



Section E
Special Sprinklers

TABLE OF CONTENTS

Institutional - VK410/VK412, 5.6 (81) K factor, flush pendent / flush horizontal sidewall.....	E-1
Combustible Interstitial Space - VK900, 4.2 (60) K factor, COIN [®] , upright.....	E-1
Small Frame - upright / pendent / horizontal sidewall / vertical sidewall.....	E-2
Special Response - 5.6 (81) / 8.0 (115) K factor, upright / pendent / conventional	E-3


Notes


1. All sprinklers in this section are available with three wraps of Teflon[®] tape. Add \$1.40 to list price for each sprinkler ordered. When ordering, add a "T" to end of part number.
2. Refer to Viking technical data pages for complete product specifications. You may print or download technical data by visiting www.vikinggroupinc.com.
3. List prices effective May 3, 2010. Supersedes September 2008 list price book.
4. All sales by Viking are subject to the terms & conditions found on the last page of this book.


Teflon[®] is a registered trademark of DuPont


COIN[®] is a registered trademark of The Viking Corporation

Micromatic[®] is a registered trademark of The Viking Corporation

	Institutional² Quick Response Extended Coverage Fusible Link Flush Pendant			
	SIN: VK410 K Factor: 5.6 (81) Thread Size: 1/2 inch NPT Base Part #: 10554			
Finish	Temp	Part #	IPG	List Price
Polished Chrome	165°F	10554FC	V17.1	\$45.37
Polished Chrome	220°F	10554FF	V17.1	\$45.37
Heavy Duty Spk Wrench		08336W/B	V20	\$96.00
Light Duty Spk Wrench		10366W/B	V20	\$22.73

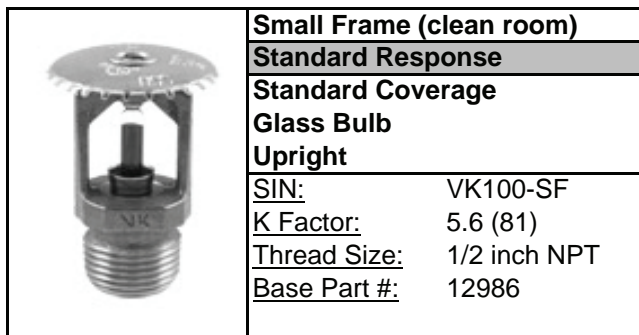
	Institutional² Quick Response Standard Coverage Fusible Link Flush Horizontal Sidewall			
	SIN: VK412 K Factor: 5.6 (81) Thread Size: 1/2 inch NPT Base Part #: 10579			
Finish	Temp	Part #	IPG	List Price
Polished Chrome	165°F	10579FC	V17.1	\$53.40
Polished Chrome	220°F ¹	10579FF	V17.1	\$53.40
Heavy Duty Spk Wrench		08336W/B	V20	\$96.00
Light Duty Spk Wrench		10366W/B	V20	\$22.73

	Institutional Escutcheon / Lock Ring Pkg³ <i>(3-1/4 inch diameter)</i>			
	Finish			
Finish	Part #	IPG	List Price	
Polished Chrome	10627F	V17.1	\$18.82	
Esc Installation Wrench	10551W/B	V20	\$32.81	
Spanner Wrench-Removal	10729	V20	\$109.38	

	Institutional Optional Retaining Flange and Screw Assembly³			
	Finish			
Finish	Part #	IPG	List Price	
Polished Chrome	10599	V17.1	\$27.51	

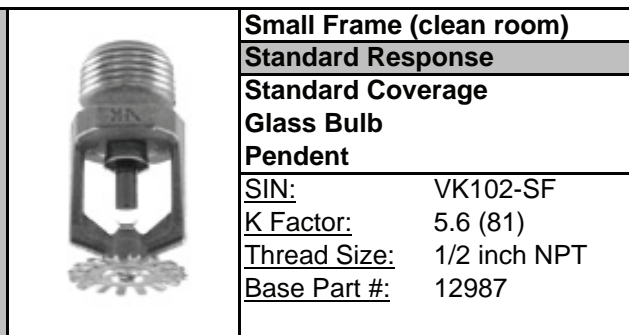
	COIN® Quick Response COmbustible INterstitial Glass Bulb Upright			
	SIN: VK900 K Factor: 4.2 (60) Thread Size: 1/2 inch NPT Base Part #: 12493			
Finish	Temp	Part #	IPG	List Price
Standard Brass	175°F	12493AD	V14.3	\$43.69
FUSIBLE LINK - VK901 (4.2 (60) K Factor)				
Standard Brass	205°F	12676AE	V14.3	\$48.17
Std Sprinkler Wrench		10896W/B	V20	\$49.85

- (1) 220°F institutional flush sidewall is not listed or approved.
- (2) For institutional sprinklers, once lock ring is installed and escutcheon is threaded, the escutcheon cannot be removed without damage to the sprinkler or escutcheon.
- (3) Institutional sprinklers and escutcheon/lock ring packages are sold separately.



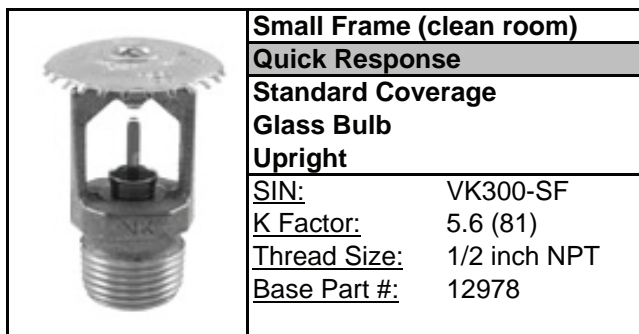
Small Frame (clean room)	
Standard Response	
Standard Coverage	
Glass Bulb	
Upright	
SIN:	VK100-SF
K Factor:	5.6 (81)
Thread Size:	1/2 inch NPT
Base Part #:	12986

Finish ¹	Temp	Part #	IPG	List Price
Standard Brass	155°F	12986AB	V01	\$16.21
Standard Brass	175°F	12986AD	V01	\$16.21
Standard Brass	200°F	12986AE	V01	\$16.21
Standard Brass	286°F	12986AG	V01	\$16.21
Chrome	155°F	12986FB	V02	\$20.87
Chrome	175°F	12986FD	V02	\$20.87
Chrome	200°F	12986FE	V02	\$20.87
Chrome	286°F	12986FG	V02	\$20.87
Std Sprinkler Wrench		10896W/B	V20	\$49.85



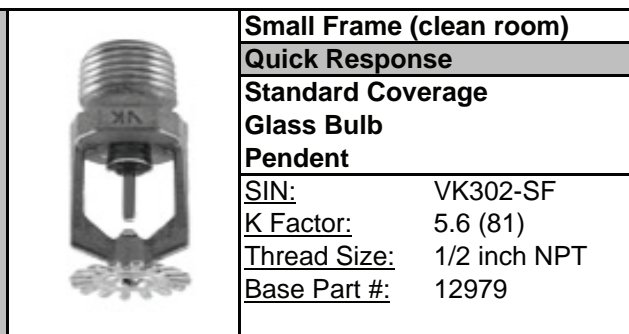
Small Frame (clean room)	
Standard Response	
Standard Coverage	
Glass Bulb	
Pendent	
SIN:	VK102-SF
K Factor:	5.6 (81)
Thread Size:	1/2 inch NPT
Base Part #:	12987

Finish ¹	Temp	Part #	IPG	List Price
Standard Brass	155°F	12987AB	V01	\$16.21
Standard Brass	175°F	12987AD	V01	\$16.21
Standard Brass	200°F	12987AE	V01	\$16.21
Standard Brass	286°F	12987AG	V01	\$16.21
Chrome	155°F	12987FB	V03	\$19.60
Chrome	175°F	12987FD	V03	\$19.60
Chrome	200°F	12987FE	V03	\$19.60
Chrome	286°F	12987FG	V03	\$19.60
Std Sprinkler Wrench		10896W/B	V20	\$49.85
Wrench Rcsd w/Caps		12144W/B	V20	\$101.92



Small Frame (clean room)	
Quick Response	
Standard Coverage	
Glass Bulb	
Upright	
SIN:	VK300-SF
K Factor:	5.6 (81)
Thread Size:	1/2 inch NPT
Base Part #:	12978

Finish ¹	Temp	Part #	IPG	List Price
Standard Brass	135°F	12978AA	V13	\$32.31
Standard Brass	155°F	12978AB	V13	\$32.31
Standard Brass	175°F	12978AD	V13	\$32.31
Standard Brass	200°F	12978AE	V13	\$32.31
Standard Brass	286°F	12978AG	V13	\$32.31
Chrome	135°F	12978FA	V13.1	\$34.95
Chrome	155°F	12978FB	V13.1	\$34.95
Chrome	175°F	12978FD	V13.1	\$34.95
Chrome	200°F	12978FE	V13.1	\$34.95
Chrome	286°F	12978FG	V13.1	\$34.95
Std Sprinkler Wrench		10896W/B	V20	\$49.85




Small Frame (clean room)	
Quick Response	
Standard Coverage	
Glass Bulb	
Pendent	
SIN:	VK302-SF
K Factor:	5.6 (81)
Thread Size:	1/2 inch NPT
Base Part #:	12979

Finish ¹	Temp	Part #	IPG	List Price
Standard Brass	135°F	12979AA	V13	\$32.31
Standard Brass	155°F	12979AB	V13	\$32.31
Standard Brass	175°F	12979AD	V13	\$32.31
Standard Brass	200°F	12979AE	V13	\$32.31
Standard Brass	286°F	12979AG	V13	\$32.31
Chrome	135°F	12979FA	V13.1	\$34.95
Chrome	155°F	12979FB	V13.1	\$34.95
Chrome	175°F	12979FD	V13.1	\$34.95
Chrome	200°F	12979FE	V13.1	\$34.95
Chrome	286°F	12979FG	V13.1	\$34.95
Std Sprinkler Wrench		10896W/B	V20	\$49.85
Wrench for Recessed		13577W/B	V20	\$87.41


Additional Small Frame Sprinklers (contact customer service for price and availability)				
SIN	K factor	Description	Base p/n	
VK001-SF	2.8 (40)	SR, Upright, G Bulb	13006	
VK003-SF	2.8 (40)	SR, Pendent, G Bulb	12994	
VK108-SF	5.6 (81)	SR, Upright, F Link	12973	
VK110-SF	5.6 (81)	SR, Pendent, F Link	12972	
VK325-SF	2.8 (40)	QR, Upright, G Bulb	12980	
VK329-SF	2.8 (40)	QR, Pendent, G Bulb	12981	
Std Sprinkler Wrench		10896W/B	V20	\$49.85
Wrench for Recessed		13577W/B	V20	\$92.65
SIN	K factor	Description	Base p/n	
VK104-SF	5.6 (81)	SR, H. Sidewall, G Bulb	12995	
VK106-SF	5.6 (81)	SR, V. Sidewall, G Bulb	12996	
VK112-SF	5.6 (81)	SR, H. Sidewall, F Link	12974	
VK305-SF	5.6 (81)	QR, H. Sidewall, G Bulb	12997	
VK304-SF	5.6 (81)	QR, H. Sidewall, G Bulb	12982	
Std Sprinkler Wrench		10896W/B	V20	\$49.85
Wrench for Recessed		13577W/B	V20	\$92.65

(1) Small Frame (clean room) sprinklers are available in additional finishes and temperatures (up to and including 500°F).



Micromatic® Model M	
Special Response	
Standard Coverage	
Glass Bulb	
Upright	
SIN:	VK138
K Factor:	5.6 (81)
Thread Size:	1/2 inch NPT
Base Part #:	09226

Finish	Temp	Part #	IPG	List Price
Standard Brass	155°F	09226AB	V12	\$16.95
Standard Brass	175°F	09226AD	V12	\$16.95
Standard Brass	200°F	09226AE	V12	\$16.95
Standard Brass	286°F	09226AG	V12	\$16.95
Chrome	155°F	09226FB	V12	\$19.73
Chrome	175°F	09226FD	V12	\$19.73
Chrome	200°F	09226FE	V12	\$19.73
Chrome	286°F	09226FG	V12	\$19.73
VK030 - 4.2 (61) K Factor - Upright - 1/2" NPT				
Standard Brass	155°F	09284AB	V12	\$19.61
VK210 - 8.0 (115) K Factor - Upright - 3/4" NPT				
Standard Brass	155°F	09227AB	V12	\$19.61
VK214 - 8.0 (115) K Factor - Conventional - 3/4" NPT				
Standard Brass	155°F	09229AB	V12	\$19.61
Std Sprinkler Wrench		10896W/B	V20	\$49.85



Micromatic® Model M	
Special Response	
Standard Coverage	
Glass Bulb	
Pendent	
SIN:	VK134
K Factor:	5.6 (81)
Thread Size:	1/2 inch NPT
Base Part #:	09224

Finish	Temp	Part #	IPG	List Price
Standard Brass	155°F	09224AB	V12	\$16.95
Standard Brass	175°F	09224AD	V12	\$16.95
Standard Brass	200°F	09224AE	V12	\$16.95
Standard Brass	286°F	09224AG	V12	\$16.95
Chrome	155°F	09224FB	V12	\$19.73
Chrome	175°F	09224FD	V12	\$19.73
Chrome	200°F	09224FE	V12	\$19.73
Chrome	286°F	09224FG	V12	\$19.73
VK032 - 4.2 (61) K Factor - Pendent - 1/2" NPT				
Standard Brass	155°F	09285AB	V12	\$19.61
VK212 - 8.0 (115) K Factor - Pendent - 3/4" NPT				
Standard Brass	155°F	09228AB	V12	\$19.61
Std Sprinkler Wrench		10896W/B	V20	\$49.85
Wrench RcSD w/Caps		12144W/B	V20	\$101.92
Wrench for RcSD w/Shield		13577W/B	V20	\$92.65

NOTE - Special response sprinklers are not cULus Listed or FM Approved
Contact customer service for price and availability