



Section L
Wet Pipe Systems

TABLE OF CONTENTS

Easy Riser® System L-1
Alarm Check Valve / Trim L-2
Special Valves and Trim (Halar® coated valves, brass trim, etc.) L-3
Components and Accessories L-4
ESFR Cold Storage System..... L-5 – L-6
Alarm Devices..... L-7

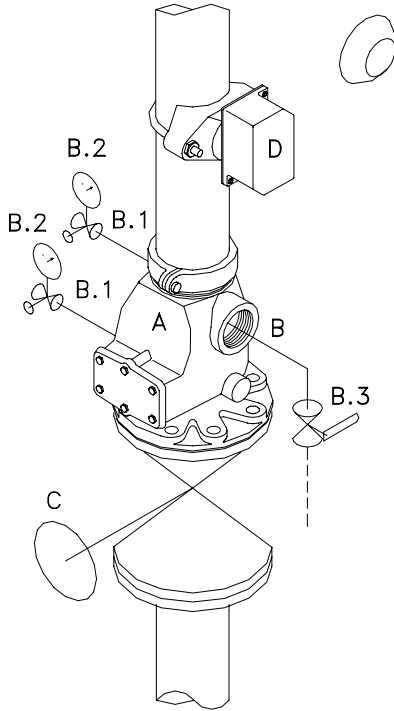
EasyPac™ Riser Assemblies (L.2) – Residential, Commercial, & Floor Control..... L-8 – L-19

Notes

1. Refer to Viking technical data pages for complete product specifications. You may print or download technical data by visiting www.vikinggroupinc.com.
2. List prices effective May 3, 2010. Supersedes September 2008 list price book.
3. All sales by Viking are subject to the terms & conditions found on the last page of this book.

Easy Riser® is a registered trademark of The Viking Corporation

Model F-1 Easy Riser® System



Description

- A - Model F-1 Easy Riser® Swing Check Valve
- B - Model F-1 Easy Riser® Trim Including:
 - B.1 - Side Outlet Globe Valve for Gauges
 - B.2 - Water Gauge
 - B.3 - Ball Valve
- C - Water Supply Control Valve
- D - Waterflow Indicator
- E - Electric Alarm Bell

* Trims include indented items immediately following.

Flange / Flange (Model F-1) - Easy Riser® Swing Check Valve

Size	Valve (only)	Loose Trim (galvanized)	Valve/Trim (pre-trimmed)
IPG	V25.3	V25.3A	V25.3B
3"	08505 - \$748.43	07236 - \$368.86	08505PT - \$1,372.29
4"	08508 - \$771.15	07237 - \$389.91	08508PT - \$1,416.06
6"	08511 - \$1,271.50	07237 - \$389.91	08511PT - \$1,916.41

Flange / Groove (Model F-1) - Easy Riser® Swing Check Valve

Size	Valve (only)	Loose Trim (galvanized)	Valve/Trim (pre-trimmed)
IPG	V25.3	V25.3A	V25.3B
3"	08506 - \$634.75	07236 - \$368.86	08506PT - \$1,258.61
4"	08509 - \$653.34	07237 - \$389.91	08509PT - \$1,298.25
6"	08512 - \$1,081.27	07237 - \$389.91	08512PT - \$1,726.19
8"	08515 - \$2,040.58	07237 - \$389.91	08515PT - \$2,685.50

Groove / Groove (Model E-1 / F-1) - Easy Riser® Swing Check Valve

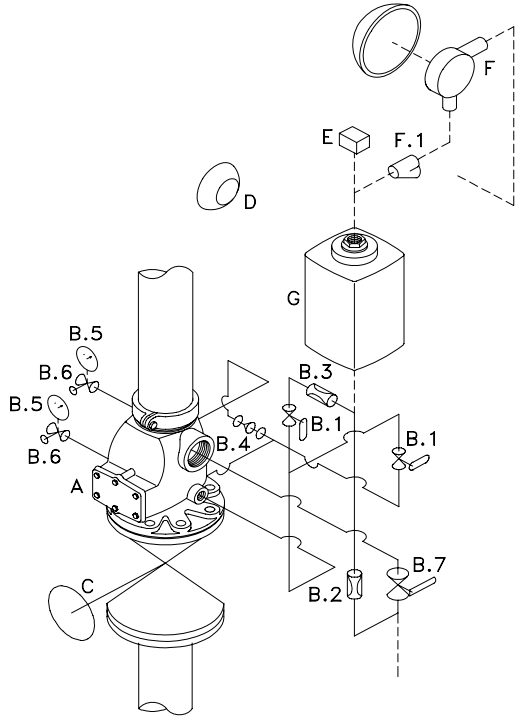
Size	Valve (only)	Loose Trim (galvanized)	Valve/Trim (pre-trimmed)
IPG	V25.3	V25.3A	V25.3B
2-1/2"	07929 - \$539.61	07236 - \$368.86	07929PT - \$1,163.47
3"	08507 - \$539.61	07236 - \$368.86	08507PT - \$1,163.47
4"	08510 - \$539.61	07237 - \$389.91	08510PT - \$1,184.53
6"	08513 - \$998.59	07237 - \$389.91	08513PT - \$1,643.50
8"	08516 - \$1,885.56	07237 - \$389.91	08516PT - \$2,530.47

* See page L-3 for special valve and trim options, including domestic, brass, and horizontal trim offerings.

Selected Additional Valves and Components (See pages L-4 and L-5 for complete listing)

In-Line Check Valves (Threaded)		Model M-2 Swing Check Valve		Automatic Ball Drip (Model B-1)	
					
Model K-1 (threaded) 1½" 10659 \$443.63 2" 10667 \$512.92		4" / DN100 12337 \$265.04		½" / DN15 IPG V25.1 04292B \$36.88	
Model L-1 (grooved) 1½" 11054 \$443.63 2" 11059 \$512.92 IPG V25.3C		In-Line Check Valve Trim (1-1/2 & 2") Model K-1 / L-1 IPG V25.3A 1½" and 2" 12960 \$147.24		Air Vent Assembly (Model AV-1)  Model AV-1 IPG V25.1 13495 \$864.80	

Model J-1 Alarm Check Valve



Description

- A Model J-1 Alarm Check Valve
- B Model J-1 Alarm Valve Trim including:
 - B.1 Alarm Test and Shut-Off Valves
 - B.2 1/8" / 3mm Restricted Orifice
 - B.3 7/32" / 5mm Restricted Orifice
 - B.4 3/4" / DN20 Check Valve
 - B.5 Water Gauge
 - B.6 Side Outlet Globe Valve for Gauges
 - B.7 Ball Valve
- C Water Supply Control Valve
- D Electric Alarm Bell
- E Alarm Pressure Switch
- F Model F-2 Water Motor Alarm including:
 - F.1 3/4" / DN20 Alarm Line Y Strainer
- G Model C-1 Retarding Chamber (NOT INCLUDED IN TRIM)
- H Circuit Closer Vent Trim (Not Shown)

* Trims include indented items immediately following.

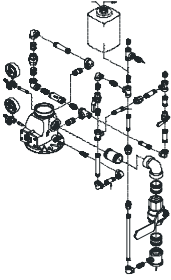
Flange / Flange (Model J-1) - Alarm Check Valve			
Size	Valve (only)	Loose Trim (galvanized)	Valve/Trim (pre-trimmed)
IPG	V26	V26.A	V26
3"	08235 - \$1,281.42	08633 - \$767.21	08235PT - \$2,303.63
4"	08238 - \$1,281.42	08634 - \$813.56	08238PT - \$2,349.98
6"	08241 - \$1,601.79	08635 - \$813.56	08241PT - \$2,670.35
8"	08244 - \$2,215.11	08636 - \$813.56	08244PT - \$3,283.67
Flange / Groove (Model J-1) - Alarm Check Valve			
Size	Valve (only)	Loose Trim (galvanized)	Valve/Trim (pre-trimmed)
IPG	V26	V26.A	V26
3"	08236 - \$1,281.42	08633 - \$767.21	08236PT - \$2,303.63
4"	08239 - \$1,281.42	08634 - \$813.56	08239PT - \$2,349.98
6"	08242 - \$1,601.79	08635 - \$813.56	08242PT - \$2,670.35
8"	08245 - \$2,215.11	08636 - \$813.56	08245PT - \$3,283.67
Groove / Groove (Model J-1) - Alarm Check Val ##			
Size	Valve (only)	Loose Trim (galvanized)	Valve/Trim (pre-trimmed)
IPG	V26	V26.A	V26
3"	08237 - \$1,209.77	08633 - \$767.21	08237PT - \$2,231.98
4"	08240 - \$1,209.77	08634 - \$813.56	08240PT - \$2,278.34
6"	08243 - \$1,431.07	08635 - \$813.56	08243PT - \$2,499.62
8"	08246 - \$1,974.83	08636 - \$813.56	08246PT - \$3,043.39

* See page L-3 for special valve and trim options, including domestic, brass, and horizontal trim offerings.

Selected Additional Valves and Components (See pages L-4 and L-5 for complete listing)			
<p>Model C-1 Retard Chamber (not in trim)</p> <p>Model C-1 IPG V25.1 05904B \$478.44</p>	<p>EPP Alarm Valve Trim IPG V26.B</p> <p>(for use with excess pressure pump)</p>		<p>Pressure Relief Valve (175 psi)</p> <p>1/2" (DN15) IPG V25.1 7000050-175 \$34.13</p>
	<p>Water Motor Alarm</p> <p>Model F-2 IPG V25.1 07862 \$649.12</p>	<p>3" (DN80) 10854 \$845.65</p> <p>4" (DN100) 10855 \$955.34</p> <p>6" (DN150) 10856 \$955.34</p> <p>8" (DN200) 10857 \$955.34</p>	<p>Circuit Closer Vent Trim IPG V26.B</p> <p>01973A \$100.35</p> <p><i>Domestic</i></p> <p>01973AUSA \$133.80</p>

Special Valves and Trim

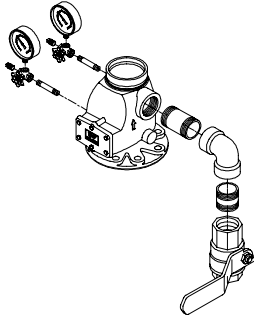
DOMESTIC¹ TRIM (Vertical/Galvanized) - Model J-1 Alarm Check Valve



Size	Trim (loose)	
IPG	V26.B	
3"	08633USA	\$1,022.94
4"	08634USA	\$1,085.41
6"	08635USA	\$1,085.41
8"	08636USA	\$1,085.41

(1) Meets sourcing requirements of the Buy American Act, American Reinvestment and Recovery Act, and the Buy American Law. Contact customer service for availability.

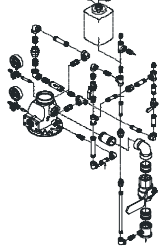
BRASS TRIM - Model E-1/F-1 Easy Riser® System



*2-1/2 - 6 inch trim shown

Size	Trim (loose)	
IPG	V25.3A	
Model K-1/L-1 In-line Check Valve		
1-1/2"	12960-1	\$248.94
2"	12960-1	\$248.94
Model E-1/F-1 Easy Riser® Valve		
2-1/2"	07236-1	\$623.57
3"	07236-1	\$623.57
4"	07237-1	\$659.17
6"	07237-1	\$659.17
8"	07237-1	\$659.17

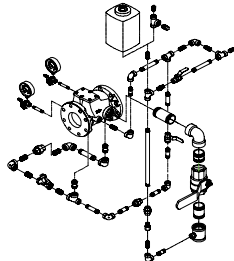
BRASS TRIM (Vertical) - Model J-1 Alarm Check Valve



Size	Trim (loose)	
IPG	V26.B	
3"	11428	\$1,329.48
4"	11429	\$1,551.39
6"	11430	\$1,627.98
8"	11431	\$1,627.98

*Retard chamber not included in trim (order separately - see page L-4)

BRASS TRIM (Horizontal) - Model J-1 Alarm Check Valve



Size	Trim (loose)	
IPG	V26.B	
3"	11432	\$1,376.60
4"	11433	\$1,629.94
6"	11434	\$1,663.34
8"	11435	\$1,663.34

*Retard chamber not included in trim (order separately - see page L-4)

GALVANIZED TRIM (Horizontal) - Model J-1 Alarm Check Valve

Size	Trim (loose)	
IPG	V26.B	
3"	08763	\$817.72
4"	08765	\$838.85
6"	08767	\$880.38
8"	08769	\$880.38

*Retard chamber not included in trim (order separately - see page L-4)

Additional Valves, Trim, and Components

Model D-1 / G-1 Swing Check Valve



Size	Flange / Flange	Groove / Groove	
IPG	V25.3	V25.3	
2-1/2"		05497C	\$378.36
3"		08536	\$378.37
4"	08538 \$868.33	08539	\$378.37
6"	08542 \$1,420.36	08543	\$903.49
8"	08546 \$2,431.35	08547	\$1,819.38

<p>In-Line Check Valves (Threaded)</p> <p><u>Model K-1 (threaded)</u> 1 1/2" 10659 \$443.63 2" 10667 \$512.92</p> <p><u>Model L-1 (grooved)</u> 1 1/2" 11054 \$443.63 2" 11059 \$512.92</p> <p>IPG V25.3C</p>	<p>Model M-2 Swing Check Valve</p> <p>4" / DN100 IPG V25.3 12337 \$265.04</p>	<p>Automatic Ball Drip (Model B-1)</p> <p>1/2" / DN15 IPG V25.1 04292B \$36.88</p>
<p>In-Line Check Valve Trim (1-1/2" - 2")</p> <p><u>Model L-1 / K-1</u> 12960 \$147.24</p> <p>IPG V25.3A</p>	<p>Circuit Closer Vent Trim IPG V26.B</p> <p><u>Standard</u> 01973A \$100.35</p> <p><u>Domestic</u> 01973AUSA \$133.80</p> <p>Model C-1 Retard Chamber (not in trim)</p> <p><u>Model C-1</u> IPG V25.1 05904B \$478.44</p>	<p>EPP Alarm Valve Trim IPG V26.B</p> <p>(for use with excess pressure pump)</p> <p>3" (DN80) 10854 \$845.65 4" (DN100) 10855 \$955.34 6" (DN150) 10856 \$955.34 8" (DN200) 10857 \$955.34</p>

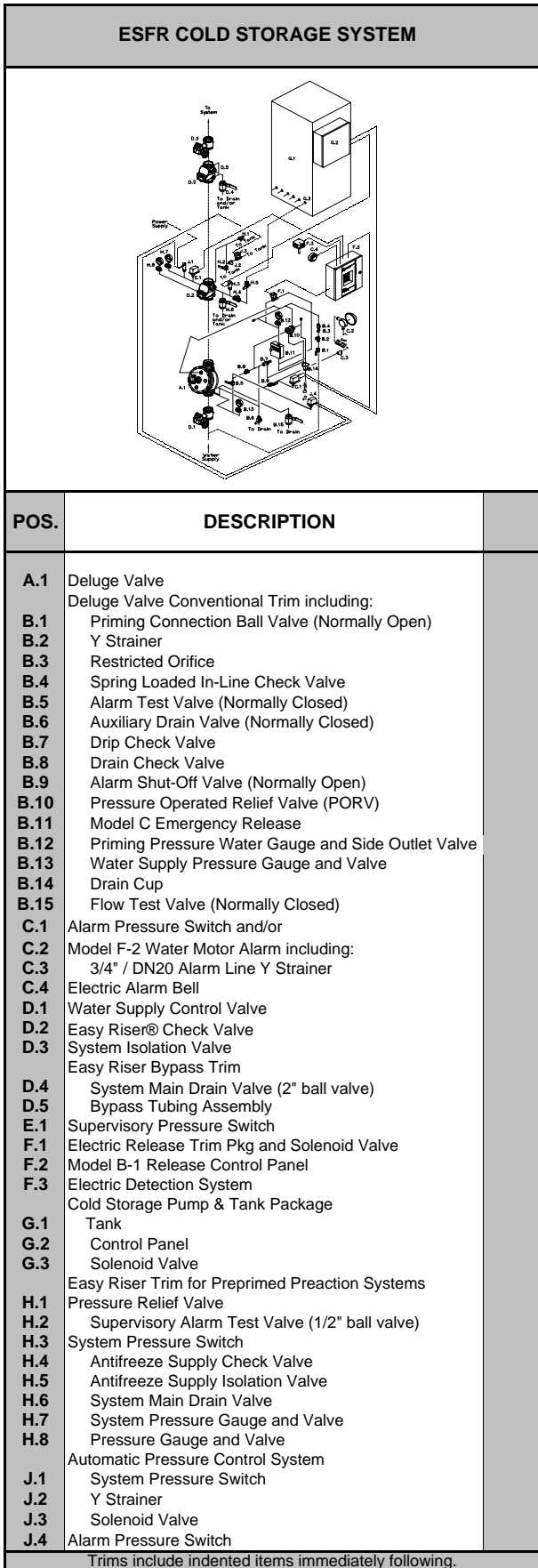
Accessories (Included in Alarm Valve Trim) - IPG V25.1

<p>Water Gauge</p> <p>0-300 psi 1/4" VWATERSF \$21.04</p>	<p>Alarm Test/Alarm Shut-Off Valve</p> <p>Main Drain Valve (ball valve)</p> <table border="1"> <thead> <tr> <th>size</th> <th>part no.</th> <th>list price</th> </tr> </thead> <tbody> <tr> <td>1/2"</td> <td>10355</td> <td>\$33.95</td> </tr> <tr> <td>3/4"</td> <td>09862</td> <td>\$38.99</td> </tr> <tr> <td>1"</td> <td>10356</td> <td>\$50.37</td> </tr> <tr> <td>1-1/4"</td> <td>09863</td> <td>\$90.00</td> </tr> <tr> <td>2"</td> <td>09864</td> <td>\$151.15</td> </tr> </tbody> </table>	size	part no.	list price	1/2"	10355	\$33.95	3/4"	09862	\$38.99	1"	10356	\$50.37	1-1/4"	09863	\$90.00	2"	09864	\$151.15	<p>Restricted Orifice</p> <p>1/8" / 3mm Restricted Orifice 1/2" / DN15 06555A \$20.85</p> <p>7/32" / 5mm Restricted Orifice 1/2" / DN15 06980A \$18.34</p> <p>3/8" / 9.5mm Restricted Orifice 3/4" / DN20 10912 \$18.50</p> <p>7/16" / 11.1mm Restricted Orifice 3/4" CCC 12831 \$33.46</p>
size	part no.	list price																		
1/2"	10355	\$33.95																		
3/4"	09862	\$38.99																		
1"	10356	\$50.37																		
1-1/4"	09863	\$90.00																		
2"	09864	\$151.15																		
<p>Globe Valve for Gauges</p> <p><u>Side Outlet</u> 1/4" 76V-25 \$17.30</p>																				
<p>Check Valve</p> <p>3/4" 10870 \$105.40 1" FBV3-0100 \$37.92</p>																				

Optional Accessories - IPG V25.1

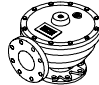




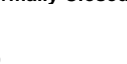
<p>Air Vent Assembly (Model AV-1)</p> <p><u>Model AV-1</u> 13495 \$864.80</p>	<p>Air Vent (ONLY)</p> <p><u>Model AV-1</u> 1 1/2" 13494 \$753.67</p>	<p>Pressure Relief Valve (175 psi)</p> <p>1/2" (DN15) 7000050-175 \$34.13</p>
--	--	--

ESFR Cold Storage System

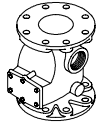
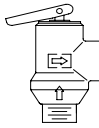
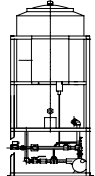
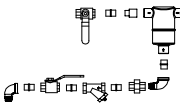



POS.	DESCRIPTION
A.1	Deluge Valve
B.1	Deluge Valve Conventional Trim including:
B.2	Priming Connection Ball Valve (Normally Open)
B.3	Y Strainer
B.4	Restricted Orifice
B.5	Spring Loaded In-Line Check Valve
B.6	Alarm Test Valve (Normally Closed)
B.7	Auxiliary Drain Valve (Normally Closed)
B.8	Drip Check Valve
B.9	Drain Check Valve
B.10	Alarm Shut-Off Valve (Normally Open)
B.11	Pressure Operated Relief Valve (PORV)
B.12	Model C Emergency Release
B.13	Priming Pressure Water Gauge and Side Outlet Valve
B.14	Water Supply Pressure Gauge and Valve
B.15	Drain Cup
C.1	Flow Test Valve (Normally Closed)
C.2	Alarm Pressure Switch and/or
C.3	Model F-2 Water Motor Alarm including:
C.4	3/4" / DN20 Alarm Line Y Strainer
D.1	Electric Alarm Bell
D.2	Water Supply Control Valve
D.3	Easy Riser® Check Valve
D.4	System Isolation Valve
D.5	Easy Riser Bypass Trim
E.1	System Main Drain Valve (2" ball valve)
F.1	Bypass Tubing Assembly
F.2	Supervisory Pressure Switch
F.3	Electric Release Trim Pkg and Solenoid Valve
G.1	Model B-1 Release Control Panel
G.2	Electric Detection System
G.3	Cold Storage Pump & Tank Package
H.1	Tank
H.2	Control Panel
H.3	Solenoid Valve
H.4	Easy Riser Trim for Preprimed Preaction Systems
H.5	Pressure Relief Valve
H.6	Supervisory Alarm Test Valve (1/2" ball valve)
H.7	System Pressure Switch
H.8	Antifreeze Supply Check Valve
J.1	Antifreeze Supply Isolation Valve
J.2	System Main Drain Valve
J.3	System Pressure Gauge and Valve
J.4	Pressure Gauge and Valve
	Automatic Pressure Control System
	System Pressure Switch
	Y Strainer
	Solenoid Valve
	Alarm Pressure Switch

Trims include indented items immediately following.

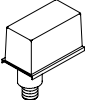

DESCRIPTION	NOMINAL SIZE	PART NUMBER	LIST PRICE (each)
ESFR COLD STORAGE SYSTEM			
Deluge Valve Angle Style			
Rated to 250 psi (1 724 kPa)			
Flange/Flange		Painted Red	
		Model E-1	
	<u>Flange Drilling</u>	4"	05909C 3,549.63
	ANSI	6"	05906C 4,855.24
	PN10/16	DN100	08629 3,549.63
	PN10/16	DN150	08631 4,855.24
Flange/Groove		Model E-1	
	<u>Flange Drilling / Pipe O.D.</u>	4"	05839C 3,549.63
	ANSI / 114mm	6"	05456C 4,855.24
	ANSI / 168mm	DN100	09540 3,549.63
	PN10/16 / 114mm	DN150	05456C 4,855.24
	PN10/16 / 168mm		
Straight Through			
Flange/Flange		Model F-1	
	<u>Flange Drilling</u>	4"	11953 3,483.90
	ANSI	6"	11955 4,765.33
	ANSI	8"	11991 10,794.06
	PN10/16	DN100	11965 3,483.90
	PN10/16	DN150	11956 4,765.33
	PN10	DN200	11995 10,794.06
	PN16	DN200	11999 10,794.06
Flange/Groove		Model F-1	
	<u>Flange Drilling / Pipe O.D.</u>	4"	11952 3,483.90
	ANSI / 114mm	6"	11954 4,765.33
	ANSI / 168mm	DN100	11958 3,483.90
	PN10/16 / 114mm	DN150	12640 4,765.33
	PN10/16 / 165mm	DN150	11954 4,765.33
	PN10/16 / 168mm		
Groove/Groove		Model F-1	
	<u>Pipe O.D.</u>	4" / DN100	11513 3,483.90
	114mm	DN150	11910 4,765.33
	165mm	6" / DN150	11524 4,765.33
	168mm	8" / DN200	11018 10,794.06
	219mm		
V25.4			
CONVENTIONAL DELUGE VALVE TRIM			
Includes Deluge Valve Accessory Package			
Rated to 250 psi (1 724 kPa)			
Use with Angle Style Valves			
	Galvanized		
	4" / DN100	14632-1	2,300.64
	6" / DN150	14633-1	2,306.02
Use with Straight Through Valves			
	Galvanized		
	Hoz. 4" / DN100	14638-1	2,258.04
	6" / DN150	14640-1	2,263.32
	8" / DN200	14643-1	3,278.53
	Vert. 4" / DN100	14639-1	2,258.04
	6" / DN150	14641-1	2,263.32
	8" / DN200	14642-1	3,278.53
V25.4A			
RELEASE TRIM PACKAGES			
	Galvanized		
	Electric	10830	65.30
V25.5B			
SOLENOID VALVES			
Rated to 250 psi (1 724 kPa)			
Normally Closed			
	NEMA 1,2,3,3S,4,4X	1/2" / DN15 24 VDC	11601 609.12
V29			

ESFR Cold Storage System

DESCRIPTION	NOMINAL SIZE	PART NUMBER	LIST PRICE (each)	DESCRIPTION	THREAD SIZE	BASE PART NUMBER	LIST PRICE (each)					
Rated to 250 psi (1 724 kPa)												
EASY RISER® SWING CHECK VALVE Flange/Flange 	Flange Drilling		Model F-1		Select Relief Valve 10 psi higher than static pressure at valve. 175 PSI 185 PSI 195 PSI 200 PSI 205 PSI	7000050-175 7000050-185 7000050-195 7000050-200 7000050-205	34.13 34.13 34.13 34.13 34.13					
	ANSI	4"	08508					771.16				
	ANSI	6"	08511					1,271.50				
	PN10/16	DN100	08797					786.14				
	PN10/16	DN150	08835					1,296.18				
	PN10	DN200	08836					2,478.55				
	PN16	DN200	12355					2,478.55				
	Flange/Groove							COLD STORAGE PUMP AND TANK PACKAGE Includes: - Tank 65 gal (246 l) for up to 2 risers 160 gal (606 l) for 3 risers and above - Solenoid Valve(s) - Control Panel with PLC options and relays, as required 				
	Flange Drilling / Pipe O.D.		Model F-1									
	ANSI / 114mm	4"	08509									653.34
ANSI / 168mm	6"	08512	1,081.28									
ANSI / 219mm	8"	08515	2,040.59									
PN10/16 / 114mm	DN100	12649	653.34									
PN10/16 / 165mm	DN150	12652	1,081.28									
PN10 / 219mm	DN200	12651	2,040.59									
PN16 / 219mm	DN200	12650	2,040.59									
Groove/Groove												
Pipe O.D.		Model F-1										
114mm	4" / DN100	08510	539.61									
165mm	DN150	12356	998.59									
168mm	6" / DN150	08513	998.59									
219mm	8" / DN200	08516	1,885.56									
V25.3												
EASY RISER® TRIM Easy Riser Trim for preprimed preaction systems V25.3A												
4" / DN100		14032	3,482.38									
6" / DN150		14032	3,482.38									
8" / DN200		14032	3,482.38									
V25												
Easy Riser Bypass Trim		4" / DN100	14038	144.00								
		6" / DN150	14039	145.65								
		8" / DN200	14040	149.01								
V25												
PREMIXED PROPYLENE GLYCOL SOLUTION Firefighter Eliminator F For use in areas subject to a minimum temperature as low as -21°F/-29.4°C 55 Gallon (208.2 liter) Drum 275 Gallon (946.3 liter) Drum Tanker Delivery, per gallon (3.8 liter)												
		12967-55	2,284.78									
		12967-275	11,423.88									
		12967-BULK	41.55									
Firefighter Eliminator C For use in areas subject to a minimum temperature as low as 6°F/-14.5°C 55 Gallon (208.2 liter) Drum 275 Gallon (946.3 liter) Drum Tanker Delivery, per gallon (3.8 liter)												
		12968-55	1,880.28									
		12968-275	9,401.42									
		12968-BULK	34.19									
Freight Terms: FOB Spring Lake, Michigan V34												
V24.2												
ESFR PENDENT K=25.2(36,3)												
		SIN										
		VK510	1"	12080A	83.50							
		VK510	25mm (BSP)	12200A	83.50							
Available Temperatures (°F/°C): 165°/74°=C, 205°/96°=E												
V25												
Supervisory Pressure Switch, Digital Automatic Pressure Switch, Digital												
				14912								
				14912								
Pressure Switch Cable (included in Easy Riser Trim - 14032)												
				13231	106.95							
Alarm Pressure Switch V25												
				PS102A	175.92							
Supervisory Pressure Switch (included in Easy Riser Trim - 14032)												
				PS402A	175.92							
Air Vent Assembly V25.1												
			Model AV-1	13495	864.80							
												
Air Vent Valve Only V25.1												
			Model AV-1	13494	753.67							
												

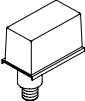

Alarm Devices

Alarm Pressure Switch - IPG V25.1

<u>Adjustable Range (4-20 psi)</u>			<u>Explosion Proof</u>		
<u>1/2" / DN50</u>			Dual SPDT	10382	\$1,020.11
Single SPDT	PS101A	\$145.62	Dual SPDT	10381*	\$1,020.11
Dual SPDT	PS102A	\$173.21	* Cenelec approved		
<u>Cover Access Key</u>			<u>Pressure Adj Access Key</u>		
	09600	\$13.27		10600	\$17.71
<u>Cover Tamper Switch Kit</u>			<u>Cover Removal Key</u>		
	09601	\$90.63		10601	\$17.71

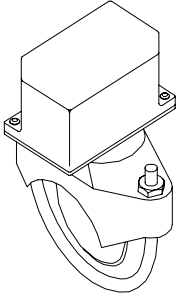
* Appropriate hex keys included with switches.

Pressure Supervisory Switch (Air, Nitrogen, Water) - IPG V25.1

<u>Adjustable Range (10-175 psi)</u>			<u>Explosion Proof</u>		
<u>1/2" / DN50</u>			Dual SPDT	10380	\$1,167.61
Single SPDT	PS401A	\$136.73	Dual SPDT	10379*	\$1,167.61
Dual SPDT	PS402A	\$162.64	* Cenelec approved		
<u>Cover Access Key</u>			<u>Pressure Adj Access Key</u>		
	09600	\$12.52		10600	\$17.71
<u>Cover Tamper Switch Kit</u>			<u>Cover Removal Key</u>		
	09601	\$85.50		10601	\$17.71

* Appropriate hex keys included with switches.

Flow Switch - SR010

<u>Waterflow Indicators</u>			
<i>(adjustable retard up to 120 sec. - 2 SPDT contacts)</i>			
<u>Model VSR</u>			
1 1/2" / DN40	VSRF0150	\$222.74	
2" / DN50	VSRF0200	\$222.74	
2 1/2" / DN65	VSRF0250	\$222.74	
3" / DN80	VSRF0300	\$222.74	
3 1/2" / DN90	VSRF0350	\$222.74	
4" / DN100	VSRF0400	\$222.74	
5" / DN125	VSRF0500	\$222.74	
6" / DN150	VSRF0600	\$222.74	
8" / DN200	VSRF0800	\$251.09	
10" / DN250	VSRF1000	\$627.02	

Water Motor Alarm and Accessories - IPG V25.1


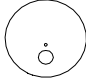
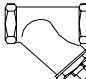
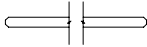

<u>Water Motor Alarm</u>		<u>Closure Plate</u>	
	<u>Model F-2</u> 07862 \$649.12		05820B \$82.19
<u>Adjustable Shaft</u>		<u>Alarm Line Y Strainer</u>	
<i>(wall thickness up to 30-1/4 in / 768 mm)</i>			
	03312B \$78.86	<u>3/4" (DN20)</u>	01489A \$119.93
<u>Extension Cup</u>			
	05957B \$65.77		



TABLE OF CONTENTS

Residential Riser Assemblies (Basic)..... L-8
Residential Riser Assemblies (TESTanDRAIN®) L-8
Residential Riser Assemblies (TESTanDRAIN® and PRV) L-9 – L-10

Commercial Riser Assemblies (Basic)L-11
Commercial Riser Assemblies (TESTanDRAIN®) L-11 – L-12
Commercial Riser Assemblies (TESTanDRAIN® and PRV) L-12 – L-14

Floor Control Assemblies (Basic).....L-15
Floor Control Assemblies (TESTanDRAIN®) L-15 – L-16
Floor Control Assemblies (TESTanDRAIN® and PRV)..... L-16 – L-18

Standpipe Assemblies.....L-19

Notes

1. List prices effective May 3, 2010. Supersedes September 2008 list price book.
2. All sales by Viking are subject to the terms & conditions found on the last page of this book.

TESTanDRAIN® is a registered trademark of AGF Manufacturing, Inc.

EasyPac™ Residential Riser Assemblies		
Basic (w/ ball valve)	TESTanDRAIN®	TESTanDRAIN® & PRV
Features and Benefits of all EasyPac™ Riser Assemblies <ul style="list-style-type: none"> - Assembled in the United States. - Made with UL listed and FM approved components. - Field replaceable parts for ease of service. - Fabricated steel riser body with black E-coat finish. - Compact, lightweight design for easy installation. - Built-in test port allows hydrostatic testing w/out draining system. - Pressure rating: 250 PSI max water working pressure. - Includes Potter® VSR flow switch 		

RESIDENTIAL - Basic (with ball valve)			
Size	Part #	IPG	List Price
Groove x Groove (schedule 10)			
1"	15243	SR307	\$627.10
1-1/4"	14841	SR307	\$600.98
1-1/2"	14843	SR307	\$641.67
2"	14845	SR307	\$653.59
Thread x Groove (schedule 40)			
1-1/4"	14905	SR307	\$615.64
1-1/2"	14849	SR307	\$646.83
2"	14846	SR307	\$658.12
Thread x Thread (schedule 40)			
1"	15226	SR307	\$601.61
1-1/4"	14840	SR307	\$601.85
1-1/2"	14842	SR307	\$643.27
2"	14844	SR307	\$655.83

RESIDENTIAL (with TESTanDRAIN®)					RESIDENTIAL (with TESTanDRAIN®)				
Size	Orifice Size	Part #	IPG	List Price	Size	Orifice Size	Part #	IPG	List Price
Groove x Groove (schedule 10)					Thread x Groove (schedule 40)				
1"	3/8" (2.8 K)	15244A	SR307	\$993.90	1-1/4"	3/8" (2.8 K)	15233A	SR307	\$1,028.31
1"	7/16" (4.2 K)	15244B	SR307	\$993.90	1-1/4"	7/16" (4.2 K)	15233B	SR307	\$1,028.31
1"	1/2" (5.6 K)	15244C	SR307	\$993.90	1-1/4"	1/2" (5.6 K)	15233C	SR307	\$1,028.31
1"	17/32" (8.0 K)	15244D	SR307	\$993.90	1-1/4"	17/32" (8.0 K)	15233D	SR307	\$1,028.31
1-1/4"	3/8" (2.8 K)	15231A	SR307	\$1,013.36	1-1/2"	3/8" (2.8 K)	15239A	SR307	\$1,019.97
1-1/4"	7/16" (4.2 K)	15231B	SR307	\$1,013.36	1-1/2"	7/16" (4.2 K)	15239B	SR307	\$1,019.97
1-1/4"	1/2" (5.6 K)	15231C	SR307	\$1,013.36	1-1/2"	1/2" (5.6 K)	15239C	SR307	\$1,019.97
1-1/4"	17/32" (8.0 K)	15231D	SR307	\$1,013.36	1-1/2"	17/32" (8.0 K)	15239D	SR307	\$1,019.97
1-1/2"	3/8" (2.8 K)	15237A	SR307	\$1,014.81	2"	3/8" (2.8 K)	15246A	SR307	\$929.34
1-1/2"	7/16" (4.2 K)	15237B	SR307	\$1,014.81	2"	7/16" (4.2 K)	15246B	SR307	\$929.34
1-1/2"	1/2" (5.6 K)	15237C	SR307	\$1,014.81	2"	1/2" (5.6 K)	15246C	SR307	\$929.34
1-1/2"	17/32" (8.0 K)	15237D	SR307	\$1,014.81	2"	17/32" (8.0 K)	15246D	SR307	\$929.34
2"	3/8" (2.8 K)	15242A	SR307	\$923.26					
2"	7/16" (4.2 K)	15242B	SR307	\$923.26					
2"	1/2" (5.6 K)	15242C	SR307	\$923.26					
2"	17/32" (8.0 K)	15242D	SR307	\$923.26					
Thread x Thread (schedule 40)									
1"	3/8" (2.8 K)	15227A	SR307	\$968.70					
1"	7/16" (4.2 K)	15227B	SR307	\$968.70					
1"	1/2" (5.6 K)	15227C	SR307	\$968.70					
1"	17/32" (8.0 K)	15227D	SR307	\$968.70					
1-1/4"	3/8" (2.8 K)	15229A	SR307	\$1,014.23					
1-1/4"	7/16" (4.2 K)	15229B	SR307	\$1,014.23					
1-1/4"	1/2" (5.6 K)	15229C	SR307	\$1,014.23					
1-1/4"	17/32" (8.0 K)	15229D	SR307	\$1,014.23					
1-1/2"	3/8" (2.8 K)	15235A	SR307	\$1,016.41					
1-1/2"	7/16" (4.2 K)	15235B	SR307	\$1,016.41					
1-1/2"	1/2" (5.6 K)	15235C	SR307	\$1,016.41					
1-1/2"	17/32" (8.0 K)	15235D	SR307	\$1,016.41					
2"	3/8" (2.8 K)	15241A	SR307	\$925.50					
2"	7/16" (4.2 K)	15241B	SR307	\$925.50					
2"	1/2" (5.6 K)	15241C	SR307	\$925.50					
2"	17/32" (8.0 K)	15241D	SR307	\$925.50					

TESTanDRAIN® is a registered trademark of AGF Manufacturing, Inc.



RESIDENTIAL (with TESTanDRAIN® and PRV)											
Size	Orifice Size	PRV ¹	Part #	IPG	List Price	Size	Orifice Size	PRV ¹	Part #	IPG	List Price
Groove x Groove (schedule 10)						Thread x Groove (schedule 10)					
1"	3/8" (2.8 K)	175	15245A175	SR307	\$1,106.64	N/A					
1"	3/8" (2.8 K)	205	15245A205	SR307	\$1,106.64						
1"	3/8" (2.8 K)	250	15245A250	SR307	\$1,106.64						
1"	7/16" (4.2 K)	175	15245B175	SR307	\$1,106.64						
1"	7/16" (4.2 K)	205	15245B205	SR307	\$1,106.64						
1"	7/16" (4.2 K)	250	15245B250	SR307	\$1,106.64						
1"	1/2" (5.6 K)	175	15245C175	SR307	\$1,106.64						
1"	1/2" (5.6 K)	205	15245C205	SR307	\$1,106.64						
1"	1/2" (5.6 K)	250	15245C250	SR307	\$1,106.64						
1"	17/32" (8.0 K)	175	15245D175	SR307	\$1,106.64						
1"	17/32" (8.0 K)	205	15245D205	SR307	\$1,106.64						
1"	17/32" (8.0 K)	250	15245D250	SR307	\$1,106.64						
1-1/4"	3/8" (2.8 K)	175	15232A175	SR307	\$1,125.82						
1-1/4"	3/8" (2.8 K)	205	15232A205	SR307	\$1,125.82						
1-1/4"	3/8" (2.8 K)	250	15232A250	SR307	\$1,125.82						
1-1/4"	7/16" (4.2 K)	175	15232B175	SR307	\$1,125.82						
1-1/4"	7/16" (4.2 K)	205	15232B205	SR307	\$1,125.82						
1-1/4"	7/16" (4.2 K)	250	15232B250	SR307	\$1,125.82						
1-1/4"	1/2" (5.6 K)	175	15232C175	SR307	\$1,125.82						
1-1/4"	1/2" (5.6 K)	205	15232C205	SR307	\$1,125.82						
1-1/4"	1/2" (5.6 K)	250	15232C250	SR307	\$1,125.82						
1-1/4"	17/32" (8.0 K)	175	15232D175	SR307	\$1,125.82						
1-1/4"	17/32" (8.0 K)	205	15232D205	SR307	\$1,125.82						
1-1/4"	17/32" (8.0 K)	250	15232D250	SR307	\$1,125.82						
1-1/2"	3/8" (2.8 K)	175	15238A175	SR307	\$1,127.27						
1-1/2"	3/8" (2.8 K)	205	15238A205	SR307	\$1,127.27						
1-1/2"	3/8" (2.8 K)	250	15238A250	SR307	\$1,127.27						
1-1/2"	7/16" (4.2 K)	175	15238B175	SR307	\$1,127.27						
1-1/2"	7/16" (4.2 K)	205	15238B205	SR307	\$1,127.27						
1-1/2"	7/16" (4.2 K)	250	15238B250	SR307	\$1,127.27						
1-1/2"	1/2" (5.6 K)	175	15238C175	SR307	\$1,127.27						
1-1/2"	1/2" (5.6 K)	205	15238C205	SR307	\$1,127.27						
1-1/2"	1/2" (5.6 K)	250	15238C250	SR307	\$1,127.27						
1-1/2"	17/32" (8.0 K)	175	15238D175	SR307	\$1,127.27						
1-1/2"	17/32" (8.0 K)	205	15238D205	SR307	\$1,127.27						
1-1/2"	17/32" (8.0 K)	250	15238D250	SR307	\$1,127.27						
2"	3/8" (2.8 K)	175	14900A175	SR307	\$1,152.07						
2"	3/8" (2.8 K)	205	14900A205	SR307	\$1,152.07						
2"	3/8" (2.8 K)	250	14900A250	SR307	\$1,152.07						
2"	7/16" (4.2 K)	175	14900B175	SR307	\$1,152.07						
2"	7/16" (4.2 K)	205	14900B205	SR307	\$1,152.07						
2"	7/16" (4.2 K)	250	14900B250	SR307	\$1,152.07						
2"	1/2" (5.6 K)	175	14900C175	SR307	\$1,152.07						
2"	1/2" (5.6 K)	205	14900C205	SR307	\$1,152.07						
2"	1/2" (5.6 K)	250	14900C250	SR307	\$1,152.07						
2"	17/32" (8.0 K)	175	14900D175	SR307	\$1,152.07						
2"	17/32" (8.0 K)	205	14900D205	SR307	\$1,152.07						
2"	17/32" (8.0 K)	250	14900D250	SR307	\$1,152.07						
2"	3/8" (2.8 K)	175	15247A175	SR307	\$1,043.53						
2"	3/8" (2.8 K)	205	15247A205	SR307	\$1,043.53						
2"	3/8" (2.8 K)	250	15247A250	SR307	\$1,043.53						
2"	7/16" (4.2 K)	175	15247B175	SR307	\$1,043.53						
2"	7/16" (4.2 K)	205	15247B205	SR307	\$1,043.53						
2"	7/16" (4.2 K)	250	15247B250	SR307	\$1,043.53						
2"	1/2" (5.6 K)	175	15247C175	SR307	\$1,043.53						
2"	1/2" (5.6 K)	205	15247C205	SR307	\$1,043.53						
2"	1/2" (5.6 K)	250	15247C250	SR307	\$1,043.53						
2"	17/32" (8.0 K)	175	15247D175	SR307	\$1,043.53						
2"	17/32" (8.0 K)	205	15247D205	SR307	\$1,043.53						
2"	17/32" (8.0 K)	250	15247D250	SR307	\$1,043.53						




(1) Refers to factory pressure setting (psi) of pressure relief valve (PRV). See technical data page # 31 a-e for details.

TESTanDRAIN® is a registered trademark of AGF Manufacturing, Inc.

Residential (with TESTanDRAIN® and PRV)					
Size	Orifice Size	PRV ¹	Part #	IPG	List Price
Thread x Thread (schedule 40)					
1"	3/8" (2.8 K)	175	15228A175	SR307	\$1,081.16
1"	3/8" (2.8 K)	205	15228A205	SR307	\$1,081.16
1"	3/8" (2.8 K)	250	15228A250	SR307	\$1,081.16
1"	7/16" (4.2 K)	175	15228B175	SR307	\$1,081.16
1"	7/16" (4.2 K)	205	15228B205	SR307	\$1,081.16
1"	7/16" (4.2 K)	250	15228B250	SR307	\$1,081.16
1"	1/2" (5.6 K)	175	15228C175	SR307	\$1,081.16
1"	1/2" (5.6 K)	205	15228C205	SR307	\$1,081.16
1"	1/2" (5.6 K)	250	15228C250	SR307	\$1,081.16
1"	17/32" (8.0 K)	175	15228D175	SR307	\$1,081.16
1"	17/32" (8.0 K)	205	15228D205	SR307	\$1,081.16
1"	17/32" (8.0 K)	250	15228D250	SR307	\$1,081.16
1-1/4"	3/8" (2.8 K)	175	15230A175	SR307	\$1,126.68
1-1/4"	3/8" (2.8 K)	205	15230A205	SR307	\$1,126.68
1-1/4"	3/8" (2.8 K)	250	15230A250	SR307	\$1,126.68
1-1/4"	7/16" (4.2 K)	175	15230B175	SR307	\$1,126.68
1-1/4"	7/16" (4.2 K)	205	15230B205	SR307	\$1,126.68
1-1/4"	7/16" (4.2 K)	250	15230B250	SR307	\$1,126.68
1-1/4"	1/2" (5.6 K)	175	15230C175	SR307	\$1,126.68
1-1/4"	1/2" (5.6 K)	205	15230C205	SR307	\$1,126.68
1-1/4"	1/2" (5.6 K)	250	15230C250	SR307	\$1,126.68
1-1/4"	17/32" (8.0 K)	175	15230D175	SR307	\$1,126.68
1-1/4"	17/32" (8.0 K)	205	15230D205	SR307	\$1,126.68
1-1/4"	17/32" (8.0 K)	250	15230D250	SR307	\$1,126.68
1-1/2"	3/8" (2.8 K)	175	15236A175	SR307	\$1,128.87
1-1/2"	3/8" (2.8 K)	205	15236A205	SR307	\$1,128.87
1-1/2"	3/8" (2.8 K)	250	15236A250	SR307	\$1,128.87
1-1/2"	7/16" (4.2 K)	175	15236B175	SR307	\$1,128.87
1-1/2"	7/16" (4.2 K)	205	15236B205	SR307	\$1,128.87
1-1/2"	7/16" (4.2 K)	250	15236B250	SR307	\$1,128.87
1-1/2"	1/2" (5.6 K)	175	15236C175	SR307	\$1,128.87
1-1/2"	1/2" (5.6 K)	205	15236C205	SR307	\$1,128.87
1-1/2"	1/2" (5.6 K)	250	15236C250	SR307	\$1,128.87
1-1/2"	17/32" (8.0 K)	175	15236D175	SR307	\$1,128.87
1-1/2"	17/32" (8.0 K)	205	15236D205	SR307	\$1,128.87
1-1/2"	17/32" (8.0 K)	250	15236D250	SR307	\$1,128.87
2"	3/8" (2.8 K)	175	14901A175	SR307	\$1,159.78
2"	3/8" (2.8 K)	205	14901A205	SR307	\$1,159.78
2"	3/8" (2.8 K)	250	14901A250	SR307	\$1,159.78
2"	7/16" (4.2 K)	175	14901B175	SR307	\$1,159.78
2"	7/16" (4.2 K)	205	14901B205	SR307	\$1,159.78
2"	7/16" (4.2 K)	250	14901B250	SR307	\$1,159.78
2"	1/2" (5.6 K)	175	14901C175	SR307	\$1,159.78
2"	1/2" (5.6 K)	205	14901C205	SR307	\$1,159.78
2"	1/2" (5.6 K)	250	14901C250	SR307	\$1,159.78
2"	17/32" (8.0 K)	175	14901D175	SR307	\$1,159.78
2"	17/32" (8.0 K)	205	14901D205	SR307	\$1,159.78
2"	17/32" (8.0 K)	250	14901D250	SR307	\$1,159.78

(1) Refers to factory pressure setting (psi) of pressure relief valve (PRV). See technical data page # 31 a-e for details.

TESTanDRAIN® is a registered trademark of AGF Manufacturing, Inc.

EasyPac™ COMMERCIAL Riser Assemblies		
Basic (w/ ball valve)	TESTanDRAIN®	TESTanDRAIN® & PRV
		
<p>Features and Benefits of all EasyPac™ Riser Assemblies</p> <ul style="list-style-type: none"> - Assembled in the United States. - Made with UL listed and FM approved components. - Field replaceable parts for ease of service. - Fabricated steel riser body with black E-coat finish. - Compact, lightweight design for easy installation. - Built-in test port allows hydrostatic testing w/out draining system. - Pressure rating: 250 PSI max water working pressure. - Includes Potter® VSR flow switch 		

COMMERCIAL -Basic (with ball valve)			
Size	Part #	IPG	List Price
Groove x Groove (schedule 10)			
1-1/4"	15249	SR308	\$967.42
1-1/2"	15254	SR308	\$715.09
2"	14848	SR308	\$638.95
2-1/2"	14852	SR308	\$657.32
3"	14855	SR308	\$737.66
4"	14858	SR308	\$861.55
6"	14861	SR308	\$963.30
8"	15264	SR308	\$1,357.89
Thread x Groove (schedule 40)			
1-1/4"	15250	SR308	\$987.00
1-1/2"	15255	SR308	\$720.84
2"	15258	SR308	\$772.53
Thread x Thread (schedule 40)			
1-1/4"	15248	SR308	\$968.56
1-1/2"	15253	SR308	\$716.88
2"	14899	SR308	\$659.25

COMMERCIAL (with TESTanDRAIN®)										
Size	Orifice Size	Part #	IPG	List Price		Size	Orifice Size	Part #	IPG	List Price
Groove x Groove (schedule 10)						Groove x Groove (schedule 10)				
1-1/4"	3/8" (2.8 K)	14872A	SR308	\$1,129.30		3"	3/8" (2.8 K)	14856A	SR308	\$1,211.97
1-1/4"	7/16" (4.2 K)	14872B	SR308	\$1,129.30		3"	7/16" (4.2 K)	14856B	SR308	\$1,211.97
1-1/4"	1/2" (5.6 K)	14872C	SR308	\$1,129.30		3"	1/2" (5.6 K)	14856C	SR308	\$1,211.97
1-1/4"	17/32" (8.0 K)	14872D	SR308	\$1,129.30		3"	17/32" (8.0 K)	14856D	SR308	\$1,211.97
1-1/4"	ELO (11.2 K)	14872E	SR308	\$1,129.30		3"	ELO (11.2 K)	14856E	SR308	\$1,211.97
						3"	ESFR (14.0 K)	14856F	SR308	\$1,211.97
						3"	ESFR (25.2 K)	14856G	SR308	POA
						4"	3/8" (2.8 K)	14859A	SR308	\$1,595.52
1-1/2"	3/8" (2.8 K)	14876A	SR308	\$1,130.92		4"	7/16" (4.2 K)	14859B	SR308	\$1,595.52
1-1/2"	7/16" (4.2 K)	14876B	SR308	\$1,130.92		4"	1/2" (5.6 K)	14859C	SR308	\$1,595.52
1-1/2"	1/2" (5.6 K)	14876C	SR308	\$1,130.92		4"	17/32" (8.0 K)	14859D	SR308	\$1,595.52
1-1/2"	17/32" (8.0 K)	14876D	SR308	\$1,130.92		4"	ELO (11.2 K)	14859E	SR308	\$1,595.52
1-1/2"	ELO (11.2 K)	14876E	SR308	\$1,130.92		4"	ESFR (14.0 K)	14859F	SR308	\$1,595.52
						4"	ESFR (25.2 K)	14859G	SR308	\$1,659.77
						6"	3/8" (2.8 K)	14862A	SR308	\$1,726.20
2"	3/8" (2.8 K)	14850A	SR308	\$1,111.01		6"	7/16" (4.2 K)	14862B	SR308	\$1,726.20
2"	7/16" (4.2 K)	14850B	SR308	\$1,111.01		6"	1/2" (5.6 K)	14862C	SR308	\$1,726.20
2"	1/2" (5.6 K)	14850C	SR308	\$1,111.01		6"	17/32" (8.0 K)	14862D	SR308	\$1,726.20
2"	17/32" (8.0 K)	14850D	SR308	\$1,111.01		6"	ELO (11.2 K)	14862E	SR308	\$1,726.20
2"	ELO (11.2 K)	14850E	SR308	\$1,111.01		6"	ESFR (14.0 K)	14862F	SR308	\$1,726.20
						6"	ESFR (25.2 K)	14862G	SR308	\$1,745.63
						8"	3/8" (2.8 K)	15265A	SR308	\$2,336.06
2-1/2"	3/8" (2.8 K)	14853A	SR308	\$1,131.63		8"	7/16" (4.2 K)	15265B	SR308	\$2,336.06
2-1/2"	7/16" (4.2 K)	14853B	SR308	\$1,131.63		8"	1/2" (5.6 K)	15265C	SR308	\$2,336.06
2-1/2"	1/2" (5.6 K)	14853C	SR308	\$1,131.63		8"	17/32" (8.0 K)	15265D	SR308	\$2,336.06
2-1/2"	17/32" (8.0 K)	14853D	SR308	\$1,131.63		8"	ELO (11.2 K)	15265E	SR308	\$2,336.06
2-1/2"	ELO (11.2 K)	14853E	SR308	\$1,131.63		8"	ESFR (14.0 K)	15265F	SR308	\$2,336.06
2-1/2"	ESFR (14.0 K)	14853F	SR308	\$1,131.63		8"	ESFR (25.2 K)	15265G	SR308	\$2,336.06
2-1/2"	ESFR (25.2 K)	14853G	SR308	POA						

TESTanDRAIN® is a registered trademark of AGF Manufacturing, Inc.

COMMERCIAL (with TESTanDRAIN®)									
Size	Orifice Size	Part #	IPG	List Price	Size	Orifice Size	Part #	IPG	List Price
Thread x Groove (schedule 40)					Thread x Thread (schedule 40)				
1-1/4"	3/8" (2.8 K)	15251A	SR308	\$1,145.97	1-1/4"	3/8" (2.8 K)	14871A	SR308	\$1,130.28
1-1/4"	7/16" (4.2 K)	15251B	SR308	\$1,145.97	1-1/4"	7/16" (4.2 K)	14871B	SR308	\$1,130.28
1-1/4"	1/2" (5.6 K)	15251C	SR308	\$1,145.97	1-1/4"	1/2" (5.6 K)	14871C	SR308	\$1,130.28
1-1/4"	17/32" (8.0 K)	15251D	SR308	\$1,145.97	1-1/4"	17/32" (8.0 K)	14871D	SR308	\$1,130.28
1-1/4"	17/32" (8.0 K)	15251E	SR309	\$1,145.97	1-1/4"	17/32" (8.0 K)	14871E	SR308	\$1,130.28
1-1/2"	3/8" (2.8 K)	15256A	SR308	\$1,136.68	1-1/2"	3/8" (2.8 K)	14875A	SR308	\$1,132.71
1-1/2"	7/16" (4.2 K)	15256B	SR308	\$1,136.68	1-1/2"	7/16" (4.2 K)	14875B	SR308	\$1,132.71
1-1/2"	1/2" (5.6 K)	15256C	SR308	\$1,136.68	1-1/2"	1/2" (5.6 K)	14875C	SR308	\$1,132.71
1-1/2"	17/32" (8.0 K)	15256D	SR308	\$1,136.68	1-1/2"	17/32" (8.0 K)	14875D	SR308	\$1,132.71
1-1/2"	17/32" (8.0 K)	15256E	SR308	\$1,136.68	1-1/2"	17/32" (8.0 K)	14875E	SR308	\$1,132.71
2"	3/8" (2.8 K)	15259A	SR308	\$1,327.61	2"	3/8" (2.8 K)	14935A	SR308	\$1,131.63
2"	7/16" (4.2 K)	15259B	SR308	\$1,327.61	2"	7/16" (4.2 K)	14935B	SR308	\$1,131.63
2"	1/2" (5.6 K)	15259C	SR308	\$1,327.61	2"	1/2" (5.6 K)	14935C	SR308	\$1,131.63
2"	17/32" (8.0 K)	15259D	SR308	\$1,327.61	2"	17/32" (8.0 K)	14935D	SR308	\$1,131.63
2"	ELO (11.2 K)	15259E	SR308	\$1,327.61	2"	ELO (11.2 K)	14935E	SR308	\$1,131.63

COMMERCIAL (with TESTanDRAIN® and PRV)											
Size	Orifice Size	PRV ¹	Part #	IPG	List Price	Size	Orifice Size	PRV ¹	Part #	IPG	List Price
Groove x Groove (schedule 10)						Groove x Groove (schedule 10)					
1-1/4"	3/8" (2.8 K)	175	14874A175	SR308	\$1,254.64	2"	3/8" (2.8 K)	175	14851A175	SR308	\$1,238.58
1-1/4"	3/8" (2.8 K)	205	14874A205	SR308	\$1,254.64	2"	3/8" (2.8 K)	205	14851A205	SR308	\$1,238.58
1-1/4"	3/8" (2.8 K)	250	14874A250	SR308	\$1,254.64	2"	3/8" (2.8 K)	250	14851A250	SR308	\$1,238.58
1-1/4"	7/16" (4.2 K)	175	14874B175	SR308	\$1,254.64	2"	7/16" (4.2 K)	175	14851B175	SR308	\$1,238.58
1-1/4"	7/16" (4.2 K)	205	14874B205	SR308	\$1,254.64	2"	7/16" (4.2 K)	205	14851B205	SR308	\$1,238.58
1-1/4"	7/16" (4.2 K)	250	14874B250	SR308	\$1,254.64	2"	7/16" (4.2 K)	250	14851B250	SR308	\$1,238.58
1-1/4"	1/2" (5.6 K)	175	14874C175	SR308	\$1,254.64	2"	1/2" (5.6 K)	175	14851C175	SR308	\$1,238.58
1-1/4"	1/2" (5.6 K)	205	14874C205	SR308	\$1,254.64	2"	1/2" (5.6 K)	205	14851C205	SR308	\$1,238.58
1-1/4"	1/2" (5.6 K)	250	14874C250	SR308	\$1,254.64	2"	1/2" (5.6 K)	250	14851C250	SR308	\$1,238.58
1-1/4"	17/32" (8.0 K)	175	14874D175	SR308	\$1,254.64	2"	17/32" (8.0 K)	175	14851D175	SR308	\$1,238.58
1-1/4"	17/32" (8.0 K)	205	14874D205	SR308	\$1,254.64	2"	17/32" (8.0 K)	205	14851D205	SR308	\$1,238.58
1-1/4"	17/32" (8.0 K)	250	14874D250	SR308	\$1,254.64	2"	17/32" (8.0 K)	250	14851D250	SR308	\$1,238.58
1-1/4"	ELO (11.2 K)	175	14874E175	SR308	\$1,254.64	2"	ELO (11.2 K)	175	14851E175	SR308	\$1,238.58
1-1/4"	ELO (11.2 K)	205	14874E205	SR308	\$1,254.64	2"	ELO (11.2 K)	205	14851E205	SR308	\$1,238.58
1-1/4"	ELO (11.2 K)	250	14874E250	SR308	\$1,254.64	2"	ELO (11.2 K)	250	14851E250	SR308	\$1,238.58
1-1/2"	3/8" (2.8 K)	175	14878A175	SR308	\$1,256.25	2-1/2"	3/8" (2.8 K)	175	14854A175	SR308	\$1,259.22
1-1/2"	3/8" (2.8 K)	205	14878A205	SR308	\$1,256.25	2-1/2"	3/8" (2.8 K)	205	14854A205	SR308	\$1,259.22
1-1/2"	3/8" (2.8 K)	250	14878A250	SR308	\$1,256.25	2-1/2"	3/8" (2.8 K)	250	14854A250	SR308	\$1,259.22
1-1/2"	7/16" (4.2 K)	175	14878B175	SR308	\$1,256.25	2-1/2"	7/16" (4.2 K)	175	14854B175	SR308	\$1,259.22
1-1/2"	7/16" (4.2 K)	205	14878B205	SR308	\$1,256.25	2-1/2"	7/16" (4.2 K)	205	14854B205	SR308	\$1,259.22
1-1/2"	7/16" (4.2 K)	250	14878B250	SR308	\$1,256.25	2-1/2"	7/16" (4.2 K)	250	14854B250	SR308	\$1,259.22
1-1/2"	1/2" (5.6 K)	175	14878C175	SR308	\$1,256.25	2-1/2"	1/2" (5.6 K)	175	14854C175	SR308	\$1,259.22
1-1/2"	1/2" (5.6 K)	205	14878C205	SR308	\$1,256.25	2-1/2"	1/2" (5.6 K)	205	14854C205	SR308	\$1,259.22
1-1/2"	1/2" (5.6 K)	250	14878C250	SR308	\$1,256.25	2-1/2"	1/2" (5.6 K)	250	14854C250	SR308	\$1,259.22
1-1/2"	17/32" (8.0 K)	175	14878D175	SR308	\$1,256.25	2-1/2"	17/32" (8.0 K)	175	14854D175	SR308	\$1,259.22
1-1/2"	17/32" (8.0 K)	205	14878D205	SR308	\$1,256.25	2-1/2"	17/32" (8.0 K)	205	14854D205	SR308	\$1,259.22
1-1/2"	17/32" (8.0 K)	250	14878D250	SR308	\$1,256.25	2-1/2"	17/32" (8.0 K)	250	14854D250	SR308	\$1,259.22
1-1/2"	ELO (11.2 K)	175	14878E175	SR308	\$1,256.25	2-1/2"	ELO (11.2 K)	175	14854E175	SR308	\$1,259.22
1-1/2"	ELO (11.2 K)	205	14878E205	SR308	\$1,256.25	2-1/2"	ELO (11.2 K)	205	14854E205	SR308	\$1,259.22
1-1/2"	ELO (11.2 K)	250	14878E250	SR308	\$1,256.25	2-1/2"	ELO (11.2 K)	250	14854E250	SR308	\$1,259.22
						2-1/2"	ESFR (14.0 K)	175	14854F175	SR308	\$1,259.22
						2-1/2"	ESFR (14.0 K)	205	14854F205	SR308	\$1,259.22
						2-1/2"	ESFR (14.0 K)	250	14854F250	SR308	\$1,259.22

(1) Refers to factory pressure setting (psi) of pressure relief valve (PRV). See technical data page # 31 a-e for details.



COMMERCIAL (with TESTanDRAIN® and PRV)											
Size	Orifice Size	PRV ¹	Part #	IPG	List Price	Size	Orifice Size	PRV ¹	Part #	IPG	List Price
Groove x Groove (schedule 10)						Groove x Groove (schedule 10)					
3"	3/8" (2.8 K)	175	14857A175	SR308	\$1,339.54	6"	3/8" (2.8 K)	175	14863A175	SR308	\$1,851.53
3"	3/8" (2.8 K)	205	14857A205	SR308	\$1,339.54	6"	3/8" (2.8 K)	205	14863A205	SR308	\$1,851.53
3"	3/8" (2.8 K)	250	14857A250	SR308	\$1,339.54	6"	3/8" (2.8 K)	250	14863A250	SR308	\$1,851.53
3"	7/16" (4.2 K)	175	14857B175	SR308	\$1,339.54	6"	7/16" (4.2 K)	175	14863B175	SR308	\$1,851.53
3"	7/16" (4.2 K)	205	14857B205	SR308	\$1,339.54	6"	7/16" (4.2 K)	205	14863B205	SR308	\$1,851.53
3"	7/16" (4.2 K)	250	14857B250	SR308	\$1,339.54	6"	7/16" (4.2 K)	250	14863B250	SR308	\$1,851.53
3"	1/2" (5.6 K)	175	14857C175	SR308	\$1,339.54	6"	1/2" (5.6 K)	175	14863C175	SR308	\$1,851.53
3"	1/2" (5.6 K)	205	14857C205	SR308	\$1,339.54	6"	1/2" (5.6 K)	205	14863C205	SR308	\$1,851.53
3"	1/2" (5.6 K)	250	14857C250	SR308	\$1,339.54	6"	1/2" (5.6 K)	250	14863C250	SR308	\$1,851.53
3"	17/32" (8.0 K)	175	14857D175	SR308	\$1,339.54	6"	17/32" (8.0 K)	175	14863D175	SR308	\$1,851.53
3"	17/32" (8.0 K)	205	14857D205	SR308	\$1,339.54	6"	17/32" (8.0 K)	205	14863D205	SR308	\$1,851.53
3"	17/32" (8.0 K)	250	14857D250	SR308	\$1,339.54	6"	17/32" (8.0 K)	250	14863D250	SR308	\$1,851.53
3"	ELO (11.2 K)	175	14857E175	SR308	\$1,339.54	6"	ELO (11.2 K)	175	14863E175	SR308	\$1,851.53
3"	ELO (11.2 K)	205	14857E205	SR308	\$1,339.54	6"	ELO (11.2 K)	205	14863E205	SR308	\$1,851.53
3"	ELO (11.2 K)	250	14857E250	SR308	\$1,339.54	6"	ELO (11.2 K)	250	14863E250	SR308	\$1,851.53
3"	ESFR - 14.0 K	175	14857F175	SR308	\$1,339.54	6"	ESFR - 14.0 K	175	14863F175	SR308	\$1,851.53
3"	ESFR - 14.0 K	205	14857F205	SR308	\$1,339.54	6"	ESFR - 14.0 K	205	14863F205	SR308	\$1,851.53
3"	ESFR - 14.0 K	250	14857F250	SR308	\$1,339.54	6"	ESFR - 14.0 K	250	14863F250	SR308	\$1,851.53
3"	ESFR - 25.2 K	175	14857G175	SR308	#N/A	6"	ESFR - 25.2 K	175	14863G175	SR308	\$1,870.89
3"	ESFR - 25.2 K	205	14857G205	SR308	#N/A	6"	ESFR - 25.2 K	205	14863G205	SR308	\$1,870.89
3"	ESFR - 25.2 K	250	14857G250	SR308	#N/A	6"	ESFR - 25.2 K	250	14863G250	SR308	\$1,870.89
4"	3/8" (2.8 K)	175	14860A175	SR308	\$1,720.86	8"	3/8" (2.8 K)	175	15266A175	SR308	\$2,503.07
4"	3/8" (2.8 K)	205	14860A205	SR308	\$1,720.86	8"	3/8" (2.8 K)	205	15266A205	SR308	\$2,503.07
4"	3/8" (2.8 K)	250	14860A250	SR308	\$1,720.86	8"	3/8" (2.8 K)	250	15266A250	SR308	\$2,503.07
4"	7/16" (4.2 K)	175	14860B175	SR308	\$1,720.86	8"	7/16" (4.2 K)	175	15266B175	SR308	\$2,503.07
4"	7/16" (4.2 K)	205	14860B205	SR308	\$1,720.86	8"	7/16" (4.2 K)	205	15266B205	SR308	\$2,503.07
4"	7/16" (4.2 K)	250	14860B250	SR308	\$1,720.86	8"	7/16" (4.2 K)	250	15266B250	SR308	\$2,503.07
4"	1/2" (5.6 K)	175	14860C175	SR308	\$1,720.86	8"	1/2" (5.6 K)	175	15266C175	SR308	\$2,503.07
4"	1/2" (5.6 K)	205	14860C205	SR308	\$1,720.86	8"	1/2" (5.6 K)	205	15266C205	SR308	\$2,503.07
4"	1/2" (5.6 K)	250	14860C250	SR308	\$1,720.86	8"	1/2" (5.6 K)	250	15266C250	SR308	\$2,503.07
4"	17/32" (8.0 K)	175	14860D175	SR308	\$1,720.86	8"	17/32" (8.0 K)	175	15266D175	SR308	\$2,503.07
4"	17/32" (8.0 K)	205	14860D205	SR308	\$1,720.86	8"	17/32" (8.0 K)	205	15266D205	SR308	\$2,503.07
4"	17/32" (8.0 K)	250	14860D250	SR308	\$1,720.86	8"	17/32" (8.0 K)	250	15266D250	SR308	\$2,503.07
4"	ELO (11.2 K)	175	14860E175	SR308	\$1,720.86	8"	ELO (11.2 K)	175	15266E175	SR308	\$2,503.07
4"	ELO (11.2 K)	205	14860E205	SR308	\$1,720.86	8"	ELO (11.2 K)	205	15266E205	SR308	\$2,503.07
4"	ELO (11.2 K)	250	14860E250	SR308	\$1,720.86	8"	ELO (11.2 K)	250	15266E250	SR308	\$2,503.07
4"	ESFR (14.0 K)	175	14860F175	SR308	\$1,720.86	8"	ESFR (14.0 K)	175	15266F175	SR308	\$2,503.07
4"	ESFR (14.0 K)	205	14860F205	SR308	\$1,720.86	8"	ESFR (14.0 K)	205	15266F205	SR308	\$2,503.07
4"	ESFR (14.0 K)	250	14860F250	SR308	\$1,720.86	8"	ESFR (14.0 K)	250	15266F250	SR308	\$2,503.07
4"	ESFR (25.2 K)	175	14860G175	SR308	\$1,785.04	8"	ESFR (25.2 K)	175	15266G175	SR308	\$2,503.07
4"	ESFR (25.2 K)	205	14860G205	SR308	\$1,785.04	8"	ESFR (25.2 K)	205	15266G205	SR308	\$2,503.07
4"	ESFR (25.2 K)	250	14860G250	SR308	\$1,785.04	8"	ESFR (25.2 K)	250	15266G250	SR308	\$2,503.07

(1) Refers to factory pressure setting (psi) of pressure relief valve (PRV). See technical data page # 31 a-e for details.

TESTanDRAIN® is a registered trademark of AGF Manufacturing, Inc.

COMMERCIAL (with TESTanDRAIN® and PRV)											
Size	Orifice Size	PRV ¹	Part #	IPG	List Price	Size	Orifice Size	PRV ¹	Part #	List Price	
Thread x Groove (schedule 40)						Thread x Thread (schedule 40)					
1-1/4"	3/8" (2.8 K)	175	15252A175	SR308	\$1,271.29	1-1/4"	3/8" (2.8 K)	175	14873A175	\$1,255.60	
1-1/4"	3/8" (2.8 K)	205	15252A205	SR308	\$1,271.29	1-1/4"	3/8" (2.8 K)	205	14873A205	\$1,255.60	
1-1/4"	3/8" (2.8 K)	250	15252A250	SR308	\$1,271.29	1-1/4"	3/8" (2.8 K)	250	14873A250	\$1,255.60	
1-1/4"	7/16" (4.2 K)	175	15252B175	SR308	\$1,271.29	1-1/4"	7/16" (4.2 K)	175	14873B175	\$1,255.60	
1-1/4"	7/16" (4.2 K)	205	15252B205	SR308	\$1,271.29	1-1/4"	7/16" (4.2 K)	205	14873B205	\$1,255.60	
1-1/4"	7/16" (4.2 K)	250	15252B250	SR308	\$1,271.29	1-1/4"	7/16" (4.2 K)	250	14873B250	\$1,255.60	
1-1/4"	1/2" (5.6 K)	175	15252C175	SR308	\$1,271.29	1-1/4"	1/2" (5.6 K)	175	14873C175	\$1,255.60	
1-1/4"	1/2" (5.6 K)	205	15252C205	SR308	\$1,271.29	1-1/4"	1/2" (5.6 K)	205	14873C205	\$1,255.60	
1-1/4"	1/2" (5.6 K)	250	15252C250	SR308	\$1,271.29	1-1/4"	1/2" (5.6 K)	250	14873C250	\$1,255.60	
1-1/4"	17/32" (8.0 K)	175	15252D175	SR308	\$1,271.29	1-1/4"	17/32" (8.0 K)	175	14873D175	\$1,255.60	
1-1/4"	17/32" (8.0 K)	205	15252D205	SR308	\$1,271.29	1-1/4"	17/32" (8.0 K)	205	14873D205	\$1,255.60	
1-1/4"	17/32" (8.0 K)	250	15252D250	SR308	\$1,271.29	1-1/4"	17/32" (8.0 K)	250	14873D250	\$1,255.60	
1-1/4"	ELO (11.2 K)	175	15252E175	SR308	\$1,271.29	1-1/4"	ELO (11.2 K)	175	14873E175	\$1,255.60	
1-1/4"	ELO (11.2 K)	205	15252E205	SR308	\$1,271.29	1-1/4"	ELO (11.2 K)	205	14873E205	\$1,255.60	
1-1/4"	ELO (11.2 K)	250	15252E250	SR308	\$1,271.29	1-1/4"	ELO (11.2 K)	250	14873E250	\$1,255.60	
1-1/2"	3/8" (2.8 K)	175	15257A175	SR308	\$1,262.00	1-1/2"	3/8" (2.8 K)	175	14877A175	\$1,258.03	
1-1/2"	3/8" (2.8 K)	205	15257A205	SR308	\$1,262.00	1-1/2"	3/8" (2.8 K)	205	14877A205	\$1,258.03	
1-1/2"	3/8" (2.8 K)	250	15257A250	SR308	\$1,262.00	1-1/2"	3/8" (2.8 K)	250	14877A250	\$1,258.03	
1-1/2"	7/16" (4.2 K)	175	15257B175	SR308	\$1,262.00	1-1/2"	7/16" (4.2 K)	175	14877B175	\$1,258.03	
1-1/2"	7/16" (4.2 K)	205	15257B205	SR308	\$1,262.00	1-1/2"	7/16" (4.2 K)	205	14877B205	\$1,258.03	
1-1/2"	7/16" (4.2 K)	250	15257B250	SR308	\$1,262.00	1-1/2"	7/16" (4.2 K)	250	14877B250	\$1,258.03	
1-1/2"	1/2" (5.6 K)	175	15257C175	SR308	\$1,262.00	1-1/2"	1/2" (5.6 K)	175	14877C175	\$1,258.03	
1-1/2"	1/2" (5.6 K)	205	15257C205	SR308	\$1,262.00	1-1/2"	1/2" (5.6 K)	205	14877C205	\$1,258.03	
1-1/2"	1/2" (5.6 K)	250	15257C250	SR308	\$1,262.00	1-1/2"	1/2" (5.6 K)	250	14877C250	\$1,258.03	
1-1/2"	17/32" (8.0 K)	175	15257D175	SR308	\$1,262.00	1-1/2"	17/32" (8.0 K)	175	14877D175	\$1,258.03	
1-1/2"	17/32" (8.0 K)	205	15257D205	SR308	\$1,262.00	1-1/2"	17/32" (8.0 K)	205	14877D205	\$1,258.03	
1-1/2"	17/32" (8.0 K)	250	15257D250	SR308	\$1,262.00	1-1/2"	17/32" (8.0 K)	250	14877D250	\$1,258.03	
1-1/2"	ELO (11.2 K)	175	15257E175	SR308	\$1,262.00	1-1/2"	ELO (11.2 K)	175	14877E175	\$1,258.03	
1-1/2"	ELO (11.2 K)	205	15257E205	SR308	\$1,262.00	1-1/2"	ELO (11.2 K)	205	14877E205	\$1,258.03	
1-1/2"	ELO (11.2 K)	250	15257E250	SR308	\$1,262.00	1-1/2"	ELO (11.2 K)	250	14877E250	\$1,258.03	
2"	3/8" (2.8 K)	175	15260A175	SR308	\$1,477.62	2"	3/8" (2.8 K)	175	14847A175	\$1,259.22	
2"	3/8" (2.8 K)	205	15260A205	SR308	\$1,477.62	2"	3/8" (2.8 K)	205	14847A205	\$1,259.22	
2"	3/8" (2.8 K)	250	15260A250	SR308	\$1,477.62	2"	3/8" (2.8 K)	250	14847A250	\$1,259.22	
2"	7/16" (4.2 K)	175	15260B175	SR308	\$1,477.62	2"	7/16" (4.2 K)	175	14847B175	\$1,259.22	
2"	7/16" (4.2 K)	205	15260B205	SR308	\$1,477.62	2"	7/16" (4.2 K)	205	14847B205	\$1,259.22	
2"	7/16" (4.2 K)	250	15260B250	SR308	\$1,477.62	2"	7/16" (4.2 K)	250	14847B250	\$1,259.22	
2"	1/2" (5.6 K)	175	15260C175	SR308	\$1,477.62	2"	1/2" (5.6 K)	175	14847C175	\$1,259.22	
2"	1/2" (5.6 K)	205	15260C205	SR308	\$1,477.62	2"	1/2" (5.6 K)	205	14847C205	\$1,259.22	
2"	1/2" (5.6 K)	250	15260C250	SR308	\$1,477.62	2"	1/2" (5.6 K)	250	14847C250	\$1,259.22	
2"	17/32" (8.0 K)	175	15260D175	SR308	\$1,477.62	2"	17/32" (8.0 K)	175	14847D175	\$1,259.22	
2"	17/32" (8.0 K)	205	15260D205	SR308	\$1,477.62	2"	17/32" (8.0 K)	205	14847D205	\$1,259.22	
2"	17/32" (8.0 K)	250	15260D250	SR308	\$1,477.62	2"	17/32" (8.0 K)	250	14847D250	\$1,259.22	
2"	ELO (11.2 K)	175	15260E175	SR308	\$1,477.62	2"	ELO (11.2 K)	175	14874E175	\$1,254.64	
2"	ELO (11.2 K)	205	15260E205	SR308	\$1,477.62	2"	ELO (11.2 K)	205	14874E205	\$1,254.64	
2"	ELO (11.2 K)	250	15260E250	SR308	\$1,477.62	2"	ELO (11.2 K)	250	14874E250	\$1,254.64	

(1) Refers to factory pressure setting (psi) of pressure relief valve (PRV). See technical data page # 31 a-e for details.

TESTanDRAIN® is a registered trademark of AGF Manufacturing, Inc.

EasyPac™ FLOOR CONTROL Riser Assemblies		
Basic (w/ ball valve)	TESTanDRAIN®	TESTanDRAIN® & PRV
Features and Benefits of all EasyPac™ Riser Assemblies <ul style="list-style-type: none"> - Assembled in the United States. - Made with UL listed and FM approved components. - Field replaceable parts for ease of service. - Fabricated steel riser body with black E-coat finish. - Compact, lightweight design for easy installation. - Built-in test port allows hydrostatic testing w/out draining system. - Pressure rating: 250 PSI max water working pressure. - Includes Potter® VSR flow switch 		

Floor Control - Basic (with ball valve)			
Size	Part #	IPG	List Price
Groove x Groove (schedule 10)			
1-1/4"	15270	SR309	\$699.50
1-1/2"	15279	SR309	\$746.88
2"	15288	SR309	\$670.14
2-1/2"	15297	SR309	\$677.19
3"	15300	SR309	\$772.61
4"	15303	SR309	\$900.68
6"	15294	SR309	\$960.18
8"	15261	SR309	\$1,130.73
Thread x Groove (schedule 40)			
1-1/4"	15273	SR309	\$716.90
1-1/2"	15282	SR309	\$752.88
2"	15291	SR309	\$686.17
Thread x Thread (schedule 40)			
1-1/4"	15267	SR309	\$700.52
1-1/2"	15276	SR309	\$748.40
2"	15285	SR309	\$691.90

FLOOR CONTROL (with TESTanDRAIN®)									
Size	Orifice Size	Part #	IPG	List Price	Size	Orifice Size	Part #	IPG	List Price
Groove x Groove (schedule 10)					Groove x Groove (schedule 10)				
1-1/4"	3/8" (2.8 K)	15271A	SR309	\$1,179.50	3"	3/8" (2.8 K)	15301A	SR309	\$1,222.33
1-1/4"	7/16" (4.2 K)	15271B	SR309	\$1,179.50	3"	7/16" (4.2 K)	15301B	SR309	\$1,222.33
1-1/4"	1/2" (5.6 K)	15271C	SR309	\$1,179.50	3"	1/2" (5.6 K)	15301C	SR309	\$1,222.33
1-1/4"	17/32" (8.0 K)	15271D	SR309	\$1,179.50	3"	17/32" (8.0 K)	15301D	SR309	\$1,222.33
1-1/4"	ELO (11.2 K)	15271E	SR309	\$1,179.50	3"	ELO (11.2 K)	15301E	SR309	\$1,222.33
					3"	ESFR (14.0 K)	15301F	SR309	\$1,222.33
					3"	ESFR (25.2 K)	15301G	SR309	POA
					Groove x Groove (schedule 10)				
1-1/2"	3/8" (2.8 K)	15280A	SR309	\$1,181.19	4"	3/8" (2.8 K)	15304A	SR309	\$1,667.28
1-1/2"	7/16" (4.2 K)	15280B	SR309	\$1,181.19	4"	7/16" (4.2 K)	15304B	SR309	\$1,667.28
1-1/2"	1/2" (5.6 K)	15280C	SR309	\$1,181.19	4"	1/2" (5.6 K)	15304C	SR309	\$1,667.28
1-1/2"	17/32" (8.0 K)	15280D	SR309	\$1,181.19	4"	17/32" (8.0 K)	15304D	SR309	\$1,667.28
1-1/2"	ELO (11.2 K)	15280E	SR309	\$1,181.19	4"	ELO (11.2 K)	15304E	SR309	\$1,667.28
					4"	ESFR (14.0 K)	15304F	SR309	\$1,667.28
					4"	ESFR (25.2 K)	15304G	SR309	POA
					Groove x Groove (schedule 10)				
2"	3/8" (2.8 K)	15289A	SR309	\$1,163.18	6"	3/8" (2.8 K)	15295A	SR309	\$1,757.00
2"	7/16" (4.2 K)	15289B	SR309	\$1,163.18	6"	7/16" (4.2 K)	15295B	SR309	\$1,757.00
2"	1/2" (5.6 K)	15289C	SR309	\$1,163.18	6"	1/2" (5.6 K)	15295C	SR309	\$1,757.00
2"	17/32" (8.0 K)	15289D	SR309	\$1,163.18	6"	17/32" (8.0 K)	15295D	SR309	\$1,757.00
2"	ELO (11.2 K)	15289E	SR309	\$1,163.18	6"	ELO (11.2 K)	15295E	SR309	\$1,757.00
					6"	ESFR (14.0 K)	15295F	SR309	\$1,757.00
					6"	ESFR (25.2 K)	15295G	SR309	POA
					Groove x Groove (schedule 10)				
2-1/2"	3/8" (2.8 K)	15298A	SR309	\$1,172.40	8"	3/8" (2.8 K)	15262A	SR309	\$1,945.25
2-1/2"	7/16" (4.2 K)	15298B	SR309	\$1,172.40	8"	7/16" (4.2 K)	15262B	SR309	\$1,945.25
2-1/2"	1/2" (5.6 K)	15298C	SR309	\$1,172.40	8"	1/2" (5.6 K)	15262C	SR309	\$1,945.25
2-1/2"	17/32" (8.0 K)	15298D	SR309	\$1,172.40	8"	17/32" (8.0 K)	15262D	SR309	\$1,945.25
2-1/2"	ELO (11.2 K)	15298E	SR309	\$1,172.40	8"	ELO (11.2 K)	15262E	SR309	\$1,945.25
2-1/2"	ESFR (14.0 K)	15298F	SR309	\$1,172.40	8"	ESFR (14.0 K)	15262F	SR309	\$1,945.25
2-1/2"	ESFR (25.2 K)	15298G	SR309	POA	8"	ESFR (25.2 K)	15262G	SR309	\$2,016.58

TESTanDRAIN® is a registered trademark of AGF Manufacturing, Inc.

FLOOR CONTROL (with TESTanDRAIN®)									
Size	Orifice Size	Part #	IPG	List Price	Size	Orifice Size	Part #	IPG	List Price
Thread x Groove (schedule 40)					Thread x Thread (schedule 40)				
1-1/4"	3/8" (2.8 K)	15274A	SR309	\$1,196.90	1-1/4"	3/8" (2.8 K)	15268A	SR309	\$1,180.51
1-1/4"	7/16" (4.2 K)	15274B	SR309	\$1,196.90	1-1/4"	7/16" (4.2 K)	15268B	SR309	\$1,180.51
1-1/4"	1/2" (5.6 K)	15274C	SR309	\$1,196.90	1-1/4"	1/2" (5.6 K)	15268C	SR309	\$1,180.51
1-1/4"	17/32" (8.0 K)	15274D	SR309	\$1,196.90	1-1/4"	17/32" (8.0 K)	15268D	SR309	\$1,180.51
1-1/4"	17/32" (8.0 K)	15274E	SR309	\$1,196.90	1-1/4"	17/32" (8.0 K)	15268E	SR309	\$1,180.51
1-1/2"	3/8" (2.8 K)	15283A	SR309	\$1,187.20	1-1/2"	3/8" (2.8 K)	15277A	SR309	\$1,183.06
1-1/2"	7/16" (4.2 K)	15283B	SR309	\$1,187.20	1-1/2"	7/16" (4.2 K)	15277B	SR309	\$1,183.06
1-1/2"	1/2" (5.6 K)	15283C	SR309	\$1,187.20	1-1/2"	1/2" (5.6 K)	15277C	SR309	\$1,183.06
1-1/2"	17/32" (8.0 K)	15283D	SR309	\$1,187.20	1-1/2"	17/32" (8.0 K)	15277D	SR309	\$1,183.06
1-1/2"	17/32" (8.0 K)	15283E	SR309	\$1,187.20	1-1/2"	17/32" (8.0 K)	15277E	SR309	\$1,183.06
2"	3/8" (2.8 K)	15292A	SR309	\$1,179.21	2"	3/8" (2.8 K)	15286A	SR309	\$1,184.95
2"	7/16" (4.2 K)	15292B	SR309	\$1,179.21	2"	7/16" (4.2 K)	15286B	SR309	\$1,184.95
2"	1/2" (5.6 K)	15292C	SR309	\$1,179.21	2"	1/2" (5.6 K)	15286C	SR309	\$1,184.95
2"	17/32" (8.0 K)	15292D	SR309	\$1,179.21	2"	17/32" (8.0 K)	15286D	SR309	\$1,184.95
2"	ELO (11.2 K)	15292E	SR309	\$1,179.21	2"	ELO (11.2 K)	15286E	SR309	\$1,184.95

FLOOR CONTROL (with TESTanDRAIN® and PRV)											
Size	Orifice Size	PRV ¹	Part #	IPG	List Price	Size	Orifice Size	PRV ¹	Part #	IPG	List Price
Groove x Groove (schedule 10)						Groove x Groove (schedule 10)					
1-1/4"	3/8" (2.8 K)	175	15272A175	SR309	\$1,310.39	2"	3/8" (2.8 K)	175	15290A175	SR309	\$1,296.42
1-1/4"	3/8" (2.8 K)	205	15272A205	SR309	\$1,310.39	2"	3/8" (2.8 K)	205	15290A205	SR309	\$1,296.42
1-1/4"	3/8" (2.8 K)	250	15272A250	SR309	\$1,310.39	2"	3/8" (2.8 K)	250	15290A250	SR309	\$1,296.42
1-1/4"	7/16" (4.2 K)	175	15272B175	SR309	\$1,310.39	2"	7/16" (4.2 K)	175	15290B175	SR309	\$1,296.42
1-1/4"	7/16" (4.2 K)	205	15272B205	SR309	\$1,310.39	2"	7/16" (4.2 K)	205	15290B205	SR309	\$1,296.42
1-1/4"	7/16" (4.2 K)	250	15272B250	SR309	\$1,310.39	2"	7/16" (4.2 K)	250	15290B250	SR309	\$1,296.42
1-1/4"	1/2" (5.6 K)	175	15272C175	SR309	\$1,310.39	2"	1/2" (5.6 K)	175	15290C175	SR309	\$1,296.42
1-1/4"	1/2" (5.6 K)	205	15272C205	SR309	\$1,310.39	2"	1/2" (5.6 K)	205	15290C205	SR309	\$1,296.42
1-1/4"	1/2" (5.6 K)	250	15272C250	SR309	\$1,310.39	2"	1/2" (5.6 K)	250	15290C250	SR309	\$1,296.42
1-1/4"	17/32" (8.0 K)	175	15272D175	SR309	\$1,310.39	2"	17/32" (8.0 K)	175	15290D175	SR309	\$1,296.42
1-1/4"	17/32" (8.0 K)	205	15272D205	SR309	\$1,310.39	2"	17/32" (8.0 K)	205	15290D205	SR309	\$1,296.42
1-1/4"	17/32" (8.0 K)	250	15272D250	SR309	\$1,310.39	2"	17/32" (8.0 K)	250	15290D250	SR309	\$1,296.42
1-1/4"	ELO (11.2 K)	175	15272E175	SR309	\$1,310.39	2"	ELO (11.2 K)	175	15290E175	SR309	\$1,296.42
1-1/4"	ELO (11.2 K)	205	15272E205	SR309	\$1,310.39	2"	ELO (11.2 K)	205	15290E205	SR309	\$1,296.42
1-1/4"	ELO (11.2 K)	250	15272E250	SR309	\$1,310.39	2"	ELO (11.2 K)	250	15290E250	SR309	\$1,296.42
1-1/2"	3/8" (2.8 K)	175	15281A175	SR309	\$1,312.09	2-1/2"	3/8" (2.8 K)	175	15299A175	SR309	\$1,305.84
1-1/2"	3/8" (2.8 K)	205	15281A205	SR309	\$1,312.09	2-1/2"	3/8" (2.8 K)	205	15299A205	SR309	\$1,305.84
1-1/2"	3/8" (2.8 K)	250	15281A250	SR309	\$1,312.09	2-1/2"	3/8" (2.8 K)	250	15299A250	SR309	\$1,305.84
1-1/2"	7/16" (4.2 K)	175	15281B175	SR309	\$1,312.09	2-1/2"	7/16" (4.2 K)	175	15299B175	SR309	\$1,305.84
1-1/2"	7/16" (4.2 K)	205	15281B205	SR309	\$1,312.09	2-1/2"	7/16" (4.2 K)	205	15299B205	SR309	\$1,305.84
1-1/2"	7/16" (4.2 K)	250	15281B250	SR309	\$1,312.09	2-1/2"	7/16" (4.2 K)	250	15299B250	SR309	\$1,305.84
1-1/2"	1/2" (5.6 K)	175	15281C175	SR309	\$1,312.09	2-1/2"	1/2" (5.6 K)	175	15299C175	SR309	\$1,305.84
1-1/2"	1/2" (5.6 K)	205	15281C205	SR309	\$1,312.09	2-1/2"	1/2" (5.6 K)	205	15299C205	SR309	\$1,305.84
1-1/2"	1/2" (5.6 K)	250	15281C250	SR309	\$1,312.09	2-1/2"	1/2" (5.6 K)	250	15299C250	SR309	\$1,305.84
1-1/2"	17/32" (8.0 K)	175	15281D175	SR309	\$1,312.09	2-1/2"	17/32" (8.0 K)	175	15299D175	SR309	\$1,305.84
1-1/2"	17/32" (8.0 K)	205	15281D205	SR309	\$1,312.09	2-1/2"	17/32" (8.0 K)	205	15299D205	SR309	\$1,305.84
1-1/2"	17/32" (8.0 K)	250	15281D250	SR309	\$1,312.09	2-1/2"	17/32" (8.0 K)	250	15299D250	SR309	\$1,305.84
1-1/2"	ELO (11.2 K)	175	15281E175	SR309	\$1,312.09	2-1/2"	ELO (11.2 K)	175	15298E175	SR309	\$1,305.84
1-1/2"	ELO (11.2 K)	205	15281E205	SR309	\$1,312.09	2-1/2"	ELO (11.2 K)	205	15298E205	SR309	\$1,305.84
1-1/2"	ELO (11.2 K)	250	15281E250	SR309	\$1,312.09	2-1/2"	ELO (11.2 K)	250	15298E250	SR309	\$1,305.84
						2-1/2"	ESFR (14.0 K)	175	15299F175	SR309	\$1,305.84
						2-1/2"	ESFR (14.0 K)	205	15299F205	SR309	\$1,305.84
						2-1/2"	ESFR (14.0 K)	250	15299F250	SR309	\$1,305.84

(1) Refers to factory pressure setting (psi) of pressure relief valve (PRV). See technical data page # 31 a-e for details.



FLOOR CONTROL (with TESTanDRAIN® and PRV)											
Size	Orifice Size	PRV ¹	Part #	IPG	List Price	Size	Orifice Size	PRV ¹	Part #	IPG	List Price
Groove x Groove (schedule 10)						Groove x Groove (schedule 10)					
3"	3/8" (2.8 K)	175	15302A175	SR309	\$1,401.26	6"	3/8" (2.8 K)	175	15296A175	SR309	\$1,887.89
3"	3/8" (2.8 K)	205	15302A205	SR309	\$1,401.26	6"	3/8" (2.8 K)	205	15296A205	SR309	\$1,887.89
3"	3/8" (2.8 K)	250	15302A250	SR309	\$1,401.26	6"	3/8" (2.8 K)	250	15296A250	SR309	\$1,887.89
3"	7/16" (4.2 K)	175	15302B175	SR309	\$1,401.26	6"	7/16" (4.2 K)	175	15296B175	SR309	\$1,887.89
3"	7/16" (4.2 K)	205	15302B205	SR309	\$1,401.26	6"	7/16" (4.2 K)	205	15296B205	SR309	\$1,887.89
3"	7/16" (4.2 K)	250	15302B250	SR309	\$1,401.26	6"	7/16" (4.2 K)	250	15296B250	SR309	\$1,887.89
3"	1/2" (5.6 K)	175	15302C175	SR309	\$1,401.26	6"	1/2" (5.6 K)	175	15296C175	SR309	\$1,887.89
3"	1/2" (5.6 K)	205	15302C205	SR309	\$1,401.26	6"	1/2" (5.6 K)	205	15296C205	SR309	\$1,887.89
3"	1/2" (5.6 K)	250	15302C250	SR309	\$1,401.26	6"	1/2" (5.6 K)	250	15296C250	SR309	\$1,887.89
3"	17/32" (8.0 K)	175	15302D175	SR309	\$1,401.26	6"	17/32" (8.0 K)	175	15296D175	SR309	\$1,887.89
3"	17/32" (8.0 K)	205	15302D205	SR309	\$1,401.26	6"	17/32" (8.0 K)	205	15296D205	SR309	\$1,887.89
3"	17/32" (8.0 K)	250	15302D250	SR309	\$1,401.26	6"	17/32" (8.0 K)	250	15296D250	SR309	\$1,887.89
3"	ELO (11.2 K)	175	15302E175	SR309	\$1,401.26	6"	ELO (11.2 K)	175	15296E175	SR309	\$1,887.89
3"	ELO (11.2 K)	205	15302E205	SR309	\$1,401.26	6"	ELO (11.2 K)	205	15296E205	SR309	\$1,887.89
3"	ELO (11.2 K)	250	15302E250	SR309	\$1,401.26	6"	ELO (11.2 K)	250	15296E250	SR309	\$1,887.89
3"	ESFR (14.0 K)	175	15302F175	SR309	\$1,401.26	6"	ESFR (14.0 K)	175	15296F175	SR309	\$1,887.89
3"	ESFR (14.0 K)	205	15302F205	SR309	\$1,401.26	6"	ESFR (14.0 K)	205	15296F205	SR309	\$1,887.89
3"	ESFR (14.0 K)	250	15302F250	SR309	\$1,401.26	6"	ESFR (14.0 K)	250	15296F250	SR309	\$1,887.89
3"	ESFR (25.2 K)	175	15302G175	SR309	POA	6"	ESFR (25.2 K)	175	15296G175	SR309	\$1,887.89
3"	ESFR (25.2 K)	205	15302G205	SR309	POA	6"	ESFR (25.2 K)	205	15296G205	SR309	POA
3"	ESFR (25.2 K)	250	15302G250	SR309	POA	6"	ESFR (25.2 K)	250	15296G250	SR309	POA
4"	3/8" (2.8 K)	175	15305A175	SR309	\$1,798.17	8"	3/8" (2.8 K)	175	15263A175	SR309	\$2,084.33
4"	3/8" (2.8 K)	205	15305A205	SR309	\$1,798.17	8"	3/8" (2.8 K)	205	15263A205	SR309	\$2,084.33
4"	3/8" (2.8 K)	250	15305A250	SR309	\$1,798.17	8"	3/8" (2.8 K)	250	15263A250	SR309	\$2,084.33
4"	7/16" (4.2 K)	175	15305B175	SR309	\$1,798.17	8"	7/16" (4.2 K)	175	15263B175	SR309	\$2,084.33
4"	7/16" (4.2 K)	205	15305B205	SR309	\$1,798.17	8"	7/16" (4.2 K)	205	15263B205	SR309	\$2,084.33
4"	7/16" (4.2 K)	250	15305B250	SR309	\$1,798.17	8"	7/16" (4.2 K)	250	15263B250	SR309	\$2,084.33
4"	1/2" (5.6 K)	175	15305C175	SR309	\$1,798.17	8"	1/2" (5.6 K)	175	15263C175	SR309	\$2,084.33
4"	1/2" (5.6 K)	205	15305C205	SR309	\$1,798.17	8"	1/2" (5.6 K)	205	15263C205	SR309	\$2,084.33
4"	1/2" (5.6 K)	250	15305C250	SR309	\$1,798.17	8"	1/2" (5.6 K)	250	15263C250	SR309	\$2,084.33
4"	17/32" (8.0 K)	175	15305D175	SR309	\$1,798.17	8"	17/32" (8.0 K)	175	15263D175	SR309	\$2,084.33
4"	17/32" (8.0 K)	205	15305D205	SR309	\$1,798.17	8"	17/32" (8.0 K)	205	15263D205	SR309	\$2,084.33
4"	17/32" (8.0 K)	250	15305D250	SR309	\$1,798.17	8"	17/32" (8.0 K)	250	15263D250	SR309	\$2,084.33
4"	ELO (11.2 K)	175	15305E175	SR309	\$1,798.17	8"	ELO (11.2 K)	175	15263E175	SR309	\$2,084.33
4"	ELO (11.2 K)	205	15305E205	SR309	\$1,798.17	8"	ELO (11.2 K)	205	15263E205	SR309	\$2,084.33
4"	ELO (11.2 K)	250	15305E250	SR309	\$1,798.17	8"	ELO (11.2 K)	250	15263E250	SR309	\$2,084.33
4"	ESFR (14.0 K)	175	15305F175	SR309	\$1,798.17	8"	ESFR (14.0 K)	175	15263F175	SR309	\$2,084.33
4"	ESFR (14.0 K)	205	15305F205	SR309	\$1,798.17	8"	ESFR (14.0 K)	205	15263F205	SR309	\$2,084.33
4"	ESFR (14.0 K)	250	15305F250	SR309	\$1,798.17	8"	ESFR (14.0 K)	250	15263F250	SR309	\$2,084.33
4"	ESFR (25.2 K)	175	15305G175	SR309	POA	8"	ESFR (25.2 K)	175	15263G175	SR309	\$2,155.65
4"	ESFR (25.2 K)	205	15305G205	SR309	POA	8"	ESFR (25.2 K)	205	15263G205	SR309	\$2,155.65
4"	ESFR (25.2 K)	250	15305G250	SR309	POA	8"	ESFR (25.2 K)	250	15263G250	SR309	\$2,155.65

(1) Refers to factory pressure setting (psi) of pressure relief valve (PRV). See technical data page # 31 a-e for details.


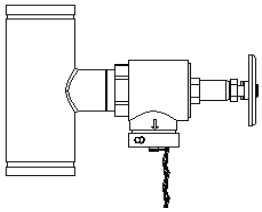
TESTanDRAIN® is a registered trademark of AGF Manufacturing, Inc.

FLOOR CONTROL (with TESTanDRAIN® and PRV)											
Size	Orifice Size	PRV ¹	Part #	IPG	List Price	Size	Orifice Size	PRV ¹	Part #	IPG	List Price
Thread x Groove (schedule 40)						Thread x Thread (schedule 40)					
1-1/4"	3/8" (2.8 K)	175	15275A175	SR309	\$1,327.80	1-1/4"	3/8" (2.8 K)	175	15269A175	SR309	\$1,311.41
1-1/4"	3/8" (2.8 K)	205	15275A205	SR309	\$1,327.80	1-1/4"	3/8" (2.8 K)	205	15269A205	SR309	\$1,311.41
1-1/4"	3/8" (2.8 K)	250	15275A250	SR309	\$1,327.80	1-1/4"	3/8" (2.8 K)	250	15269A250	SR309	\$1,311.41
1-1/4"	7/16" (4.2 K)	175	15275B175	SR309	\$1,327.80	1-1/4"	7/16" (4.2 K)	175	15269B175	SR309	\$1,311.41
1-1/4"	7/16" (4.2 K)	205	15275B205	SR309	\$1,327.80	1-1/4"	7/16" (4.2 K)	205	15269B205	SR309	\$1,311.41
1-1/4"	7/16" (4.2 K)	250	15275B250	SR309	\$1,327.80	1-1/4"	7/16" (4.2 K)	250	15269B250	SR309	\$1,311.41
1-1/4"	1/2" (5.6 K)	175	15275C175	SR309	\$1,327.80	1-1/4"	1/2" (5.6 K)	175	15269C175	SR309	\$1,311.41
1-1/4"	1/2" (5.6 K)	205	15275C205	SR309	\$1,327.80	1-1/4"	1/2" (5.6 K)	205	15269C205	SR309	\$1,311.41
1-1/4"	1/2" (5.6 K)	250	15275C250	SR309	\$1,327.80	1-1/4"	1/2" (5.6 K)	250	15269C250	SR309	\$1,311.41
1-1/4"	17/32" (8.0 K)	175	15275D175	SR309	\$1,327.80	1-1/4"	17/32" (8.0 K)	175	15269D175	SR309	\$1,311.41
1-1/4"	17/32" (8.0 K)	205	15275D205	SR309	\$1,327.80	1-1/4"	17/32" (8.0 K)	205	15269D205	SR309	\$1,311.41
1-1/4"	17/32" (8.0 K)	250	15275D250	SR309	\$1,327.80	1-1/4"	17/32" (8.0 K)	250	15269D250	SR309	\$1,311.41
1-1/4"	ELO (11.2 K)	175	15275E175	SR309	\$1,327.80	1-1/4"	ELO (11.2 K)	175	15269E175	SR309	\$1,311.41
1-1/4"	ELO (11.2 K)	205	15275E205	SR309	\$1,327.80	1-1/4"	ELO (11.2 K)	205	15269E205	SR309	\$1,311.41
1-1/4"	ELO (11.2 K)	250	15275E250	SR309	\$1,327.80	1-1/4"	ELO (11.2 K)	250	15269E250	SR309	\$1,311.41
1-1/2"	3/8" (2.8 K)	175	15284A175	SR309	\$1,318.09	1-1/2"	3/8" (2.8 K)	175	15278A175	SR309	\$1,313.94
1-1/2"	3/8" (2.8 K)	205	15284A205	SR309	\$1,318.09	1-1/2"	3/8" (2.8 K)	205	15278A205	SR309	\$1,313.94
1-1/2"	3/8" (2.8 K)	250	15284A250	SR309	\$1,318.09	1-1/2"	3/8" (2.8 K)	250	15278A250	SR309	\$1,313.94
1-1/2"	7/16" (4.2 K)	175	15284B175	SR309	\$1,318.09	1-1/2"	7/16" (4.2 K)	175	15278B175	SR309	\$1,313.94
1-1/2"	7/16" (4.2 K)	205	15284B205	SR309	\$1,318.09	1-1/2"	7/16" (4.2 K)	205	15278B205	SR309	\$1,313.94
1-1/2"	7/16" (4.2 K)	250	15284B250	SR309	\$1,318.09	1-1/2"	7/16" (4.2 K)	250	15278B250	SR309	\$1,313.94
1-1/2"	1/2" (5.6 K)	175	15284C175	SR309	\$1,318.09	1-1/2"	1/2" (5.6 K)	175	15278C175	SR309	\$1,313.94
1-1/2"	1/2" (5.6 K)	205	15284C205	SR309	\$1,318.09	1-1/2"	1/2" (5.6 K)	205	15278C205	SR309	\$1,313.94
1-1/2"	1/2" (5.6 K)	250	15284C250	SR309	\$1,318.09	1-1/2"	1/2" (5.6 K)	250	15278C250	SR309	\$1,313.94
1-1/2"	17/32" (8.0 K)	175	15284D175	SR309	\$1,318.09	1-1/2"	17/32" (8.0 K)	175	15278D175	SR309	\$1,313.94
1-1/2"	17/32" (8.0 K)	205	15284D205	SR309	\$1,318.09	1-1/2"	17/32" (8.0 K)	205	15278D205	SR309	\$1,313.94
1-1/2"	17/32" (8.0 K)	250	15284D250	SR309	\$1,318.09	1-1/2"	17/32" (8.0 K)	250	15278D250	SR309	\$1,313.94
1-1/2"	ELO (11.2 K)	175	15284E175	SR309	\$1,318.09	1-1/2"	ELO (11.2 K)	175	15278E175	SR309	\$1,313.94
1-1/2"	ELO (11.2 K)	205	15284E205	SR309	\$1,318.09	1-1/2"	ELO (11.2 K)	205	15278E205	SR309	\$1,313.94
1-1/2"	ELO (11.2 K)	250	15284E250	SR309	\$1,318.09	1-1/2"	ELO (11.2 K)	250	15278E250	SR309	\$1,313.94
2"	3/8" (2.8 K)	175	15293A175	SR309	\$1,312.45	2"	3/8" (2.8 K)	175	15287A175	SR309	\$1,318.19
2"	3/8" (2.8 K)	205	15293A205	SR309	\$1,312.45	2"	3/8" (2.8 K)	205	15287A205	SR309	\$1,318.19
2"	3/8" (2.8 K)	250	15293A250	SR309	\$1,312.45	2"	3/8" (2.8 K)	250	15287A250	SR309	\$1,318.19
2"	7/16" (4.2 K)	175	15293B175	SR309	\$1,312.45	2"	7/16" (4.2 K)	175	15287B175	SR309	\$1,318.19
2"	7/16" (4.2 K)	205	15293B205	SR309	\$1,312.45	2"	7/16" (4.2 K)	205	15287B205	SR309	\$1,318.19
2"	7/16" (4.2 K)	250	15293B250	SR309	\$1,312.45	2"	7/16" (4.2 K)	250	15287B250	SR309	\$1,318.19
2"	1/2" (5.6 K)	175	15293C175	SR309	\$1,312.45	2"	1/2" (5.6 K)	175	15287C175	SR309	\$1,318.19
2"	1/2" (5.6 K)	205	15293C205	SR309	\$1,312.45	2"	1/2" (5.6 K)	205	15287C205	SR309	\$1,318.19
2"	1/2" (5.6 K)	250	15293C250	SR309	\$1,312.45	2"	1/2" (5.6 K)	250	15287C250	SR309	\$1,318.19
2"	17/32" (8.0 K)	175	15293D175	SR309	\$1,312.45	2"	17/32" (8.0 K)	175	15287D175	SR309	\$1,318.19
2"	17/32" (8.0 K)	205	15293D205	SR309	\$1,312.45	2"	17/32" (8.0 K)	205	15287D205	SR309	\$1,318.19
2"	17/32" (8.0 K)	250	15293D250	SR309	\$1,312.45	2"	17/32" (8.0 K)	250	15287D250	SR309	\$1,318.19
2"	ELO (11.2 K)	175	15293E175	SR309	\$1,312.45	2"	ELO (11.2 K)	175	15287E175	SR309	\$1,318.19
2"	ELO (11.2 K)	205	15293E205	SR309	\$1,312.45	2"	ELO (11.2 K)	205	15287E205	SR309	\$1,318.19
2"	ELO (11.2 K)	250	15293E250	SR309	\$1,312.45	2"	ELO (11.2 K)	250	15287E250	SR309	\$1,318.19

(1) Refers to factory pressure setting (psi) of pressure relief valve (PRV). See technical data page # 31 a-e for details.

TESTanDRAIN® is a registered trademark of AGF Manufacturing, Inc.

EasyPac™ STANDPIPE Assemblies

- Pressure Rating: 300 PSI (20.7 bar) max water working pressure.
- Fabricated steel pipe riser bodies with black E-coat.
- Available in grooved inlet and outlet connections (schedule 10 pipe).
- Includes 2-1/2" drain valve with cap and chain.

Standpipe Assemblies			
Size	Part #	IPG	List Price
International			
3"	15576	V25.7	\$783.61
4"	15577	V25.7	\$790.15
6"	15578	V25.7	\$836.93
DOMESTIC¹			
3"	15573	V25.7	\$1,505.00
4"	15574	V25.7	\$1,511.54
6"	15575	V25.7	\$1,558.33

(1) Domestic part numbers include 100% US made components.

