



Section N
Deluge Systems

TABLE OF CONTENTS

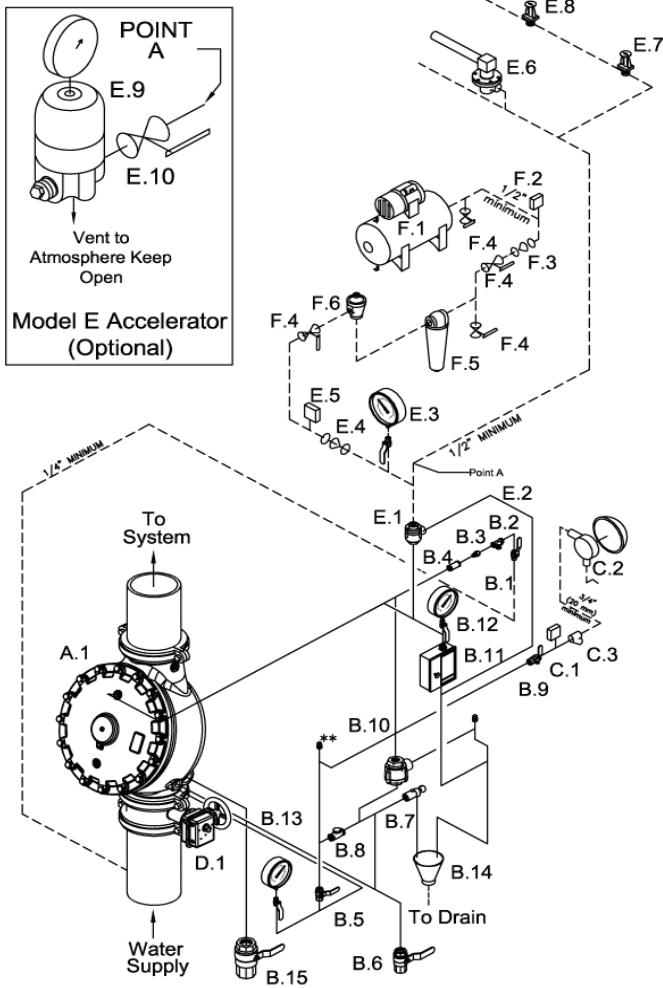
Deluge System – Pneumatic Release..... N-1 – N-2
Deluge System – Hydraulic Release N-3 – N-4
Deluge System – Electric Release N-5 – N-6
Components and Accessories (general) N-7
Accessories (Pneumatic Release) N-8
Accessories (Hydraulic Release) N-8
Accessories (Electric Release) N-9
Alarm Devices..... N-10
Special Valves and Trim (Halar® coated valves, brass trim, stainless steel, etc.) N-11 – N-12

Notes

1. Refer to Viking technical data pages for complete product specifications. You may print or download technical data by visiting www.vikinggroupinc.com.
2. List prices effective May 3, 2010. Supersedes September 2008 list price book.
3. All sales by Viking are subject to the terms & conditions found on the last page of this book.

Deluge System - Pneumatic Release

Straight-through valve shown. Also available in angle-style configuration.



SYSTEM COMPONENTS

- A. Valve
 - A.1 Deluge Valve
 - B. Deluge Valve Conventional Trim *
 - (See Deluge Valve Conventional Trim Charts)
 - B.1 Priming Valve (Normally Open)
 - B.2 Strainer
 - B.3 1/16" Restriction
 - B.4 Spring Loaded Check Valve
 - B.5 Alarm Test Valve (Normally Closed)
 - B.6 Auxiliary Drain Valve (Normally Closed)
 - B.7 Drip Check Valve
 - B.8 Drain Check Valve
 - B.9 Alarm Shut-Off Valve (Normally Open)
 - B.10 Pressure Operated Relief Valve (P.O.R.V.)
 - B.11 Emergency Release
 - B.12 Priming Pressure Water Gauge and Valve
 - B.13 Water Supply Pressure Gauge and Valve
 - B.14 Drain cup
 - B.15 Flow Test Valve (Normally Closed)
 - C. Water Flow Alarm Equipment
 - C.1 Alarm Pressure Switch and/or
 - C.2 Water Motor Alarm (Strainer Required)
 - C.3 Strainer
 - D. Riser
 - D.1 Water Supply Control Valve
 - E. Release System
 - E.1 Pneumatic Actuator
 - E.2 Pneumatic Release Module
(See Pneumatic Release Module Trim Chart)
 - E.3 Air Pressure Gauge and Valve
 - E.4 Soft Seat Check Valve
 - E.5 Air Pressure Supervisory Switch
 - E.6 Thermostatic Release and/or
 - E.7 Fixed Temperature Release and/or
 - E.8 Pilot Head (Sprinkler)
 - E.9 Accelerator (Optional. See Inset.)
 - E.10 Accelerator Isolation Valve. (See Inset.)
 - F. Air Supply
 - F.1 Automatic Air Supply. Air Compressor and Tank shown for clarity.
 - F.2 Air Supervisory Pressure Switch (Compressor On/Off Control Switch)
 - F.3 Soft Seat Check Valve
 - F.4 Shut Off Valve (Indicating Ball Valve recommended.)
 - F.5 Dehydrator
 - F.6 Air maintenance Device & By-Pass Trim
- Dashed lines indicate pipe required but not included with Deluge Valve Conventional Trim Packages.
- * Viking Deluge Valve Trim Packages contain items B.1 through B.15 and associated nipples. Viking Accessory Package for Conventional Deluge Valve Trim contains B.2 through B.5, B.7 through B.11, and B.14.
- ** 1/2" (15 mm) NPT for Non-Interruptable Alarm Pressure Switch (Optional)

Above components are included in QuikPik packages as customized by user. See page N-2

Model F Deluge / Preaction Valve* - STRAIGHT THROUGH

IPG V25.4	1-1/2"	2"	2-1/2"	3"	4"	6"	8"
Thread X Thread	<u>12126</u> \$1,959.60	<u>12059</u> \$2,025.42	<u>12401</u> \$2,674.58	N/A	N/A	N/A	N/A
Flange X Flange	N/A	N/A	N/A	<u>12014</u> \$2,674.58	<u>11953</u> \$3,483.90	<u>11955</u> \$4,765.35	<u>11991</u> \$10,794.08
Flange X Groove	N/A	N/A	N/A	<u>12018</u> \$2,674.58	<u>11952</u> \$3,483.90	<u>11954</u> \$4,765.35	N/A
Groove X Groove	<u>12125</u> \$1,959.60	<u>12057</u> \$2,025.42	<u>12403</u> \$2,674.58	<u>12022</u> \$2,674.58	<u>11513</u> \$3,483.90	<u>11524</u> \$4,765.35	<u>11018</u> \$10,794.08

Model E Deluge / Preaction Valve* - ANGLE STYLE

IPG V25.4	1-1/2"	2"	3"	4"	6"
Thread X Thread	<u>09889</u> \$925.46	<u>05852C</u> \$2,063.63	N/A	N/A	N/A
Flange X Flange	N/A	N/A	<u>05912C</u> \$2,725.04	<u>05909C</u> \$3,549.63	<u>05906C</u> \$4,855.26
Flange X Groove	N/A	N/A	<u>05835C</u> \$2,725.04	<u>05839C</u> \$3,549.63	<u>05456C</u> \$4,855.26

See page N-11/12 for additional valve and trim options, including Halar® coated valves, horizontal trim, and brass trim packages.

* Valve is not included in trim packages. Please order separately. See following page for trim packages and equipment.

Deluge System - Pneumatic Release

TrimPac® V25.2A	1-1/2"	2"	2-1/2"	3"	4"	6"	8"
Angle/Straight-Through	<u>13788B-2</u>	<u>13788B-2</u>	<u>13788B-2</u>	<u>13788B-2</u>	<u>13788B-2</u>	<u>13788B-2</u>	<u>13788B-2</u>
	\$3,396.84	\$3,396.84	\$3,396.84	\$3,396.84	\$3,396.84	\$3,396.84	\$3,396.84

TrimPac includes conventional trim, releasing device (pneumatic actuator), releasing trim, and flexible hose kit.

Drain package for TrimPac must be ordered separately (see below).

Drain Package (IPG V25.4E)

Use with TrimPac® (order separately)	<u>11894-1</u>	<u>11894-2</u>	<u>11894-3</u>	<u>11894-3</u>	<u>11894-4</u>	<u>11894-4</u>	<u>11894-4</u>
	\$343.91	\$278.17	\$315.25	\$315.25	\$404.60	\$404.60	\$404.60

1-1/2"	2"	2-1/2"	3"	4"	6"	8"
--------	----	--------	----	----	----	----

Trim (Vertical - Straight Through Valve) - Galvanized (IPG 25.4A / 25.4C)

Loose Trim (incl. accessory pkg-09316)	<u>14634-1</u>	<u>14634-1</u>	<u>14636-1</u>	<u>14636-1</u>	<u>14639-1</u>	<u>14641-1</u>	<u>14642-1</u>
	\$2,205.04	\$2,205.04	\$2,157.92	\$2,157.92	\$2,258.04	\$2,263.33	\$3,278.54
Modular Trim (incl. accessory pkg-09316)	<u>14634-1P</u>	<u>14634-1P</u>	<u>14636-1P</u>	<u>14636-1P</u>	<u>14639-1P</u>	<u>14641-1P</u>	<u>14642-1P</u>
	\$2,405.04	\$2,405.04	\$2,357.92	\$2,357.92	\$2,458.04	\$2,463.33	\$3,478.54

Trim (Vertical - Angle Style Valve) - Galvanized (IPG 25.4A / 25.4C)

Loose Trim (incl. accessory pkg-09316)	<u>14629-1</u>	<u>14630-1</u>	N/A	<u>14631-1</u>	<u>14632-1</u>	<u>14633-1</u>	N/A
	\$2,246.65	\$2,162.48		\$2,198.63	\$2,300.66	\$2,306.04	
Modular Trim (incl. accessory pkg-09316)	<u>14629-1P</u>	<u>14630-1P</u>	N/A	<u>14631-1P</u>	<u>14632-1P</u>	<u>14633-1P</u>	N/A
	\$2,446.65	\$2,362.48		\$2,398.63	\$2,500.66	\$2,506.04	

1-1/2"	2"	2-1/2"	3"	4"	6"	8"
--------	----	--------	----	----	----	----

Releasing Devices (IPG V25.1)

Pneumatic Actuator	<u>06459B</u>	<u>06459B</u>	<u>06459B</u>	<u>06459B</u>	<u>06459B</u>	<u>06459B</u>	<u>06459B</u>
	\$649.12	\$649.12	\$649.12	\$649.12	\$649.12	\$649.12	\$649.12

Releasing Trim - Galvanized (IPG V25.5B)

Loose Trim (releasing device not incl.)	<u>10809</u>	<u>10809</u>	<u>10809</u>	<u>10809</u>	<u>10809</u>	<u>10809</u>	<u>10809</u>
	\$63.25	\$63.25	\$63.25	\$63.25	\$63.25	\$63.25	\$63.25
Modular Trim (releasing device not incl.)	<u>10809-P</u>	<u>10809-P</u>	<u>10809-P</u>	<u>10809-P</u>	<u>10809-P</u>	<u>10809-P</u>	<u>10809-P</u>
	\$282.78	\$282.78	\$282.78	\$282.78	\$282.78	\$282.78	\$282.78
Loose Trim - DOMESTIC (releasing device not incl.)	<u>10809USA</u>	<u>10809USA</u>	<u>10809USA</u>	<u>10809USA</u>	<u>10809USA</u>	<u>10809USA</u>	<u>10809USA</u>
	\$89.39	\$84.33	\$84.33	\$84.33	\$84.33	\$84.33	\$84.33

Trim packages includes deluge valve accessory package (p/n 09316) - See page N-7 for package detail.

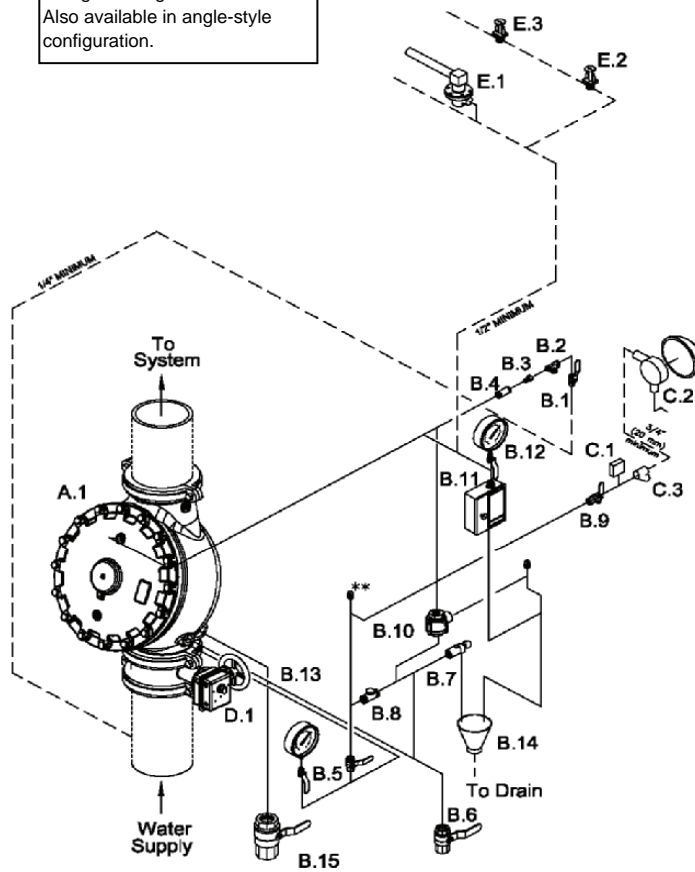
See pages N-11/N-12 for additional valve and trim options, including Halar® coated valves, domestic trim, horizontal trim, brass trim packages.

Viking Quik Pik Packages - Complete packages customized to fit your requirements		
Viking's exclusive Quik Pik packages allow you to customize the components needed in your deluge or preaction system. Contact your customer service center today to see how quick & easy ordering a deluge or preaction system can be.	SQP00010 (1 1/2" - Thread)	SQP00050 (4" - F x G)
	SQP00020 (2" - Thread)	SQP00060 (4" - F x F)
	SQP00030 (3" - F x G)	SQP00070 (6" - F x G)
	SQP00040 (3" - F x F)	SQP00080 (6" - F x F)

See pages N-7 through N-10 for available deluge system accessories & related equipment

Deluge System - Hydraulic Release

Straight-through valve shown.
Also available in angle-style configuration.



----- Dashed lines indicate pipe required but not included with Deluge Valve Conventional Trim Packages.

- * Viking Deluge Valve Trim Packages contain items B.1 through B.15 and associated nipples. Viking Accessory Package for Conventional Deluge Valve Trim contains B.2 through B.5, B.7 through B.11, and B.14.
- ** 1/2" (15 mm) NPT for Non-Interruptible Alarm Pressure Switch (Optional)

SYSTEM COMPONENTS

- A. Valve
 - A.1 Deluge Valve
- B. Deluge Valve Conventional Trim *
 - (See Deluge Valve Conventional Trim Charts)
 - B.1 Priming Valve (Normally Open)
 - B.2 Strainer
 - B.3 1/16" Restriction
 - B.4 Spring Loaded Check Valve
 - B.5 Alarm Test Valve (Normally Closed)
 - B.6 Auxiliary Drain Valve (Normally Closed)
 - B.7 Drip Check Valve
 - B.8 Drain Check Valve
 - B.9 Alarm Shut-Off Valve (Normally Open)
 - B.10 Pressure Operated Relief Valve (P.O.R.V.)
 - B.11 Emergency Release
 - B.12 Priming Pressure Water Gauge and Valve
 - B.13 Water Supply Pressure Gauge and Valve
 - B.14 Drain cup
 - B.15 Flow Test Valve (Normally Closed)
- C. Water Flow Alarm Equipment
 - C.1 Alarm Pressure Switch and/or
 - C.2 Water Motor Alarm (Strainer Required)
 - C.3 Strainer
- D. Riser
 - D.1 Water Supply Control Valve
- E. Release System
 - E.1 Thermostatic Release and/or
 - E.2 Fixed Temperature Release and/or
 - E.3 Pilot Head (Sprinkler)

CAUTION

DO NOT EXCEED MAXIMUM HEIGHT ALLOWED FOR THE HYDRAULIC RELEASE PIPING ABOVE THE DELUGE VALVE.

FOR MAXIMUM HEIGHT ALLOWED, REFER TO CURRENT TECHNICAL DATA DESCRIBING THE VIKING DELUGE VALVE USED.

Components shown above are included in Quik Pik packages as customized by user. See page N-4.

Model F Deluge / Preaction Valve* - STRAIGHT THROUGH

IPG V25.4	1-1/2"	2"	2-1/2"	3"	4"	6"	8"
Thread X Thread	12126 \$1,959.60	12059 \$2,025.42	12401 \$2,674.58	N/A	N/A	N/A	N/A
Flange X Flange	N/A	N/A	N/A	12014 \$2,674.58	11953 \$3,483.90	11955 \$4,765.35	11991 \$10,794.08
Flange X Groove	N/A	N/A	N/A	12018 \$2,674.58	11952 \$3,483.90	11954 \$4,765.35	N/A
Groove X Groove	12125 \$1,959.60	12057 \$2,025.42	12403 \$2,674.58	12022 \$2,674.58	11513 \$3,483.90	11524 \$4,765.35	11018 \$10,794.08

Model E Deluge / Preaction Valve* - ANGLE STYLE

IPG V25.4	1-1/2"	2"	3"	4"	6"
Thread X Thread	09889 \$925.46	05852C \$2,063.63	N/A	N/A	N/A
Flange X Flange	N/A	N/A	05912C \$2,725.04	05909C \$3,549.63	05906C \$4,855.26
Flange X Groove	N/A	N/A	05835C \$2,725.04	05839C \$3,549.63	05456C \$4,855.26

See page N-11/12 for additional valve and trim options, including Halar® coated valves, horizontal trim, and brass trim packages.

Deluge System - Hydraulic Release

	1-1/2"	2"	2-1/2"	3"	4"	6"	8"
Trim (Vertical - Straight Through Valve) - Galvanized (IPG 25.4A / 25.4C)							
<u>Loose Trim</u> <i>(incl. accessory pkg-09316)</i>	<u>14634-1</u> \$2,205.04	<u>14634-1</u> \$2,205.04	<u>14636-1</u> \$2,157.92	<u>14636-1</u> \$2,157.92	<u>14639-1</u> \$2,258.04	<u>14641-1</u> \$2,263.33	<u>14642-1</u> \$3,278.54
<u>Modular Trim</u> <i>(incl. accessory pkg-09316)</i>	<u>14634-1P</u> \$2,405.04	<u>14634-1P</u> \$2,405.04	<u>14636-1P</u> \$2,357.92	<u>14636-1P</u> \$2,357.92	<u>14639-1P</u> \$2,458.04	<u>14641-1P</u> \$2,463.33	<u>14642-1P</u> \$3,478.54

Trim (Vertical - Angle Style Valve) - Galvanized (IPG 25.4A / 25.4C)							
<u>Loose Trim</u> <i>(incl. accessory pkg-09316)</i>	<u>14629-1</u> \$2,246.65	<u>14630-1</u> \$2,162.48	N/A	<u>14631-1</u> \$2,198.63	<u>14632-1</u> \$2,300.66	<u>14633-1</u> \$2,306.04	N/A
<u>Modular Trim</u> <i>(incl. accessory pkg-09316)</i>	<u>14629-1P</u> \$2,446.65	<u>14630-1P</u> \$2,362.48	N/A	<u>14631-1P</u> \$2,398.63	<u>14632-1P</u> \$2,500.66	<u>14633-1P</u> \$2,506.04	N/A

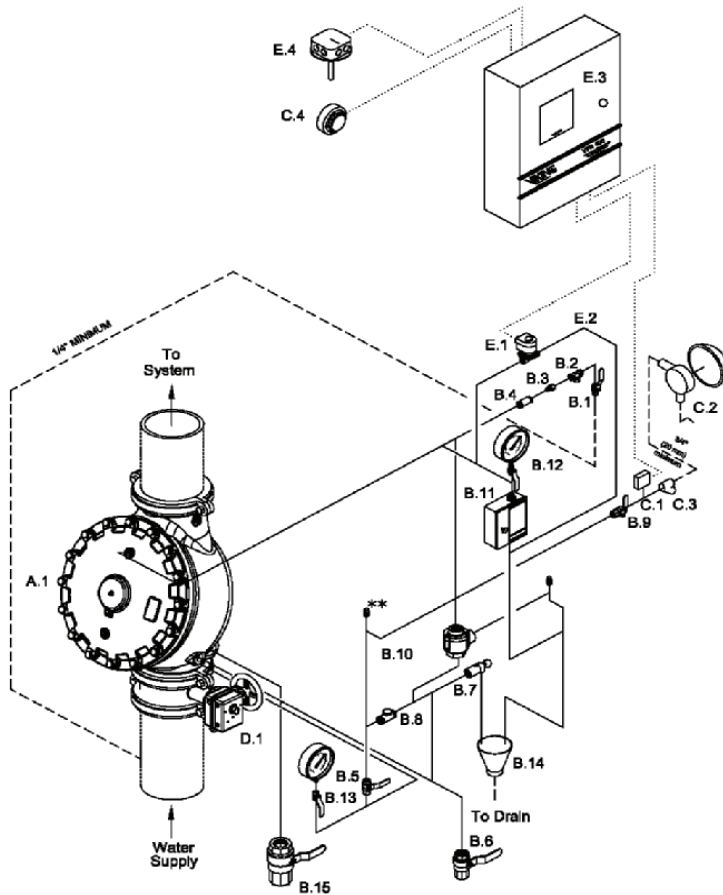
Trim packages includes deluge valve accessory package (p/n 09316) - See page N-7 for package detail.
See pages N-11/12 for additional valve and trim options, including Halar® coated valves, horizontal trim, domestic trim, and brass trim packages.

Viking Quik Pik Packages - Complete packages customized to fit your requirements		
Viking's exclusive Quik Pik packages allow you to customize the components needed in your deluge or preaction system. Contact your customer service center today to see how quick & easy ordering a deluge or preaction system can be.	SQP00090 (1 1/2" - Thread)	SQP00130 (4" - F x G)
	SQP00100 (2" - Thread)	SQP00140 (4" - F x F)
	SQP00110 (3" - F x G)	SQP00150 (6" - F x G)
	SQP00120 (3" - F x F)	SQP00160 (6" - F x F)

See pages N-7 through N-10 for available deluge system accessories & related equipment

Deluge System - Electric Release

Straight-through valve shown. Also available in angle-style configuration.



SYSTEM COMPONENTS

- A. Valve**
 - A.1 Deluge Valve
- B. Deluge Valve Conventional Trim ***
(See Deluge Valve Conventional Trim Charts)
 - B.1 Priming Valve
 - B.2 Strainer
 - B.3 1/16" Restricted Orifice
 - B.4 Spring Loaded Check Valve
 - B.5 Alarm Test Valve (Normally Closed)
 - B.6 Auxiliary Drain Valve (Normally Closed)
 - B.7 Drip Check Valve
 - B.8 Drain Check Valve
 - B.9 Alarm Shut-Off Valve (Normally Open)
 - B.10 Pressure Operated Relief Valve (P.O.R.V.)
 - B.11 Emergency Release
 - B.12 Priming Pressure Water Gauge and Valve
 - B.13 Water Supply Pressure Gauge and Valve
 - B.14 Drain Cup
 - B.15 Flow Test Valve (Normally Closed)
- C. Water Flow Alarm Equipment**
 - C.1 Alarm Pressure Switch and/or
 - C.2 Water Motor Alarm (Strainer Required)
 - C.3 Strainer
 - C.4 Electric Alarm Bell
- D. Riser**
 - D.1 Water Supply Control Valve
- E. Release System**
 - E.1 Solenoid Valve
 - E.2 Electric Release Module Trim
 - E.3 System Control Panel configured for Single Zone Deluge operation.
 - E.4 Electric Detection System. Heat Detector shown for clarity.

--- Dashed lines indicate pipe required but not listed in "System Components" Table.

* Viking Deluge Valve Trim Packages contain items B.1 through B.15 and associated nipples. Viking Accessory Package for Conventional Deluge Valve Trim contains B.2 through B.5, B.7 through B.11, and B.14.

..... Dotted lines indicate electrical detection system wiring required but not listed in "System Components" Table. For additional wiring requirements refer to technical data for components used.

Components shown above are included in Quik Pik packages as customized by user. See page N-6.

Model F Deluge / Preaction Valve* - STRAIGHT THROUGH

IPG V25.4	1-1/2"	2"	2-1/2"	3"	4"	6"	8"
Thread X Thread	12126 \$1,959.60	12059 \$2,025.42	12401 \$2,674.58	N/A	N/A	N/A	N/A
Flange X Flange	N/A	N/A	N/A	12014 \$2,674.58	11953 \$3,483.90	11955 \$4,765.35	11991 \$10,794.08
Flange X Groove	N/A	N/A	N/A	12018 \$2,674.58	11952 \$3,483.90	11954 \$4,765.35	N/A
Groove X Groove	12125 \$1,959.60	12057 \$2,025.42	12403 \$2,674.58	12022 \$2,674.58	11513 \$3,483.90	11524 \$4,765.35	11018 \$10,794.08

Model E Deluge / Preaction Valve* - ANGLE STYLE

IPG V25.4	1-1/2"	2"	3"	4"	6"
Thread X Thread	09889 \$925.46	05852C \$2,063.63	N/A	N/A	N/A
Flange X Flange	N/A	N/A	05912C \$2,725.04	05909C \$3,549.63	05906C \$4,855.26
Flange X Groove	N/A	N/A	05835C \$2,725.04	05839C \$3,549.63	05456C \$4,855.26

See page N-11/12 for additional valve and trim options, including Halar® coated valves, horizontal trim, and brass trim packages.

* Valve is not included in trim packages. Please order separately. See following page for trim packages and equipment.

Deluge System - Electric Release

TrimPac® V25.2A	1-1/2"	2"	2-1/2"	3"	4"	6"	8"
Angle/Straight-Through	<u>13787B-1</u>	<u>13787B-1</u>	<u>13787B-1</u>	<u>13787B-1</u>	<u>13787B-1</u>	<u>13787B-1</u>	<u>13787B-1</u>
	\$3,459.23	\$3,459.23	\$3,459.23	\$3,459.23	\$3,459.23	\$3,459.23	\$3,459.23

TrimPac includes conventional trim, releasing device (pneumatic actuator), releasing trim, and flexible hose kit.
Drain package for TrimPac must be ordered separately (see below).

Drain Package (IPG V25.4E)

Use with TrimPac® (order separately)	11894-1	11894-2	11894-3	11894-3	11894-4	11894-4	11894-4
	\$343.91	\$278.17	\$315.25	\$315.25	\$404.60	\$404.60	\$404.60

	1-1/2"	2"	2-1/2"	3"	4"	6"	8"
Trim (Vertical - Straight Through Valve) - Galvanized (IPG 25.4A / 25.4C)							
Loose Trim (incl. accessory pkg-09316)	<u>14634-1</u>	<u>14634-1</u>	<u>14636-1</u>	<u>14636-1</u>	<u>14639-1</u>	<u>14641-1</u>	<u>14642-1</u>
	\$2,205.04	\$2,205.04	\$2,157.92	\$2,157.92	\$2,258.04	\$2,263.33	\$3,278.54
Modular Trim (incl. accessory pkg-09316)	<u>14634-1P</u>	<u>14634-1P</u>	<u>14636-1P</u>	<u>14636-1P</u>	<u>14639-1P</u>	<u>14641-1P</u>	<u>14642-1P</u>
	\$2,405.04	\$2,405.04	\$2,357.92	\$2,357.92	\$2,458.04	\$2,463.33	\$3,478.54

Trim (Vertical - Angle Style Valve) - Galvanized (IPG 25.4A / 25.4C)

Loose Trim (incl. accessory pkg-09316)	<u>14629-1</u>	<u>14630-1</u>	N/A	<u>14631-1</u>	<u>14632-1</u>	<u>14633-1</u>	N/A
	\$2,246.65	\$2,162.48		\$2,198.63	\$2,300.66	\$2,306.04	
Modular Trim (incl. accessory pkg-09316)	<u>14629-1P</u>	<u>14630-1P</u>	N/A	<u>14631-1P</u>	<u>14632-1P</u>	<u>14633-1P</u>	N/A
	\$2,446.65	\$2,362.48		\$2,398.63	\$2,500.66	\$2,506.04	

	1-1/2"	2"	2-1/2"	3"	4"	6"	8"
Releasing Devices (IPG V29)							
Solenoid Valve	<u>11601</u>	<u>11601</u>	<u>11601</u>	<u>11601</u>	<u>11601</u>	<u>11601</u>	<u>11601</u>
	\$609.12	\$609.12	\$609.12	\$609.12	\$609.12	\$609.12	\$609.12

Releasing Trim - Galvanized (IPG V25.5B)





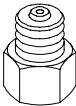
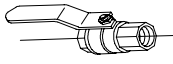
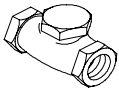
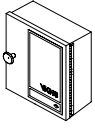

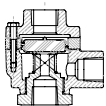


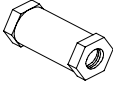
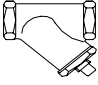
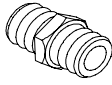
Loose Trim (releasing device not incl.)	<u>10830</u>	<u>10830</u>	<u>10830</u>	<u>10830</u>	<u>10830</u>	<u>10830</u>	<u>10830</u>
	\$65.30	\$65.30	\$65.30	\$65.30	\$65.30	\$65.30	\$65.30
Modular Trim (releasing device not incl.)	<u>10830-P</u>	<u>10830-P</u>	<u>10830-P</u>	<u>10830-P</u>	<u>10830-P</u>	<u>10830-P</u>	<u>10830-P</u>
	\$284.82	\$284.82	\$284.82	\$284.82	\$284.82	\$284.82	\$284.82
Loose Trim - DOMESTIC (releasing device not incl.)	<u>10830USA</u>	<u>10830USA</u>	<u>10830USA</u>	<u>10830USA</u>	<u>10830USA</u>	<u>10830USA</u>	<u>10830USA</u>
	\$87.06	\$87.06	\$87.06	\$87.06	\$87.06	\$87.06	\$87.06

Trim packages includes deluge valve accessory package (p/n 09316) - See page N-7 for package detail.
See pages N-11/N-12 for additional valve and trim options, including Halar® coated valves, horizontal trim, domestic trim, and brass trim packages.

Viking Quik Pik Packages - Complete packages customized to fit your requirements		
Viking's exclusive Quik Pik packages allow you to customize the components needed in your deluge or preaction system. Contact your customer service center today to see how quick & easy ordering a deluge or preaction system can be.	SQP00170 (1 1/2" - Thread)	SQP00210 (4" - F x G)
	SQP00180 (2" - Thread)	SQP00220 (4" - F x F)
	SQP00190 (3" - F x G)	SQP00230 (6" - F x G)
	SQP00200 (3" - F x F)	SQP00240 (6" - F x F)

See pages N-7 through N-10 for available deluge system accessories & related equipment

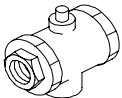
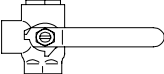
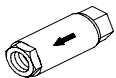
Accessories and Additional Components

Deluge Valve Accessory Package <i>(use with angle style and straight through valves)</i> (included with deluge/preaction trim)		Speed Control Assembly <i>(use with trim to control speed of valve opening)</i>																																						
Includes: - 1/16" Restricted Orifice <u>Galvanized</u> - Emergency Release 09316 - Drip Check \$1,431.06 - 1/4" / 8mm Check Valve - 1/4" / 8mm Strainer <u>Brass</u> - Drain Cup 09743 - PORV \$1,995.94 - Drain Check - 1/2" Ball Valve IPG V25.1		 <u>Galvanized</u> 08780 \$1,033.38 <u>Stainless Steel</u> 11192 \$6,080.89 <u>Brass</u> 11181 \$1,217.55 IPG V25.5																																						
Pressure Operated Relief Valve (PORV) - Model D-1  1/2" / DN15 <u>Brass</u> 13598 \$916.23 IPG V28		Pressure Operated Relief Valve (PORV) - Model D-2  1/2" / DN15 <u>Corrosion Resistant</u> 13858 \$1,409.59 IPG V28																																						
Globe Valve for Gauges (side outlet)  1/4" / DN8 76V-25 \$17.30 IPG V25.1		Restricted Orifice  1/4" (DN8) 1/16" (1.6mm) 10110 \$25.92 <u>Corrosion Resistant</u> 1/16" (1.6mm) 10110J \$56.35 IPG V25.1		Ball Valve  IPG V25.1 <table border="1"> <tr> <th colspan="3"><u>Brass</u></th> <th colspan="2"><u>Stainless Steel</u></th> </tr> <tr> <td>1/4"</td> <td>10354</td> <td>\$19.98</td> <td>10644</td> <td>\$173.43</td> </tr> <tr> <td>1/2"</td> <td>10355</td> <td>\$33.94</td> <td>10645</td> <td>\$174.43</td> </tr> <tr> <td>3/4"</td> <td>09862</td> <td>\$34.69</td> <td>10646</td> <td>\$278.21</td> </tr> <tr> <td>1"</td> <td>10356</td> <td>\$50.37</td> <td>10647</td> <td>\$337.23</td> </tr> <tr> <td>1-1/4"</td> <td>09863</td> <td>\$90.00</td> <td>10648</td> <td>\$642.82</td> </tr> <tr> <td>2"</td> <td>09864</td> <td>\$153.74</td> <td>10649</td> <td>\$872.55</td> </tr> </table>		<u>Brass</u>			<u>Stainless Steel</u>		1/4"	10354	\$19.98	10644	\$173.43	1/2"	10355	\$33.94	10645	\$174.43	3/4"	09862	\$34.69	10646	\$278.21	1"	10356	\$50.37	10647	\$337.23	1-1/4"	09863	\$90.00	10648	\$642.82	2"	09864	\$153.74	10649	\$872.55
<u>Brass</u>			<u>Stainless Steel</u>																																					
1/4"	10354	\$19.98	10644	\$173.43																																				
1/2"	10355	\$33.94	10645	\$174.43																																				
3/4"	09862	\$34.69	10646	\$278.21																																				
1"	10356	\$50.37	10647	\$337.23																																				
1-1/4"	09863	\$90.00	10648	\$642.82																																				
2"	09864	\$153.74	10649	\$872.55																																				
Drain Check Valve  1/2" / DN15 05781A \$62.17 <u>Corrosion Resistant</u> 05781AJ \$130.06 IPG V25.1		Emergency Release  <table border="1"> <tr> <th colspan="2"><u>1/2" (Galvanized)</u></th> <th colspan="2"><u>Brass</u></th> <th colspan="2"><u>Corrosion Resistant</u></th> </tr> <tr> <td colspan="2"><u>Model C-1</u></td> <td colspan="2"><u>Model C-2</u></td> <td colspan="2"><u>Model C-3</u></td> </tr> <tr> <td>01553C</td> <td>\$341.46</td> <td>09387</td> <td>\$398.36</td> <td>09734</td> <td>\$873.64</td> </tr> </table> IPG V25.1		<u>1/2" (Galvanized)</u>		<u>Brass</u>		<u>Corrosion Resistant</u>		<u>Model C-1</u>		<u>Model C-2</u>		<u>Model C-3</u>		01553C	\$341.46	09387	\$398.36	09734	\$873.64																			
<u>1/2" (Galvanized)</u>		<u>Brass</u>		<u>Corrosion Resistant</u>																																				
<u>Model C-1</u>		<u>Model C-2</u>		<u>Model C-3</u>																																				
01553C	\$341.46	09387	\$398.36	09734	\$873.64																																			
Drain Cup  1 1/2" / DN40 01019B \$98.63 IPG V25.1		Prime Shut-Off Valve  1/2" / DN15 10723 \$663.51 <u>Corrosion Resistant</u> 10724 \$891.93 IPG V25.1		Drip Check Valve - Model D-1  3/4" / DN20 10730 \$162.74 <u>Corrosion Resistant</u> 10733 \$184.27 IPG V25.1		Water Gauge  0-300 psi 1/4" VWATERSF \$21.04																																		
In-Line Check Valve  1/4" / DN8 04947A \$104.11 <u>Stainless Steel</u> 09741 \$167.15 IPG V25.1		Y Strainer  1/4" / DN15 14BYS \$16.10 <u>Corrosion Resistant</u> 09742 \$201.60 IPG V25.1		Restricted Orifice  5/64" / 2mm 1/2" / DN15 11706 \$49.93 IPG V25.1																																				

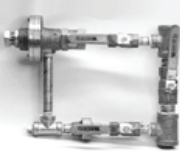
Accessories for TrimPac®

Replacement Hose Flexible braided hose 11895 \$224.20 (5' length, stainless steel / Teflon®) PVC drain hose 12071 \$95.16 V25.2A		Riser Mounting Kit (use when mounting TrimPac unit to riser) <u>Vertical</u> 11900 \$660.81 <u>Horizontal</u> 11901 \$908.65 V25.2A	
---	--	--	--




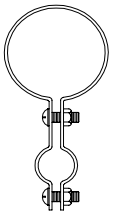
Accessories for Old Style Trim

Model A-2 Strainer Orifice Check Vlv  1/4" (DN8) 06579B \$309.85 IPG V25.1		Alarm Test/Alarm Shut-Off Valve  1/2" (DN15) 06174A \$244.48 IPG V25.1		Spring Loaded Check Valve (with viton disc)  1/2" (DN15) 08431 \$43.78 IPG V25.1	
--	--	--	--	---	--




Accessories for Pneumatic Release Systems


<p>Pneumatic Actuator</p>  <p>1/2" (DN15) Model H-1 06459B \$649.12 Corrosion Resistant (Model R-1) 09733 \$902.06 IPG V25.1</p>	<p>Accelerator (Model E-1)</p>  <p>Model E-1 List 08055 \$988.77 IPG V25.1</p>
<p>Model D-2 - Air Pressure Maintenance Device</p>  <p>Size Part # List Price 1/4" / DN8 02280C \$541.66 IPG V25.1</p>	<p>Model D-2 - Air Pressure Maintenance Device</p>  <p>Size Part # List Price 1/2" / DN15 07459 \$829.61 DOMESTIC Size Part # List Price 1/2" / DN15 07459USA \$1,106.14 IPG V25.1</p>
<p>Dehydrator Package</p> <p>Includes:</p> <ul style="list-style-type: none"> - Desiccant 1/4" (DN8) 01285A \$1,117.02 - Mounting Brackets - Nipples Extra Desiccant* 02535A \$252.91 <p>IPG V25.1 *one unit fills dehydrator</p>	<p>Replacement Restriction</p> <p>Release Line Air Supply</p>  <p>Part # List Price 02902B \$114.38 IPG V25.1</p>

Accessories for Pneumatic and Hydraulic Systems

<p>Fixed Temperature Release (Model M HP - VK800) IPG V25.1</p> <p>1/2" (15 mm) - RATED TO 250 PSI (1724 kPa)</p>  <table border="1"> <tr> <td>Brass</td> <td>07848A_</td> <td>\$33.55</td> <td>White</td> <td>07848M_ /W</td> <td>\$35.97</td> </tr> <tr> <td>Chrome</td> <td>07848F_</td> <td>\$35.97</td> <td>Black</td> <td>07848N_</td> <td>\$45.81</td> </tr> </table> <p>Add the temperature suffix to the part number: (°F/°C) A=135°/57°, B=155°/68°, D=175°/79°, E=200°/93°, G=286°/141°</p>		Brass	07848A_	\$33.55	White	07848M_ /W	\$35.97	Chrome	07848F_	\$35.97	Black	07848N_	\$45.81																								
Brass	07848A_	\$33.55	White	07848M_ /W	\$35.97																																
Chrome	07848F_	\$35.97	Black	07848N_	\$45.81																																
<p>Thermostatic Release (Model C-1)</p> <p>(Includes 155°F/68°C fixed temperature release)</p> <ul style="list-style-type: none"> - indoor and outdoor use  <p>Standard 01432C \$1,057.63 Nitrogen Tested 05006A \$1,139.33 IPG V25.1</p>	<p>Replacement Fixed Temperature Release</p> <p>155°F/68°C</p>  <p>Model C-1 07848FB \$35.97 Model C-2 07848CB \$42.88 IPG V25.1</p>																																				
<p>Thermostatic Release (Model C-2)</p> <p>(Includes 155°F/68°C fixed temperature release)</p> <ul style="list-style-type: none"> - indoor and outdoor use - corrosion resistant - for use in salt water environments <table border="1"> <tr> <td>Standard</td> <td>03991C-18</td> <td>\$1,258.56</td> <td>Nitrogen Tested</td> <td>10367</td> <td>\$1,340.26</td> </tr> </table> <p>IPG V25.1</p>		Standard	03991C-18	\$1,258.56	Nitrogen Tested	10367	\$1,340.26																														
Standard	03991C-18	\$1,258.56	Nitrogen Tested	10367	\$1,340.26																																
<p>Operation Indicator IPG V25.1</p> <p>Includes:</p> <ul style="list-style-type: none"> - indoor and outdoor use 1/2" (DN15) 02944A \$41.50 - corrosion resistant 	<p>Adjustment Kit</p> <p>Includes: Model C-1 and C-2</p> <ul style="list-style-type: none"> - indoor and outdoor use 01714A \$126.44 - corrosion resistant <p>IPG V25.1</p>																																				
<p>Release Line Hangers IPG V25.1</p> <p>- includes two screws/nuts</p>  <table border="1"> <tr> <td>1" / DN25</td> <td>09574</td> <td>\$14.13</td> <td>3 1/2" / DN90</td> <td>09580</td> <td>\$14.13</td> </tr> <tr> <td>1 1/4" / DN32</td> <td>09575</td> <td>\$14.13</td> <td>4" / DN100</td> <td>09581</td> <td>\$20.65</td> </tr> <tr> <td>1 1/2" / DN40</td> <td>09576</td> <td>\$14.13</td> <td>5" / DN125</td> <td>09582</td> <td>\$20.65</td> </tr> <tr> <td>2" / DN50</td> <td>09577</td> <td>\$14.13</td> <td>6" / DN150</td> <td>09583</td> <td>\$20.65</td> </tr> <tr> <td>2 1/2" / DN65</td> <td>09578</td> <td>\$14.13</td> <td>8" / DN200</td> <td>09584</td> <td>\$20.65</td> </tr> <tr> <td>3" / DN80</td> <td>09579</td> <td>\$14.13</td> <td colspan="3">Stainless steel available upon request at additional cost. Add suffix "SST" to base part number.</td> </tr> </table>		1" / DN25	09574	\$14.13	3 1/2" / DN90	09580	\$14.13	1 1/4" / DN32	09575	\$14.13	4" / DN100	09581	\$20.65	1 1/2" / DN40	09576	\$14.13	5" / DN125	09582	\$20.65	2" / DN50	09577	\$14.13	6" / DN150	09583	\$20.65	2 1/2" / DN65	09578	\$14.13	8" / DN200	09584	\$20.65	3" / DN80	09579	\$14.13	Stainless steel available upon request at additional cost. Add suffix "SST" to base part number.		
1" / DN25	09574	\$14.13	3 1/2" / DN90	09580	\$14.13																																
1 1/4" / DN32	09575	\$14.13	4" / DN100	09581	\$20.65																																
1 1/2" / DN40	09576	\$14.13	5" / DN125	09582	\$20.65																																
2" / DN50	09577	\$14.13	6" / DN150	09583	\$20.65																																
2 1/2" / DN65	09578	\$14.13	8" / DN200	09584	\$20.65																																
3" / DN80	09579	\$14.13	Stainless steel available upon request at additional cost. Add suffix "SST" to base part number.																																		

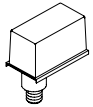
Accessories for Electric Release Systems

SOLENOID VALVES (1/2" / DN15)			IPG V29	
Normally Closed (rated to 250 psi (1724 kPa))				
	<u>Deluge & Preaction, SureFire</u>		<u>Part No.</u>	<u>List Price</u>
	NEMA 1,2,3,3S,4,4X	24 VDC	11601	\$609.12
	<u>Explosion Proof</u>			
	NEMA 3,3S,4,4X,6,6P,7,9	24 VDC	11602	\$1,018.00
Normally Closed (rated to 300 psi (2068 kPa))				
	<u>Firecycle III, TotalPac & Special Application</u>			
	NEMA 2,3,3S,4,4X	24 VDC	11591	\$777.70
	NEMA 1,2,3,3S,4,4X	110 VAC/50 HZ	11593	\$661.78
	NEMA 1,2,3,3S,4,4X	120 VAC/60 HZ	11593	\$661.78
	<u>Explosion Proof</u>			
	NEMA 3,3S,4,4X,6,6P,7,9	24 VDC	11592	\$1,018.00
	NEMA 3,3S,4,4X,6,6P,7,9	110 VAC/50 HZ	11594	\$899.95
	NEMA 3,3S,4,4X,6,6P,7,9	120 VAC/60 HZ	11594	\$899.95
	ATEX, EEx, mll, T4/T5	110 VAC/50 HZ	12359	\$1,068.55
	ATEX, EEx, mll, T4/T5	24 VDC	12360	\$1,186.57
	<u>ESFR Cold Storage System</u>	3/4" / DN20		
NEMA 1,2,3,3S,4,4X	120 VAC	12955	\$421.11	
NEMA 1,2,3,3S,4,4X	110VAC	13194	\$876.09	
NEMA 1,2,3,3S,4,4X	120VAC/60 HZ	13288	\$392.67	
Normally Open				
	<u>Firecycle III</u>			
	NEMA 2,3,3S,4,4X	24 VDC	11595	\$1,294.07
	<u>Surefire & TrimPac</u>			
	NEMA 2,3,3S,4,4X	24 VDC	13215	\$1,294.07
	<u>Explosion Proof</u>			
NEMA 3,3S,4,4X,6,6P,7,9	24 VDC	11596	\$1,804.11	
ATEX, EEx, mll, T4/T5	24 VDC	12358	\$1,972.68	

RELEASE CONTROL PANEL (VFR-400)			IPG V27	
VFR-400 Release Control Panel				
<ul style="list-style-type: none"> - Multi-hazard operation - Features on board, menu driven programming - Four Class B initiating circuits - Two Class B supervisory circuits** - Four Class B output circuits - Programmable cross zoning - 12 standard programs (program options for Viking preaction, deluge, Surefire® and Firecycle® systems) 		<u>Part No.</u>	<u>List Price</u>	
		14152	\$2,658.68	
			<i>* see below for accessories and optional modules</i>	
Optional Modules / Accessories				
CA2Z Module (class A initiating device circuit):	<u>Part No.</u>	<u>List Price</u>	Batteries (two required per panel)	
CAM2 Module (class A indicating appliance circuit):	14155	\$158.72	<u>Part No.</u>	<u>List Price</u>
ARM-1/ARM-2 Module (auxiliary relay module):	14156	\$182.53	8 Amp	07920 \$144.79
RA-4410-RC (remote annunciator):	14157	\$230.16	12 Amp	07921 \$293.80
	14154	\$833.31	18 Amp	09867 \$533.22
	<u>Part No.</u>	<u>List Price</u>	Battery Cabinet	
MR-101/T SPDT Relay Module:	14159	\$93.25	<u>Part No.</u>	<u>List Price</u>
MR-201 DPDT Relay Module:	14160	\$117.06	09866	\$502.45
MR801/T SPDT Relay w/Led Indicator:	14161	\$49.60		
ELOD Resistor/Diode:	14162	\$23.81		
ELOR Resistor:	14163	\$1.98		

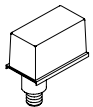
Alarm Devices

Alarm Pressure Switch - IPG V25.1

<u>Adjustable Range (4-20 psi)</u>			<u>Explosion Proof</u>		
<u>1/2" / DN50</u>			Dual SPDT	10382	\$1,020.11
Single SPDT	PS101A	\$145.62	Dual SPDT	10381*	\$1,020.11
Dual SPDT	PS102A	\$173.21	* Cenelec approved		
	<u>Cover Access Key</u>		<u>Pressure Adj Access Key</u>		
	09600	\$13.27		10600	\$17.71
	<u>Cover Tamper Switch Kit</u>		<u>Cover Removal Key</u>		
	09601	\$90.63		10601	\$17.71

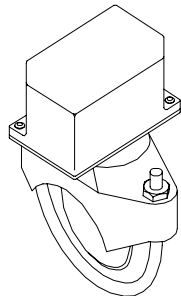
* Appropriate hex keys included with switches.

Pressure Supervisory Switch (Air, Nitrogen, Water) - IPG V25.1



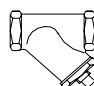
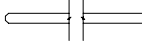

<u>Adjustable Range (10-175 psi)</u>			<u>Explosion Proof</u>		
<u>1/2" / DN50</u>			Dual SPDT	10380	\$1,167.61
Single SPDT	PS401A	\$136.73	Dual SPDT	10379*	\$1,167.61
Dual SPDT	PS402A	\$162.64	* Cenelec approved		
	<u>Cover Access Key</u>		<u>Pressure Adj Access Key</u>		
	09600	\$12.52		10600	\$17.71
	<u>Cover Tamper Switch Kit</u>		<u>Cover Removal Key</u>		
	09601	\$85.50		10601	\$17.71

* Appropriate hex keys included with switches.

Flow Switch - SR010

<u>Waterflow Indicators</u>			
<i>(adjustable retard up to 120 sec. - 2 SPDT contacts)</i>			
<u>Model VSR</u>			
1 1/2" / DN40	VSRF0150	\$222.74	
2" / DN50	VSRF0200	\$222.74	
2 1/2" / DN65	VSRF0250	\$222.74	
3" / DN80	VSRF0300	\$222.74	
3 1/2" / DN90	VSRF0350	\$222.74	
4" / DN100	VSRF0400	\$222.74	
5" / DN125	VSRF0500	\$222.74	
6" / DN150	VSRF0600	\$222.74	
8" / DN200	VSRF0800	\$251.09	
10" / DN250	VSRF1000	\$627.02	

Water Motor Alarm and Accessories - IPG V25.1

<u>Water Motor Alarm</u>		<u>Closure Plate</u>	
	<u>Model F-2</u>		
	07862 \$649.12	05820B	\$82.19
<u>Adjustable Shaft</u>		<u>Alarm Line Y Strainer</u>	
<i>(wall thickness up to 30-1/4 in / 768 mm)</i>			<u>3/4" (DN20)</u>
	03312B \$78.86	01489A	\$119.93
<u>Extension Cup</u>			
	05957B \$65.77		

Special Valves and Trim

HALAR® Coated Deluge / Preaction Valves (Model E-2/F-2)

Straight-Through (Model F-2)

IPG V25.4	1-1/2"	2"	2-1/2"	3"	4"	6"	8"
Thread X Thread	N/A	N/A	<u>12402Q/B</u> \$4,190.23	N/A	N/A	N/A	N/A
Flange X Flange	N/A	N/A	N/A	<u>12015Q/B</u> \$4,190.23	<u>11960Q/B</u> \$5,606.18	<u>11962Q/B</u> \$7,501.91	<u>11992Q/B</u> \$15,704.75
Flange X Groove	N/A	N/A	N/A	<u>12019Q/B</u> \$4,190.23	<u>11959Q/B</u> \$5,606.18	<u>11961Q/B</u> \$7,501.91	N/A
Groove X Groove	<u>12127Q/B</u> \$3,104.52	<u>12058Q/B</u> \$3,112.96	<u>12404Q/B</u> \$4,190.23	<u>12023Q/B</u> \$4,190.23	<u>11514Q/B</u> \$5,606.18	<u>11525Q/B</u> \$7,501.91	<u>11118Q/B</u> \$14,946.07

Angle Style (Model E-2)

IPG V25.4	1-1/2"	2"	2-1/2"	3"	4"	6"	8"
Thread X Thread	<u>09890Q/B</u> \$1,750.13	<u>08361Q/B</u> \$3,171.69	N/A	N/A	N/A	N/A	N/A
Flange X Flange	N/A	N/A	N/A	<u>08362Q/B</u> \$4,269.30	<u>08363Q/B</u> \$5,553.30	<u>08364Q/B</u> \$7,431.13	N/A
Flange X Groove	N/A	N/A	N/A	<u>11064Q/B</u> \$4,269.30	<u>11065Q/B</u> \$5,711.96	<u>11001Q/B</u> \$7,643.46	N/A

HORIZONTAL TRIM - Conventional Deluge / Preaction Trim

Galvanized (use with straight through valves)

IPG V25.4A/C	1-1/2"	2"	2-1/2"	3"	4"	6"	8"
Loose Trim <i>(incl. accessory pkg-09316)</i>	<u>14635-1</u> \$2,205.04	<u>14635-1</u> \$2,205.04	<u>14637-1</u> \$2,157.92	<u>14637-1</u> \$2,157.92	<u>14638-1</u> \$2,258.04	<u>14640-1</u> \$2,263.33	<u>14643-1</u> \$3,278.54
Modular Trim <i>(incl. accessory pkg-09316)</i>	<u>14635-1P</u> \$2,405.04	<u>14635-1P</u> \$2,405.04	<u>14637-1P</u> \$2,357.92	<u>14637-1P</u> \$2,357.92	<u>14638-1P</u> \$2,458.04	<u>14640-1P</u> \$2,463.33	<u>14643-1P</u> \$3,478.54

* Galvanized vertical trim found on page N-6.

BRASS TRIMS - Conventional Deluge / Preaction Trim

Angle Style Valves

IPG V25.4B	1-1/2"	2"	2-1/2"	3"	4"	6"	8"
Loose Trim <i>(incl. accessory pkg-09316)</i>	<u>14629-2</u> \$3,615.13	<u>14630-2</u> \$3,352.75	N/A	<u>14631-2</u> \$3,433.47	<u>14632-2</u> \$3,668.71	<u>14633-2</u> \$3,711.04	N/A
Modular Trim <i>(incl. accessory pkg-09316)</i>	<u>14629-2P</u> \$3,834.66	<u>14630-2P</u> \$3,572.27	N/A	<u>14631-2P</u> \$3,652.99	<u>14632-2P</u> \$3,888.24	<u>14633-2P</u> \$3,930.57	N/A

Straight Through Valves - VERTICAL

IPG V25.4B	1-1/2"	2"	2-1/2"	3"	4"	6"	8"
Loose Trim <i>(incl. accessory pkg-09316)</i>	<u>14634-2</u> \$3,548.19	<u>14634-2</u> \$3,548.19	<u>14636-2</u> \$3,369.89	<u>14636-2</u> \$3,369.89	<u>14639-2</u> \$3,600.77	<u>14641-2</u> \$3,642.32	<u>14642-2</u> \$4,538.39
Modular Trim <i>(incl. accessory pkg-09316)</i>	<u>14634-2P</u> \$3,767.72	<u>14634-2P</u> \$3,767.72	<u>14636-2P</u> \$3,589.41	<u>14636-2P</u> \$3,589.41	<u>14639-2P</u> \$3,820.30	<u>14641-2P</u> \$3,861.84	<u>14642-2P</u> \$4,757.91

Straight Through Valves - HORIZONTAL

IPG V25.4B	1-1/2"	2"	2-1/2"	3"	4"	6"	8"
Loose Trim <i>(incl. accessory pkg-09316)</i>	<u>14635-2</u> \$3,548.19	<u>14635-2</u> \$3,548.19	<u>14637-2</u> \$3,369.89	<u>14637-2</u> \$3,369.89	<u>14638-2</u> \$3,600.77	<u>14640-2</u> \$3,642.32	<u>14643-2</u> \$4,538.39
Modular Trim <i>(incl. accessory pkg-09316)</i>	<u>14635-2P</u> \$3,767.72	<u>14635-2P</u> \$3,767.72	<u>14637-2P</u> \$3,589.41	<u>14637-2P</u> \$3,589.41	<u>14638-2P</u> \$3,820.30	<u>14640-2P</u> \$3,861.84	<u>14643-2P</u> \$4,757.91

Special Valves and Trim

BRASS - Releasing Trims

IPG V25.5B1	Pneumatic	Electric Pneumatic	Electric	Pneumatic Pneumatic
<u>Loose Trim</u> <i>(releasing device not incl.)</i>	<u>10811</u> \$167.53	<u>12661-2</u> \$139.84	<u>10832</u> \$188.51	<u>12662-2</u> \$892.28
<u>Modular Trim</u> <i>(releasing device not incl.)</i>	<u>10811-P</u> \$387.06	<u>12661-2P</u> \$359.36	<u>10832-P</u> \$408.04	<u>12662-2P</u> \$1,111.81

STAINLESS STEEL - Conventional Deluge Trim

Straight Through Valves - VERTICAL

V25.4D	1-1/2"	2"	2-1/2"	3"	4"	6"	8"
<u>Loose Trim</u>	<u>14649</u> \$6,068.44	<u>14649</u> \$6,068.44	<u>14651</u> \$6,506.53	<u>14651</u> \$6,506.53	<u>14654</u> \$7,111.39	<u>14656</u> \$7,140.61	<u>14657</u> \$7,165.57
<u>Modular Trim</u>	<u>14649P</u> \$6,333.44	<u>14649P</u> \$6,333.44	<u>14651P</u> \$6,771.53	<u>14651P</u> \$6,771.53	<u>14654P</u> \$7,376.39	<u>14656P</u> \$7,405.61	<u>14657P</u> \$7,430.57

DOMESTIC TRIM¹ - Model F - Galvanized

Straight Through Valves - VERTICAL

V25.4D	1-1/2"	2"	2-1/2"	3"	4"	6"	8"
<u>Loose Trim</u>	<u>14634-1USA</u> \$2,940.06	<u>14634-1USA</u> \$2,940.06	<u>14636-1USA</u> \$2,877.22	<u>14636-1USA</u> \$2,877.22	<u>14639-1USA</u> \$3,010.73	<u>14641-1USA</u> \$3,017.78	<u>14642-1USA</u> \$4,371.39

(1) Meets sourcing requirements of the Buy American Act, American Reinvestment and Recovery Act, and the Buy American Law. Contact customer service for availability.

