



**TABLE OF CONTENTS**

Model G Preaction Systems ..... O-1

Single Interlocked – Pneumatic Release .....O-2 – O-3

Single Interlocked – Electric Release.....O-4 – O-5

Double Interlocked – Pneumatic/Pneumatic Release.....O-6– O-7

Double Interlocked – Electric/Pneumatic Release .....O-8 – O-9

Double Interlocked – Electric/Pneumatic Release ..... O-10 – O-11

SureFire® Preaction Systems ..... O-12 – O-13

Components and Accessories (general) ..... O-14

Accessories (Pneumatic Release)..... O-15

Accessories (Hydraulic Release) ..... O-15

Accessories (Electric Release) ..... O-16

Alarm Devices..... O-17

Special Valves and trim (Halar® coated valves, brass trim, etc.)..... O-18 – O-19

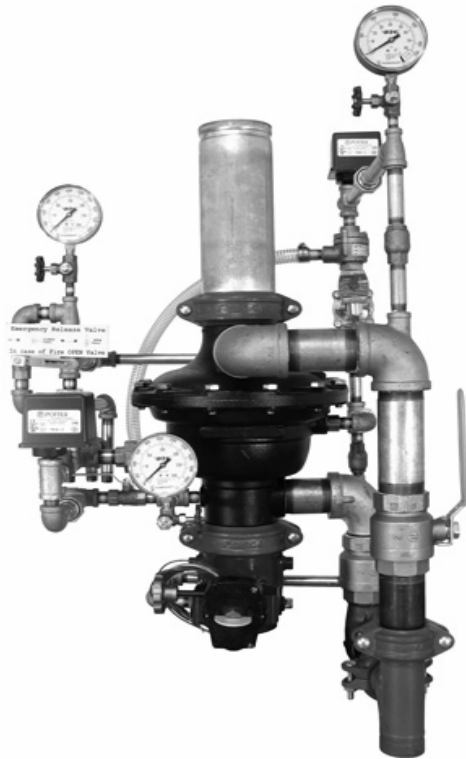
**Notes**

1. Refer to Viking technical data pages for complete product specifications. You may print or download technical data by visiting [www.vikinggroupinc.com](http://www.vikinggroupinc.com).
2. List prices effective May 3, 2010. Supersedes September 2008 list price book.
3. All sales by Viking are subject to the terms & conditions found on the last page of this book.

*SureFire® is a registered trademark of The Viking Corporation*



**Model G (Complete, Pre-Assembled Preaction Systems)**



**Model G preaction systems include the following:**

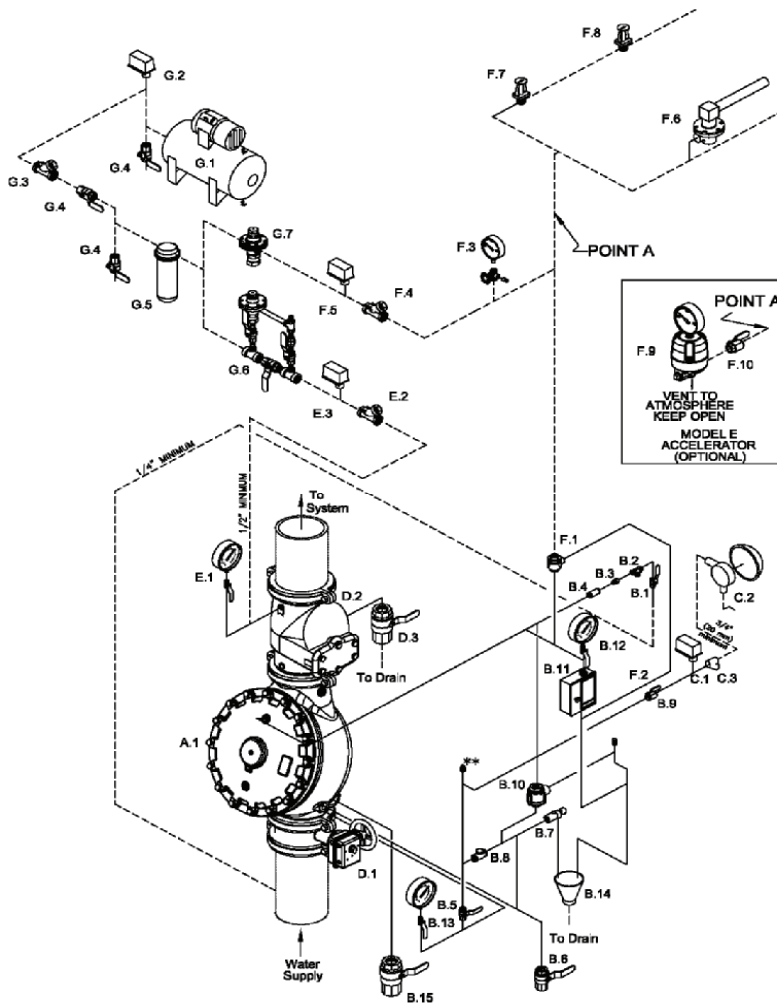
- Model G Deluge Valve
- Model G Preaction Trim Package
- Water Supply Control Valve
- Air Pressure Supervisory Switch (PS40-2A)
- Alarm Pressure Switch (PS10-1A)
- 12" (0,3 m) Section of Galvanized Schedule 10 Pipe (w/ coupling)

| Model   | System Type                                  | Size | Part Number | IPG    | List Price  |
|---------|--|------|-------------|--------|-------------|
| G-2000P | Single Interlock, Electric Release           | 2"   | 16187-1     | V26.1F | \$6,919.51  |
| G-3000P | Single Interlock, Electric Release           | 3"   | 16190-1     | V26.1F | \$7,219.54  |
| G-4000P | Single Interlock, Electric Release           | 4"   | 15651-1     | V26.1F | \$7,675.29  |
| G-2000P | Double Interlock, Electric/Pneumatic Release | 2"   | 16188-1     | V26.1F | \$7,772.98  |
| G-3000P | Double Interlock, Electric/Pneumatic Release | 3"   | 16191-1     | V26.1F | \$8,771.87  |
| G-4000P | Double Interlock, Electric/Pneumatic Release | 4"   | 15653-1     | V26.1F | \$9,538.71  |
| G-2000P | SureFire® Fail Safe Preaction System         | 2"   | 16189-1     | V26.1F | \$8,940.57  |
| G-3000P | SureFire® Fail Safe Preaction System         | 3"   | 16192-1     | V26.1F | \$10,045.41 |
| G-4000P | SureFire® Fail Safe Preaction System         | 4"   | 15648-1     | V26.1F | \$10,783.78 |

Refer to pages O-14 through O-17 for additional preaction components and accessories

**Preaction System - Single Interlocked - Pneumatic Release**

Straight-through valve shown. Also available in angle-style configuration.



**SYSTEM COMPONENTS**

- A. Valve
  - A.1 Deluge Valve
- B. Deluge Valve Conventional Trim \*
  - (See Deluge Valve Conventional Trim Charts)
  - B.1 Priming Valve (Normally Open)
  - B.2 Strainer
  - B.3 1/16" Restricted Orifice
  - B.4 Spring Loaded Check Valve
  - B.5 Alarm Test Valve (Normally Closed)
  - B.6 Auxiliary Drain Valve (Normally Closed)
  - B.7 Drip Check Valve
  - B.8 Drain Check Valve
  - B.9 Alarm Shut-Off Valve (Normally Open)
  - B.10 Pressure Operated Relief Valve (P.O.R.V.)
  - B.11 Emergency Release
  - B.12 Priming Pressure Water Gauge and Valve
  - B.13 Water Supply Pressure Gauge and Valve
  - B.14 Drain Cup
  - B.15 Flow Test Valve (Normally Closed)
- C. Water Flow Alarm Equipment
  - C.1 Alarm Pressure Switch and/or
  - C.2 Water Motor Alarm (Strainer Required)
  - C.3 Strainer
- D. Riser
  - D.1 Water Supply Control Valve
  - D.2 Easy Riser Check Valve or rubber seated check valve
  - D.3 Sprinkler System Main Drain
- E. Supervisory Air Supply
  - E.1 System Pressure Gauge and Valve
  - E.2 Soft Seat Swing Check Valve
  - E.3 Air Pressure Supervisory Switch
- F. Release System
  - F.1 Pneumatic Actuator
  - F.2 Pneumatic Release Module Trim
  - F.3 Air Pressure Gauge and Valve
  - F.4 Soft Seat Check Valve
  - F.5 Air Pressure Supervisory Switch
  - F.6 Thermostatic Release and/or
  - F.7 Fixed Temperature Release and/or
  - F.8 Pilot Head (Sprinkler)
  - F.9 Accelerator (Optional. See Inset.)
  - F.10 Accelerator Isolation Valve (See Inset.)
- G. Air Supply
  - G.1 Automatic Air Supply, Air Compressor and Tank shown for clarity.
  - G.2 Air Supervisory Pressure Switch (Compressor On/Off Control Switch)
  - G.3 Soft Seat Check Valve
  - G.4 Shut Off Valve (Indicating Ball Valve recommended.)
  - G.5 Dehydrator
  - G.6 Air maintenance Device & By-Pass Trim
  - G.7 Air maintenance Device

Components shown above are included in Quik Pik packages as customized by user. See page O-3.

**Model F Deluge / Preaction Valve\* - STRAIGHT THROUGH**

| IPG V25.4       | 1-1/2"                     | 2"                         | 2-1/2"                     | 3"                         | 4"                         | 6"                         | 8"                          |
|-----------------|----------------------------|----------------------------|----------------------------|----------------------------|----------------------------|----------------------------|-----------------------------|
| Thread X Thread | <u>12126</u><br>\$1,959.60 | <u>12059</u><br>\$2,025.42 | <u>12401</u><br>\$2,674.58 | N/A                        | N/A                        | N/A                        | N/A                         |
| Flange X Flange | N/A                        | N/A                        | N/A                        | <u>12014</u><br>\$2,674.58 | <u>11953</u><br>\$3,483.90 | <u>11955</u><br>\$4,765.35 | <u>11991</u><br>\$10,794.08 |
| Flange X Groove | N/A                        | N/A                        | N/A                        | <u>12018</u><br>\$2,674.58 | <u>11952</u><br>\$3,483.90 | <u>11954</u><br>\$4,765.35 | N/A                         |
| Groove X Groove | <u>12125</u><br>\$1,959.60 | <u>12057</u><br>\$2,025.42 | <u>12403</u><br>\$2,674.58 | <u>12022</u><br>\$2,674.58 | <u>11513</u><br>\$3,483.90 | <u>11524</u><br>\$4,765.35 | <u>11018</u><br>\$10,794.08 |

**Model E Deluge / Preaction Valve\* - ANGLE STYLE**

| IPG V25.4       | 1-1/2"                   | 2"                          | 3"                          | 4"                          | 6"                          |
|-----------------|--------------------------|-----------------------------|-----------------------------|-----------------------------|-----------------------------|
| Thread X Thread | <u>09889</u><br>\$925.46 | <u>05852C</u><br>\$2,063.63 | N/A                         | N/A                         | N/A                         |
| Flange X Flange | N/A                      | N/A                         | <u>05912C</u><br>\$2,725.04 | <u>05909C</u><br>\$3,549.63 | <u>05906C</u><br>\$4,855.26 |
| Flange X Groove | N/A                      | N/A                         | <u>05835C</u><br>\$2,725.04 | <u>05839C</u><br>\$3,549.63 | <u>05456C</u><br>\$4,855.26 |

See page O-18/19 for additional valve and trim options, including Halar® coated valves, horizontal trim, domestic trim, and brass trim packages.

\* Valve is not included in trim packages. Please order separately. See following page for trim packages and equipment.

**Preaction System - Single Interlocked - Pneumatic Release**

| TrimPac® V25.2A        | 1-1/2"                        | 2"                            | 2-1/2"                        | 3"                            | 4"                            | 6"                            | 8"                            |
|------------------------|-------------------------------|-------------------------------|-------------------------------|-------------------------------|-------------------------------|-------------------------------|-------------------------------|
| Angle/Straight-Through | <u>13793B-4</u><br>\$3,396.84 | <u>13793B-4</u><br>\$3,396.84 | <u>13793B-4</u><br>\$3,396.84 | <u>13793B-4</u><br>\$3,396.84 | <u>13793B-4</u><br>\$3,396.84 | <u>13793B-4</u><br>\$3,396.84 | <u>13793B-4</u><br>\$3,396.84 |

TrimPac includes conventional trim, releasing device (pneumatic actuator), releasing trim, and flexible hose kit.  
Drain package for TrimPac must be ordered separately (see below).

**Drain Package (IPG V25.4E)**

| Use with TrimPac®<br>(order separately) | 11894-1  | 11894-2  | 11894-3  | 11894-3  | 11894-4  | 11894-4  | 11894-4  |
|---|----------|----------|----------|----------|----------|----------|----------|
|   | \$343.91 | \$278.17 | \$315.25 | \$315.25 | \$404.60 | \$404.60 | \$404.60 |

| 1-1/2" | 2" | 2-1/2" | 3" | 4" | 6" | 8" |
|--------|----|--------|----|----|----|----|
|--------|----|--------|----|----|----|----|

**Trim (Vertical - Straight Through Valve) - Galvanized (IPG 25.4A / 25.4C)**

|   |                               |                               |                               |                               |                               |                               |                               |
|---|-------------------------------|-------------------------------|-------------------------------|-------------------------------|-------------------------------|-------------------------------|-------------------------------|
| Loose Trim<br>(incl. accessory pkg-09316)   | <u>14634-1</u><br>\$2,205.04  | <u>14634-1</u><br>\$2,205.04  | <u>14636-1</u><br>\$2,157.92  | <u>14636-1</u><br>\$2,157.92  | <u>14639-1</u><br>\$2,258.04  | <u>14641-1</u><br>\$2,263.33  | <u>14642-1</u><br>\$3,278.54  |
| Modular Trim<br>(incl. accessory pkg-09316) | <u>14634-1P</u><br>\$2,405.04 | <u>14634-1P</u><br>\$2,405.04 | <u>14636-1P</u><br>\$2,357.92 | <u>14636-1P</u><br>\$2,357.92 | <u>14639-1P</u><br>\$2,458.04 | <u>14641-1P</u><br>\$2,463.33 | <u>14642-1P</u><br>\$3,478.54 |

**Trim (Vertical - Angle Style Valve) - Galvanized (IPG 25.4A / 25.4C)**

|   |                               |                               |     |                               |                               |                               |     |
|---|-------------------------------|-------------------------------|-----|-------------------------------|-------------------------------|-------------------------------|-----|
| Loose Trim<br>(incl. accessory pkg-09316)   | <u>14629-1</u><br>\$2,246.65  | <u>14630-1</u><br>\$2,162.48  | N/A | <u>14631-1</u><br>\$2,198.63  | <u>14632-1</u><br>\$2,300.66  | <u>14633-1</u><br>\$2,306.04  | N/A |
| Modular Trim<br>(incl. accessory pkg-09316) | <u>14629-1P</u><br>\$2,446.65 | <u>14630-1P</u><br>\$2,362.48 | N/A | <u>14631-1P</u><br>\$2,398.63 | <u>14632-1P</u><br>\$2,500.66 | <u>14633-1P</u><br>\$2,506.04 | N/A |

| 1-1/2" | 2" | 2-1/2" | 3" | 4" | 6" | 8" |
|--------|----|--------|----|----|----|----|
|--------|----|--------|----|----|----|----|

**Releasing Devices (IPG V25.1)**

|                    |                           |                           |                           |                           |                           |                           |                           |
|--------------------|---------------------------|---------------------------|---------------------------|---------------------------|---------------------------|---------------------------|---------------------------|
| Pneumatic Actuator | <u>06459B</u><br>\$649.12 | <u>06459B</u><br>\$649.12 | <u>06459B</u><br>\$649.12 | <u>06459B</u><br>\$649.12 | <u>06459B</u><br>\$649.12 | <u>06459B</u><br>\$649.12 | <u>06459B</u><br>\$649.12 |
|--------------------|---------------------------|---------------------------|---------------------------|---------------------------|---------------------------|---------------------------|---------------------------|

**Releasing Trim - Galvanized (IPG V25.5B)**

|   |                            |                            |                            |                            |                            |                            |                            |
|---|----------------------------|----------------------------|----------------------------|----------------------------|----------------------------|----------------------------|----------------------------|
| Loose Trim<br>(releasing device not incl.)            | <u>10809</u><br>\$63.25    | <u>10809</u><br>\$63.25    | <u>10809</u><br>\$63.25    | <u>10809</u><br>\$63.25    | <u>10809</u><br>\$63.25    | <u>10809</u><br>\$63.25    | <u>10809</u><br>\$63.25    |
| Modular Trim<br>(releasing device not incl.)          | <u>10809-P</u><br>\$282.78 | <u>10809-P</u><br>\$282.78 | <u>10809-P</u><br>\$282.78 | <u>10809-P</u><br>\$282.78 | <u>10809-P</u><br>\$282.78 | <u>10809-P</u><br>\$282.78 | <u>10809-P</u><br>\$282.78 |
| Loose Trim - DOMESTIC<br>(releasing device not incl.) | <u>10809USA</u><br>\$89.39 | <u>10809USA</u><br>\$84.33 | <u>10809USA</u><br>\$84.33 | <u>10809USA</u><br>\$84.33 | <u>10809USA</u><br>\$84.33 | <u>10809USA</u><br>\$84.33 | <u>10809USA</u><br>\$84.33 |

| 1-1/2" | 2" | 2-1/2" | 3" | 4" | 6" | 8" |
|--------|----|--------|----|----|----|----|
|--------|----|--------|----|----|----|----|

**Riser Check Valve and Trim (IPG V25.3 / V25.3A)**

|   |                          |                          |                          |                          |                          |                            |                            |
|---|--------------------------|--------------------------|--------------------------|--------------------------|--------------------------|----------------------------|----------------------------|
| Riser Check Valve<br>Threaded             | <u>10659</u><br>\$443.63 | <u>10667</u><br>\$443.63 | N/A                      | N/A                      | N/A                      | N/A                        | N/A                        |
| Riser Check Valve<br>Flange / Flange      | N/A                      | N/A                      | N/A                      | <u>08505</u><br>\$748.43 | <u>08508</u><br>\$771.15 | <u>08511</u><br>\$1,271.50 | N/A                        |
| Riser Check Valve<br>Flange / Groove      | N/A                      | N/A                      | N/A                      | <u>08506</u><br>\$634.75 | <u>08509</u><br>\$653.34 | <u>08512</u><br>\$1,081.27 | <u>08515</u><br>\$2,040.58 |
| Riser Check Valve<br>Groove / Groove      | <u>11054</u><br>\$443.63 | <u>11059</u><br>\$512.92 | <u>07929</u><br>\$539.61 | <u>08507</u><br>\$539.61 | <u>08510</u><br>\$539.61 | <u>08513</u><br>\$998.59   | <u>08516</u><br>\$1,885.56 |
| Riser Check Valve Trim<br>(For Preaction) | <u>12960</u><br>\$147.24 | <u>12960</u><br>\$147.24 | <u>13776</u><br>\$368.86 | <u>13776</u><br>\$368.86 | <u>13777</u><br>\$389.91 | <u>13777</u><br>\$389.91   | <u>13777</u><br>\$389.91   |

\* Riser check valve trim includes system main drain valve and air pressure gauge.

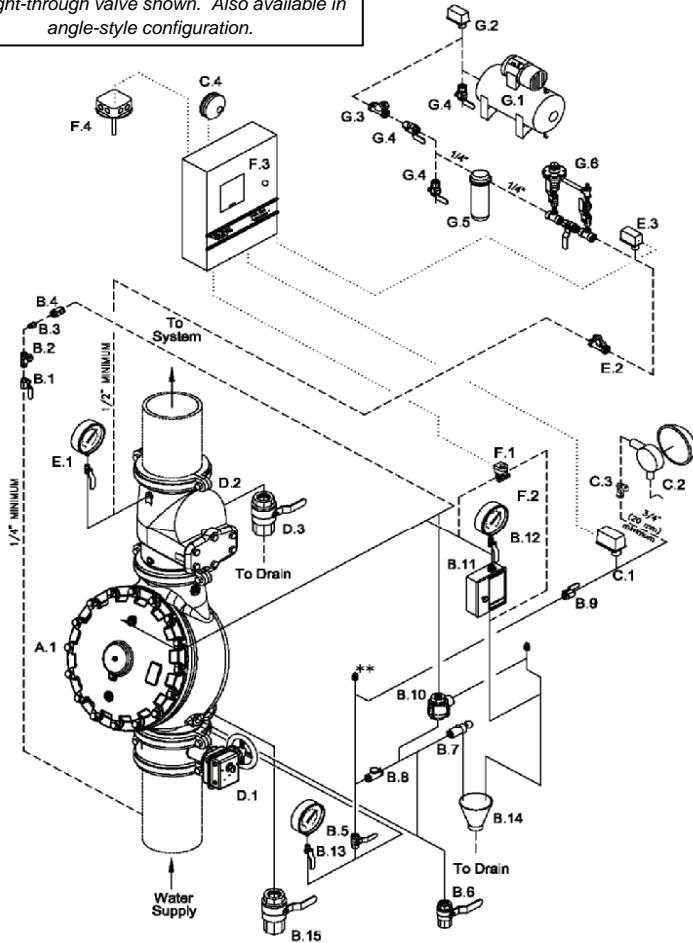
**Viking Quik Pik Packages - Complete packages customized to fit your requirements**

|  |                            |                       |   |
|--|----------------------------|-----------------------|---|
| Viking's exclusive Quik Pik packages allow you to customize the components needed in your deluge or preaction system. Contact your customer service center today to see how quick & easy ordering a deluge or preaction system can be. | SQP00490 (1 1/2" - Thread) | SQP00530 (4" - F x G) | See pgs O-14-17 for available accessories & related equipment |
|  | SQP00500 (2" - Thread)     | SQP00540 (4" - F x F) |   |
|  | SQP00510 (3" - F x G)      | SQP00550 (6" - F x G) |   |
|  | SQP00520 (3" - F x F)      | SQP00560 (6" - F x F) |   |

\* Please contact your customer service center for price and availability of non-interlocked preaction systems

**Preaction System - Single Interlocked - Electric Release**

Straight-through valve shown. Also available in angle-style configuration.



**SYSTEM COMPONENTS**

- A. Valve
  - A.1 Deluge Valve
- B. Deluge Valve Conventional Trim \*
  - (See Deluge Valve Conventional Trim Charts)
  - B.1 Priming Valve (Normally Open)
  - B.2 Strainer
  - B.3 1/16" Restricted Orifice
  - B.4 Spring Loaded Check Valve
  - B.5 Alarm Test Valve (Normally Closed)
  - B.6 Auxiliary Drain Valve (Normally Closed)
  - B.7 Drip Check Valve
  - B.8 Drain Check Valve
  - B.9 Alarm Shut-Off Valve (Normally Open)
  - B.10 Pressure Operated Relief Valve (P.O.R.V.)
  - B.11 Emergency Release
  - B.12 Priming Pressure Water Gauge and Valve
  - B.13 Water Supply Pressure Gauge and Valve
  - B.14 Drain Cup
  - B.15 Flow Test Valve (Normally Closed)
- C. Water Flow Alarm Equipment
  - C.1 Alarm Pressure Switch and/or
  - C.2 Water Motor Alarm (Strainer Required)
  - C.3 Strainer
  - C.4 Electric Alarm Bell
- D. Riser
  - D.1 Water Supply Control Valve
  - D.2 Easy Riser Check Valve or rubber seated check valve
  - D.3 Sprinkler System Main Drain
- E. Supervisory Air Supply
  - E.1 System Pressure Gauge and Valve
  - E.2 Soft Seat Swing Check Valve
  - E.3 Air Pressure Supervisory Switch
- F. Release System
  - F.1 Solenoid Valve (Normally Closed)
  - F.2 Electric Release Trim
  - F.3 System Control Panel configured for Non-Interlocked Preaction operation.
  - F.4 Electric Detection System. Heat Detector shown for clarity.
- G.1 Automatic Air Supply. Air Compressor and Tank shown for clarity.
- G.2 Air Supervisory Pressure Switch (Compressor On/Off Control Switch)
- G.3 Soft Seat Check Valve
- G.4 Shut Off Valve (Indicating Ball Valve recommended.)
- G.5 Dehydrator
- G.6 Air maintenance Device & By-Pass Trim
- G.7 1/2 x 1/4" Reducing Coupling

--- Dashed lines indicate pipe required but not listed in "System Components" Table.  
 ..... Dotted lines indicate electrical detection system wiring required but not listed in "System Components" Table. For additional wiring requirements refer to technical data for components used.

Components shown above are included in Quik Pik packages as customized by user. See page O-5.

**Model F Deluge / Preaction Valve\* - STRAIGHT THROUGH**

| IPG V25.4       | 1-1/2"                     | 2"                         | 2-1/2"                     | 3"                         | 4"                         | 6"                         | 8"                          |
|-----------------|----------------------------|----------------------------|----------------------------|----------------------------|----------------------------|----------------------------|-----------------------------|
| Thread X Thread | <u>12126</u><br>\$1,959.60 | <u>12059</u><br>\$2,025.42 | <u>12401</u><br>\$2,674.58 | N/A                        | N/A                        | N/A                        | N/A                         |
| Flange X Flange | N/A                        | N/A                        | N/A                        | <u>12014</u><br>\$2,674.58 | <u>11953</u><br>\$3,483.90 | <u>11955</u><br>\$4,765.35 | <u>11991</u><br>\$10,794.08 |
| Flange X Groove | N/A                        | N/A                        | N/A                        | <u>12018</u><br>\$2,674.58 | <u>11952</u><br>\$3,483.90 | <u>11954</u><br>\$4,765.35 | N/A                         |
| Groove X Groove | <u>12125</u><br>\$1,959.60 | <u>12057</u><br>\$2,025.42 | <u>12403</u><br>\$2,674.58 | <u>12022</u><br>\$2,674.58 | <u>11513</u><br>\$3,483.90 | <u>11524</u><br>\$4,765.35 | <u>11018</u><br>\$10,794.08 |

**Model E Deluge / Preaction Valve\* - ANGLE STYLE**

| IPG V25.4       | 1-1/2"                   | 2"                          | 3"                          | 4"                          | 6"                          |
|-----------------|--------------------------|-----------------------------|-----------------------------|-----------------------------|-----------------------------|
| Thread X Thread | <u>09889</u><br>\$925.46 | <u>05852C</u><br>\$2,063.63 | N/A                         | N/A                         | N/A                         |
| Flange X Flange | N/A                      | N/A                         | <u>05912C</u><br>\$2,725.04 | <u>05909C</u><br>\$3,549.63 | <u>05906C</u><br>\$4,855.26 |
| Flange X Groove | N/A                      | N/A                         | <u>05835C</u><br>\$2,725.04 | <u>05839C</u><br>\$3,549.63 | <u>05456C</u><br>\$4,855.26 |

See page O-18/19 for additional valve and trim options, including Halar® coated valves, horizontal trim, domestic trim, and brass trim packages.

\* Valve is not included in trim packages. Please order separately. See following page for trim packages and equipment.

**Preaction System - Single Interlocked - Electric Release**

| TrimPac® V25.2A        | 1-1/2"          | 2"              | 2-1/2"          | 3"              | 4"              | 6"              | 8"              |
|------------------------|-----------------|-----------------|-----------------|-----------------|-----------------|-----------------|-----------------|
| Angle/Straight-Through | <u>13792B-3</u> | <u>13792B-3</u> | <u>13792B-3</u> | <u>13792B-3</u> | <u>13792B-3</u> | <u>13792B-3</u> | <u>13792B-3</u> |
|                        | \$3,459.23      | \$3,459.23      | \$3,459.23      | \$3,459.23      | \$3,459.23      | \$3,459.23      | \$3,459.23      |

TrimPac includes conventional trim, releasing device (solenoid valve), releasing trim, and flexible hose kit.  
Drain package for TrimPac must be ordered separately (see below).

**Drain Package (IPG V25.4E)**

| Use with TrimPac®<br>(order separately) | 1-1/2"         | 2"             | 2-1/2"         | 3"             | 4"             | 6"             | 8"             |
|---|----------------|----------------|----------------|----------------|----------------|----------------|----------------|
|   | <u>11894-1</u> | <u>11894-2</u> | <u>11894-3</u> | <u>11894-3</u> | <u>11894-4</u> | <u>11894-4</u> | <u>11894-4</u> |
|   | \$343.91       | \$278.17       | \$315.25       | \$315.25       | \$404.60       | \$404.60       | \$404.60       |

| 1-1/2" | 2" | 2-1/2" | 3" | 4" | 6" | 8" |
|--------|----|--------|----|----|----|----|
|--------|----|--------|----|----|----|----|

**Trim (Vertical - Straight Through Valve) - Galvanized (IPG 25.4A / 25.4C)**

|   |                 |                 |                 |                 |                 |                 |                 |
|---|-----------------|-----------------|-----------------|-----------------|-----------------|-----------------|-----------------|
| Loose Trim<br>(incl. accessory pkg-09316)   | <u>14634-1</u>  | <u>14634-1</u>  | <u>14636-1</u>  | <u>14636-1</u>  | <u>14639-1</u>  | <u>14641-1</u>  | <u>14642-1</u>  |
|   | \$2,205.04      | \$2,205.04      | \$2,157.92      | \$2,157.92      | \$2,258.04      | \$2,263.33      | \$3,278.54      |
| Modular Trim<br>(incl. accessory pkg-09316) | <u>14634-1P</u> | <u>14634-1P</u> | <u>14636-1P</u> | <u>14636-1P</u> | <u>14639-1P</u> | <u>14641-1P</u> | <u>14642-1P</u> |
|   | \$2,405.04      | \$2,405.04      | \$2,357.92      | \$2,357.92      | \$2,458.04      | \$2,463.33      | \$3,478.54      |

**Trim (Vertical - Angle Style Valve) - Galvanized (IPG 25.4A / 25.4C)**

|   |                 |                 |     |                 |                 |                 |     |
|---|-----------------|-----------------|-----|-----------------|-----------------|-----------------|-----|
| Loose Trim<br>(incl. accessory pkg-09316)   | <u>14629-1</u>  | <u>14630-1</u>  | N/A | <u>14631-1</u>  | <u>14632-1</u>  | <u>14633-1</u>  | N/A |
|   | \$2,246.65      | \$2,162.48      |     | \$2,198.63      | \$2,300.66      | \$2,306.04      |     |
| Modular Trim<br>(incl. accessory pkg-09316) | <u>14629-1P</u> | <u>14630-1P</u> | N/A | <u>14631-1P</u> | <u>14632-1P</u> | <u>14633-1P</u> | N/A |
|   | \$2,446.65      | \$2,362.48      |     | \$2,398.63      | \$2,500.66      | \$2,506.04      |     |

| 1-1/2" | 2" | 2-1/2" | 3" | 4" | 6" | 8" |
|--------|----|--------|----|----|----|----|
|--------|----|--------|----|----|----|----|

**Releasing Devices (IPG V29)**

|                |              |              |              |              |              |              |              |
|----------------|--------------|--------------|--------------|--------------|--------------|--------------|--------------|
| Solenoid Valve | <u>11601</u> | <u>11601</u> | <u>11601</u> | <u>11601</u> | <u>11601</u> | <u>11601</u> | <u>11601</u> |
|                | \$609.12     | \$609.12     | \$609.12     | \$609.12     | \$609.12     | \$609.12     | \$609.12     |

**Releasing Trim - Galvanized (IPG V25.5B)**

|   |                 |                 |                 |                 |                 |                 |                 |
|---|-----------------|-----------------|-----------------|-----------------|-----------------|-----------------|-----------------|
| Loose Trim<br>(releasing device not incl.)            | <u>10830</u>    | <u>10830</u>    | <u>10830</u>    | <u>10830</u>    | <u>10830</u>    | <u>10830</u>    | <u>10830</u>    |
|   | \$65.30         | \$65.30         | \$65.30         | \$65.30         | \$65.30         | \$65.30         | \$65.30         |
| Modular Trim<br>(releasing device not incl.)          | <u>10830-P</u>  | <u>10830-P</u>  | <u>10830-P</u>  | <u>10830-P</u>  | <u>10830-P</u>  | <u>10830-P</u>  | <u>10830-P</u>  |
|   | \$284.82        | \$284.82        | \$284.82        | \$284.82        | \$284.82        | \$284.82        | \$284.82        |
| Loose Trim - DOMESTIC<br>(releasing device not incl.) | <u>10830USA</u> | <u>10830USA</u> | <u>10830USA</u> | <u>10830USA</u> | <u>10830USA</u> | <u>10830USA</u> | <u>10830USA</u> |
|   | \$87.06         | \$87.06         | \$87.06         | \$87.06         | \$87.06         | \$87.06         | \$87.06         |

| 1-1/2" | 2" | 2-1/2" | 3" | 4" | 6" | 8" |
|--------|----|--------|----|----|----|----|
|--------|----|--------|----|----|----|----|

**Riser Check Valve and Trim (IPG V25.3 / V25.3A)**

|   |              |              |              |              |              |              |              |
|---|--------------|--------------|--------------|--------------|--------------|--------------|--------------|
| Riser Check Valve<br>Threaded             | <u>10659</u> | <u>10667</u> | N/A          | N/A          | N/A          | N/A          | N/A          |
|   | \$443.63     | \$443.63     |              |              |              |              |              |
| Riser Check Valve<br>Flange / Flange      | N/A          | N/A          | N/A          | <u>08505</u> | <u>08508</u> | <u>08511</u> | N/A          |
|   |              |              |              | \$748.43     | \$771.15     | \$1,271.50   |              |
| Riser Check Valve<br>Flange / Groove      | N/A          | N/A          | N/A          | <u>08506</u> | <u>08509</u> | <u>08512</u> | <u>08515</u> |
|   |              |              |              | \$634.75     | \$653.34     | \$1,081.27   | \$2,040.58   |
| Riser Check Valve<br>Groove / Groove      | <u>11054</u> | <u>11059</u> | <u>07929</u> | <u>08507</u> | <u>08510</u> | <u>08513</u> | <u>08516</u> |
|   | \$443.63     | \$512.92     | \$539.61     | \$539.61     | \$539.61     | \$998.59     | \$1,885.56   |
| Riser Check Valve Trim<br>(For Preaction) | <u>12960</u> | <u>12960</u> | <u>13776</u> | <u>13776</u> | <u>13777</u> | <u>13777</u> | <u>13777</u> |
|   | \$147.24     | \$147.24     | \$368.86     | \$368.86     | \$389.91     | \$389.91     | \$389.91     |

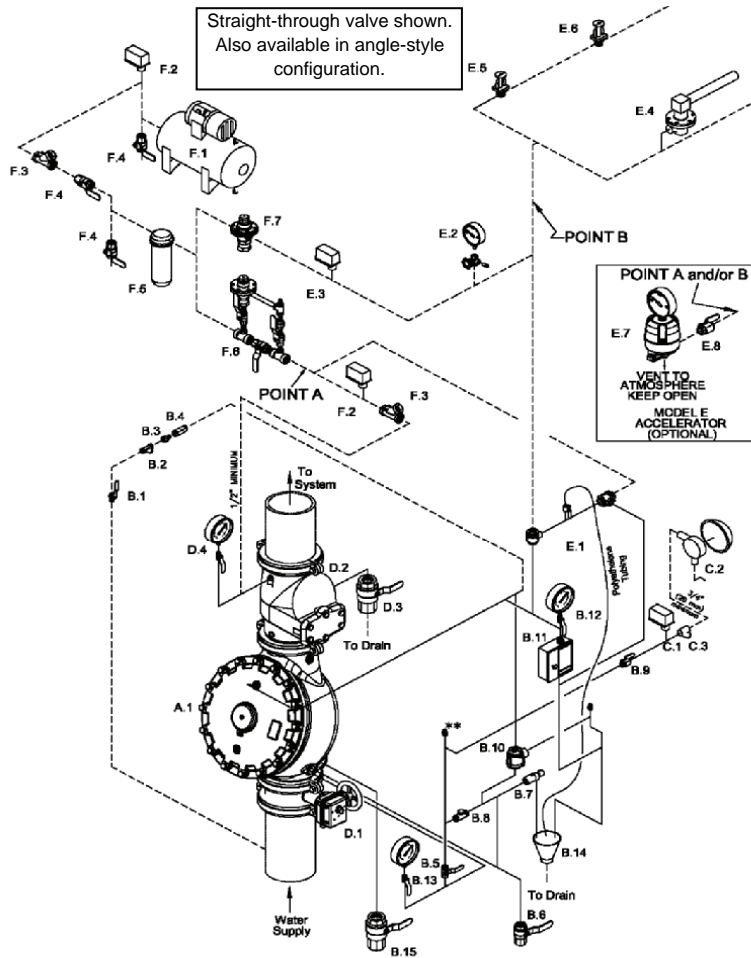
\* Riser check valve trim includes system main drain valve and air pressure gauge.

**Viking Quik Pik Packages - Complete packages customized to fit your requirements**

|  |                            |                       |   |
|--|----------------------------|-----------------------|---|
| Viking's exclusive Quik Pik packages allow you to customize the components needed in your deluge or preaction system. Contact your customer service center today to see how quick & easy ordering a deluge or preaction system can be. | SQP00490 (1 1/2" - Thread) | SQP00530 (4" - F x G) | See pgs O-14-17 for available accessories & related equipment |
|  | SQP00500 (2" - Thread)     | SQP00540 (4" - F x F) |   |
|  | SQP00510 (3" - F x G)      | SQP00550 (6" - F x G) |   |
|  | SQP00520 (3" - F x F)      | SQP00560 (6" - F x F) |   |

\* Please contact your customer service center for price and availability of non-interlocked preaction systems

**Preaction System - Double Interlocked - Pneumatic/Pneumatic Release**



**SYSTEM COMPONENTS**

- A. Valve
  - A.1 Deluge Valve
- B. Deluge Valve Conventional Trim \*
  - (See Deluge Valve Conventional Trim Charts)
  - B.1 Priming Valve (Normally Open)
  - B.2 Strainer
  - B.3 1/16" Restricted Orifice
  - B.4 Spring Loaded Check Valve
  - B.5 Alarm Test Valve (Normally Closed)
  - B.6 Auxiliary Drain Valve (Normally Closed)
  - B.7 Drip Check Valve
  - B.8 Drain Check Valve
  - B.9 Alarm Shut-Off Valve (Normally Open)
  - B.10 Pressure Operated Relief Valve (P.O.R.V.)
  - B.11 Emergency Release
  - B.12 Priming Pressure Water Gauge and Valve
  - B.13 Water Supply Pressure Gauge and Valve
  - B.14 Drain Cup
  - B.15 Flow Test Valve (Normally Closed)
- C. Water Flow Alarm Equipment
  - C.1 Alarm Pressure Switch and/or
  - C.2 Water Motor Alarm (Strainer Required)
  - C.3 Strainer
- D. Riser
  - D.1 Water Supply Control Valve
  - D.2 Easy Riser Check Valve or rubber seated check valve
  - D.3 Sprinkler System Main Drain
  - D.4 System Pressure Gauge and Valve
- E. Release System
  - E.1 Pneumatic/Pneumatic Release Module Trim
  - E.2 Air Pressure Gauge and Valve
  - E.3 Air Pressure Supervisory Switch
  - E.4 Thermostatic Release and/or
  - E.5 Fixed Temperature Release and/or
  - E.6 Pilot Head (Sprinkler)
  - E.7 Accelerator (Optional. See Inset.)
  - E.8 Accelerator Isolation Valve (See Inset.)
- F. Air Supply
  - F.1 Tank Mounted Air Compressor
  - F.2 Air Supervisory Pressure Switch (Compressor On/Off Control Switch)
  - F.3 Soft Seat Check Valve
  - F.4 Shut Off Valve (Indicating Ball Valve recommended.)
  - F.5 Dehydrator
  - F.6 Air maintenance Device & By-Pass Trim
  - F.7 Air maintenance Device
  - F.8 Air Pressure Supervisory Switch
  - F.9 Soft Seat Swing Check Valve

----- Dashed lines indicate pipe required but not included with Deluge Valve Conventional Trim and Easy Riser Check Valve Trim Packages.

\* Viking Deluge Valve Trim Packages contain items B.1 through B.15 and associated nipples. Viking Accessory Package for Conventional Deluge Valve Trim contains B.2 through B.5, B.7 through B.11, and B.14.

Components shown above are included in Quik Pik packages as customized by user. See page O-7.

**Model F Deluge / Preaction Valve\* - STRAIGHT THROUGH**

| IPG V25.4       | 1-1/2"                     | 2"                         | 2-1/2"                     | 3"                         | 4"                         | 6"                         | 8"                          |
|-----------------|----------------------------|----------------------------|----------------------------|----------------------------|----------------------------|----------------------------|-----------------------------|
| Thread X Thread | <u>12126</u><br>\$1,959.60 | <u>12059</u><br>\$2,025.42 | <u>12401</u><br>\$2,674.58 | N/A                        | N/A                        | N/A                        | N/A                         |
| Flange X Flange | N/A                        | N/A                        | N/A                        | <u>12014</u><br>\$2,674.58 | <u>11953</u><br>\$3,483.90 | <u>11955</u><br>\$4,765.35 | <u>11991</u><br>\$10,794.08 |
| Flange X Groove | N/A                        | N/A                        | N/A                        | <u>12018</u><br>\$2,674.58 | <u>11952</u><br>\$3,483.90 | <u>11954</u><br>\$4,765.35 | N/A                         |
| Groove X Groove | <u>12125</u><br>\$1,959.60 | <u>12057</u><br>\$2,025.42 | <u>12403</u><br>\$2,674.58 | <u>12022</u><br>\$2,674.58 | <u>11513</u><br>\$3,483.90 | <u>11524</u><br>\$4,765.35 | <u>11018</u><br>\$10,794.08 |

**Model E Deluge / Preaction Valve\* - ANGLE STYLE**

| IPG V25.4       | 1-1/2"                   | 2"                          | 3"                          | 4"                          | 6"                          |
|-----------------|--------------------------|-----------------------------|-----------------------------|-----------------------------|-----------------------------|
| Thread X Thread | <u>09889</u><br>\$925.46 | <u>05852C</u><br>\$2,063.63 | N/A                         | N/A                         | N/A                         |
| Flange X Flange | N/A                      | N/A                         | <u>05912C</u><br>\$2,725.04 | <u>05909C</u><br>\$3,549.63 | <u>05906C</u><br>\$4,855.26 |
| Flange X Groove | N/A                      | N/A                         | <u>05835C</u><br>\$2,725.04 | <u>05839C</u><br>\$3,549.63 | <u>05456C</u><br>\$4,855.26 |

See page O-18/19 for additional valve and trim options, including Halar® coated valves, horizontal trim, domestic trim, and brass trim packages.

\* Valve is not included in trim packages. Please order separately. See following page for trim packages and equipment.

**Preaction System - Double Interlocked - Pneumatic/Pneumatic Release**

|  | 1-1/2"                 | 2"                     | 2-1/2"                 | 3"                     | 4"                     | 6"                     | 8"                     |
|--|------------------------|------------------------|------------------------|------------------------|------------------------|------------------------|------------------------|
| <b>Trim (Vertical - Straight Through Valve) - Galvanized (IPG 25.4A / 25.4C)</b> |                        |                        |                        |                        |                        |                        |                        |
| <u>Loose Trim</u><br><i>(incl. accessory pkg-09316)</i>                          | 14634-1<br>\$2,205.04  | 14634-1<br>\$2,205.04  | 14636-1<br>\$2,157.92  | 14636-1<br>\$2,157.92  | 14639-1<br>\$2,258.04  | 14641-1<br>\$2,263.33  | 14642-1<br>\$3,278.54  |
| <u>Modular Trim</u><br><i>(incl. accessory pkg-09316)</i>                        | 14634-1P<br>\$2,405.04 | 14634-1P<br>\$2,405.04 | 14636-1P<br>\$2,357.92 | 14636-1P<br>\$2,357.92 | 14639-1P<br>\$2,458.04 | 14641-1P<br>\$2,463.33 | 14642-1P<br>\$3,478.54 |

|   | 1-1/2"                 | 2"                     | 2-1/2" | 3"                     | 4"                     | 6"                     | 8"  |
|---|------------------------|------------------------|--------|------------------------|------------------------|------------------------|-----|
| <b>Trim (Vertical - Angle Style Valve) - Galvanized (IPG 25.4A / 25.4C)</b> |                        |                        |        |                        |                        |                        |     |
| <u>Loose Trim</u><br><i>(incl. accessory pkg-09316)</i>                     | 14629-1<br>\$2,246.65  | 14630-1<br>\$2,162.48  | N/A    | 14631-1<br>\$2,198.63  | 14632-1<br>\$2,300.66  | 14633-1<br>\$2,306.04  | N/A |
| <u>Modular Trim</u><br><i>(incl. accessory pkg-09316)</i>                   | 14629-1P<br>\$2,446.65 | 14630-1P<br>\$2,362.48 | N/A    | 14631-1P<br>\$2,398.63 | 14632-1P<br>\$2,500.66 | 14633-1P<br>\$2,506.04 | N/A |

|                                      | 1-1/2"             | 2"                 | 2-1/2"             | 3"                 | 4"                 | 6"                 | 8"                 |
|--------------------------------------|--------------------|--------------------|--------------------|--------------------|--------------------|--------------------|--------------------|
| <b>Releasing Devices (IPG V25.1)</b> |                    |                    |                    |                    |                    |                    |                    |
| <u>Pneumatic Actuator</u>            | 06459B<br>\$649.12 | 06459B<br>\$649.12 | 06459B<br>\$649.12 | 06459B<br>\$649.12 | 06459B<br>\$649.12 | 06459B<br>\$649.12 | 06459B<br>\$649.12 |

\* On pneumatic/pneumatic preaction systems only, releasing device (pneumatic actuator) is included in releasing trim.

|   | 1-1/2"                 | 2"                     | 2-1/2"                 | 3"                     | 4"                     | 6"                     | 8"                     |
|---|------------------------|------------------------|------------------------|------------------------|------------------------|------------------------|------------------------|
| <b>Releasing Trim - Galvanized (IPG V25.5B)</b> |                        |                        |                        |                        |                        |                        |                        |
| <u>Loose Trim</u>                               | 12662-1<br>\$1,086.84  | 12662-1<br>\$1,086.84  | 12662-1<br>\$1,086.84  | 12662-1<br>\$1,086.84  | 12662-1<br>\$1,086.84  | 12662-1<br>\$1,086.84  | 12662-1<br>\$1,086.84  |
| <u>Modular Trim</u>                             | 12662-1P<br>\$1,374.65 | 12662-1P<br>\$1,374.65 | 12662-1P<br>\$1,374.65 | 12662-1P<br>\$1,374.65 | 12662-1P<br>\$1,374.65 | 12662-1P<br>\$1,374.65 | 12662-1P<br>\$1,374.65 |

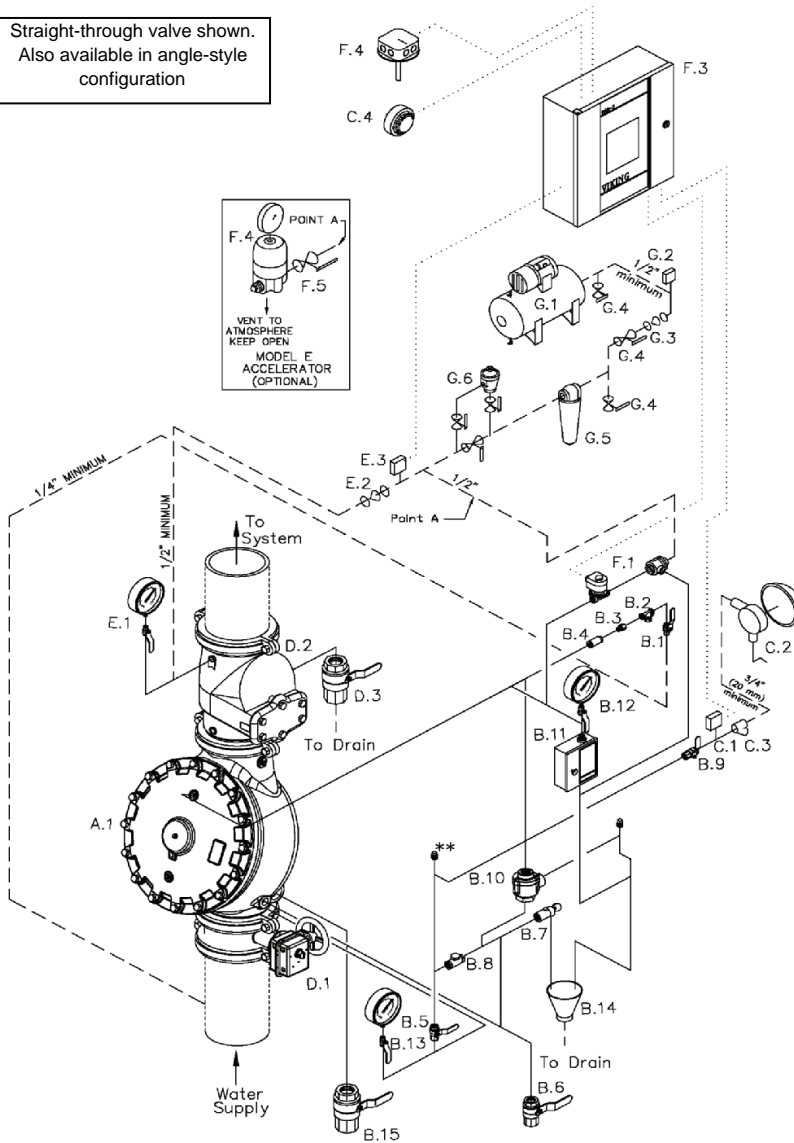
|   | 1-1/2"            | 2"                | 2-1/2"            | 3"                | 4"                | 6"                  | 8"                  |
|---|-------------------|-------------------|-------------------|-------------------|-------------------|---------------------|---------------------|
| <b>Riser Check Valve and Trim (IPG V25.3 / V25.3A)</b>  |                   |                   |                   |                   |                   |                     |                     |
| <u>Riser Check Valve</u><br>Threaded                    | 10659<br>\$443.63 | 10667<br>\$443.63 | N/A               | N/A               | N/A               | N/A                 | N/A                 |
| <u>Riser Check Valve</u><br>Flange / Flange             | N/A               | N/A               | N/A               | 08505<br>\$748.43 | 08508<br>\$771.15 | 08511<br>\$1,271.50 | N/A                 |
| <u>Riser Check Valve</u><br>Flange / Groove             | N/A               | N/A               | N/A               | 08506<br>\$634.75 | 08509<br>\$653.34 | 08512<br>\$1,081.27 | 08515<br>\$2,040.58 |
| <u>Riser Check Valve</u><br>Groove / Groove             | 11054<br>\$443.63 | 11059<br>\$512.92 | 07929<br>\$539.61 | 08507<br>\$539.61 | 08510<br>\$539.61 | 08513<br>\$998.59   | 08516<br>\$1,885.56 |
| <u>Riser Check Valve Trim</u><br><i>(For Preaction)</i> | 12960<br>\$147.24 | 12960<br>\$147.24 | 13776<br>\$368.86 | 13776<br>\$368.86 | 13777<br>\$389.91 | 13777<br>\$389.91   | 13777<br>\$389.91   |

\* Riser check valve trim includes system main drain valve and air pressure gauge.

| <b>Viking Quik Pik Packages - Complete packages customized to fit your requirements</b>  |                            |                       |   |
|--|----------------------------|-----------------------|---|
| Viking's exclusive Quik Pik packages allow you to customize the components needed in your deluge or preaction system. Contact your customer service center today to see how quick & easy ordering a deluge or preaction system can be. | SQP00650 (1 1/2" - Thread) | SQP00690 (4" - F x G) | See pgs O-14-17 for available accessories & related equipment |
|  | SQP00660 (2" - Thread)     | SQP00700 (4" - F x F) |   |
|  | SQP00670 (3" - F x G)      | SQP00710 (6" - F x G) |   |
|  | SQP00680 (3" - F x F)      | SQP00720 (6" - F x F) |   |

## Preaction System - Double Interlocked - Electric/Pneumatic Release

Straight-through valve shown.  
Also available in angle-style configuration



### Description

- A.1 Model F deluge valve
- Deluge valve conventional trim including:
  - B.1 Priming connection ball valve (N.O.)
  - B.2 Y strainer
  - B.3 Restricted orifice
  - B.4 Spring loaded in-line check valve
  - B.5 Alarm test valve (normally closed)
  - B.6 Auxiliary drain valve (normally closed)
  - B.7 Drip check valve
  - B.8 Drain check valve
  - B.9 Alarm shut-off valve (normally open)
  - B.10 Pressure operated relief valve (porv)
  - B.11 Model C emergency release
  - B.12 Priming pressure water gauge & valve
  - B.13 Water supply pressure gauge & valve
  - B.14 Drain cup
  - B.15 Flow test valve (normally closed)
- C.1 Alarm pressure switch and/or
- C.2 Model F-2 water motor alarm including:
  - C.3 3/4" / DN20 alarm line Y strainer
- C.4 Electric alarm bell
- D.1 Water supply control valve
- D.2 Easy Riser® check valve & trim including:
  - D.3 System main drain valve
- E.1 Air pressure gauge and valve
- E.2 Soft seat air supply check valve
- E.3 Air pressure supervisory switch
- F.1 Electric/pneumatic release module trim
- F.1 Solenoid valve (normally closed)
- F.1 Pneumatic actuator
- F.3 VFR400 release control panel
- F.4 Electric detection system
- F.4 Model E-1 accelerator (optional)
- F.5 Accelerator isolation ball valve
- G.1 Automatic air supply
- G.2 Air pressure supervisory switch
- G.3 Soft seat air supply check valve
- G.4 Shut-off ball valve
- G.5 Dehydrator package
- G.6 D-2 air maintenance device and by-pass trim

Components shown above are included in QuikPik packages as customized by user. See page O-9.

### Model F Deluge / Preaction Valve\* - STRAIGHT THROUGH

| IPG V25.4 | 1-1/2"       | 2"           | 2-1/2"       | 3"           | 4"           | 6"           | 8"           |
|-----------|--------------|--------------|--------------|--------------|--------------|--------------|--------------|
| Thread X  | <u>12126</u> | <u>12059</u> | <u>12401</u> | N/A          | N/A          | N/A          | N/A          |
| Thread    | \$1,959.60   | \$2,025.42   | \$2,674.58   |              |              |              |              |
| Flange X  | N/A          | N/A          | N/A          | <u>12014</u> | <u>11953</u> | <u>11955</u> | <u>11991</u> |
| Flange    |              |              |              | \$2,674.58   | \$3,483.90   | \$4,765.35   | \$10,794.08  |
| Flange X  | N/A          | N/A          | N/A          | <u>12018</u> | <u>11952</u> | <u>11954</u> | N/A          |
| Groove    |              |              |              | \$2,674.58   | \$3,483.90   | \$4,765.35   |              |
| Groove X  | <u>12125</u> | <u>12057</u> | <u>12403</u> | <u>12022</u> | <u>11513</u> | <u>11524</u> | <u>11018</u> |
| Groove    | \$1,959.60   | \$2,025.42   | \$2,674.58   | \$2,674.58   | \$3,483.90   | \$4,765.35   | \$10,794.08  |

### Model E Deluge / Preaction Valve\* - ANGLE STYLE

| IPG V25.4 | 1-1/2"       | 2"            | 3"            | 4"            | 6"            |
|-----------|--------------|---------------|---------------|---------------|---------------|
| Thread X  | <u>09889</u> | <u>05852C</u> | N/A           | N/A           | N/A           |
| Thread    | \$925.46     | \$2,063.63    |               |               |               |
| Flange X  | N/A          | N/A           | <u>05912C</u> | <u>05909C</u> | <u>05906C</u> |
| Flange    |              |               | \$2,725.04    | \$3,549.63    | \$4,855.26    |
| Flange X  | N/A          | N/A           | <u>05835C</u> | <u>05839C</u> | <u>05456C</u> |
| Groove    |              |               | \$2,725.04    | \$3,549.63    | \$4,855.26    |

See page O-18/19 for additional valve and trim options, including Halar® coated valves, horizontal trim, domestic trim, and brass trim packages.

\* Valve is not included in trim packages. Please order separately. See following page for trim packages and equipment.

**Preaction System - Double Interlocked - Electric/Pneumatic Release**

| TrimPac® V25.2A        | 1-1/2"          | 2"              | 2-1/2"          | 3"              | 4"              | 6"              | 8"              |
|------------------------|-----------------|-----------------|-----------------|-----------------|-----------------|-----------------|-----------------|
| Angle/Straight-Through | <u>13794B-5</u> | <u>13794B-5</u> | <u>13794B-5</u> | <u>13794B-5</u> | <u>13794B-5</u> | <u>13794B-5</u> | <u>13794B-5</u> |
|                        | \$4,065.91      | \$4,065.91      | \$4,065.91      | \$4,065.91      | \$4,065.91      | \$4,065.91      | \$4,065.91      |

TrimPac includes conventional trim, releasing device (pneumatic actuator), releasing trim, and flexible hose kit.

Drain package for TrimPac must be ordered separately (see below).

**Drain Package (IPG V25.4E)**

| Use with TrimPac®<br>(order separately) | 11894-1  | 11894-2  | 11894-3  | 11894-3  | 11894-4  | 11894-4  | 11894-4  |
|---|----------|----------|----------|----------|----------|----------|----------|
|   | \$343.91 | \$278.17 | \$315.25 | \$315.25 | \$404.60 | \$404.60 | \$404.60 |

| 1-1/2" | 2" | 2-1/2" | 3" | 4" | 6" | 8" |
|--------|----|--------|----|----|----|----|
|--------|----|--------|----|----|----|----|

**Trim (Vertical - Straight Through Valve) - Galvanized (IPG 25.4A / 25.4C)**

|   |                 |                 |                 |                 |                 |                 |                 |
|---|-----------------|-----------------|-----------------|-----------------|-----------------|-----------------|-----------------|
| Loose Trim<br>(incl. accessory pkg-09316)   | <u>14634-1</u>  | <u>14634-1</u>  | <u>14636-1</u>  | <u>14636-1</u>  | <u>14639-1</u>  | <u>14641-1</u>  | <u>14642-1</u>  |
|   | \$2,205.04      | \$2,205.04      | \$2,157.92      | \$2,157.92      | \$2,258.04      | \$2,263.33      | \$3,278.54      |
| Modular Trim<br>(incl. accessory pkg-09316) | <u>14634-1P</u> | <u>14634-1P</u> | <u>14636-1P</u> | <u>14636-1P</u> | <u>14639-1P</u> | <u>14641-1P</u> | <u>14642-1P</u> |
|   | \$2,405.04      | \$2,405.04      | \$2,357.92      | \$2,357.92      | \$2,458.04      | \$2,463.33      | \$3,478.54      |

**Trim (Vertical - Angle Style Valve) - Galvanized (IPG 25.4A / 25.4C)**

|   |                 |                 |     |                 |                 |                 |     |
|---|-----------------|-----------------|-----|-----------------|-----------------|-----------------|-----|
| Loose Trim<br>(incl. accessory pkg-09316)   | <u>14629-1</u>  | <u>14630-1</u>  | N/A | <u>14631-1</u>  | <u>14632-1</u>  | <u>14633-1</u>  | N/A |
|   | \$2,246.65      | \$2,162.48      |     | \$2,198.63      | \$2,300.66      | \$2,306.04      |     |
| Modular Trim<br>(incl. accessory pkg-09316) | <u>14629-1P</u> | <u>14630-1P</u> | N/A | <u>14631-1P</u> | <u>14632-1P</u> | <u>14633-1P</u> | N/A |
|   | \$2,446.65      | \$2,362.48      |     | \$2,398.63      | \$2,500.66      | \$2,506.04      |     |

| 1-1/2" | 2" | 2-1/2" | 3" | 4" | 6" | 8" |
|--------|----|--------|----|----|----|----|
|--------|----|--------|----|----|----|----|

**Releasing Devices**

|                    |               |               |               |               |               |               |               |
|--------------------|---------------|---------------|---------------|---------------|---------------|---------------|---------------|
| Solenoid Valve     | <u>11601</u>  | <u>11601</u>  | <u>11601</u>  | <u>11601</u>  | <u>11601</u>  | <u>11601</u>  | <u>11601</u>  |
|                    | \$609.12      | \$609.12      | \$609.12      | \$609.12      | \$609.12      | \$609.12      | \$609.12      |
| Pneumatic Actuator | <u>06459B</u> | <u>06459B</u> | <u>06459B</u> | <u>06459B</u> | <u>06459B</u> | <u>06459B</u> | <u>06459B</u> |
|                    | \$649.12      | \$649.12      | \$649.12      | \$649.12      | \$649.12      | \$649.12      | \$649.12      |

**Releasing Trim - Galvanized (IPG V25.5B)**

|   |                   |                   |                   |                   |                   |                   |                   |
|---|-------------------|-------------------|-------------------|-------------------|-------------------|-------------------|-------------------|
| Loose Trim<br>(releasing device not incl.)            | <u>12661-1</u>    | <u>12661-1</u>    | <u>12661-1</u>    | <u>12661-1</u>    | <u>12661-1</u>    | <u>12661-1</u>    | <u>12661-1</u>    |
|   | \$67.76           | \$67.76           | \$67.76           | \$67.76           | \$67.76           | \$67.76           | \$67.76           |
| Modular Trim<br>(releasing device not incl.)          | <u>12661-1P</u>   | <u>12661-1P</u>   | <u>12661-1P</u>   | <u>12661-1P</u>   | <u>12661-1P</u>   | <u>12661-1P</u>   | <u>12661-1P</u>   |
|   | \$287.28          | \$287.28          | \$287.28          | \$287.28          | \$287.28          | \$287.28          | \$287.28          |
| Loose Trim - DOMESTIC<br>(releasing device not incl.) | <u>12661-1USA</u> | <u>12661-1USA</u> | <u>12661-1USA</u> | <u>12661-1USA</u> | <u>12661-1USA</u> | <u>12661-1USA</u> | <u>12661-1USA</u> |
|   | \$90.34           | \$90.34           | \$90.34           | \$90.34           | \$90.34           | \$90.34           | \$90.34           |

| 1-1/2" | 2" | 2-1/2" | 3" | 4" | 6" | 8" |
|--------|----|--------|----|----|----|----|
|--------|----|--------|----|----|----|----|

**Riser Check Valve and Trim (IPG V25.3 / V25.3A)**

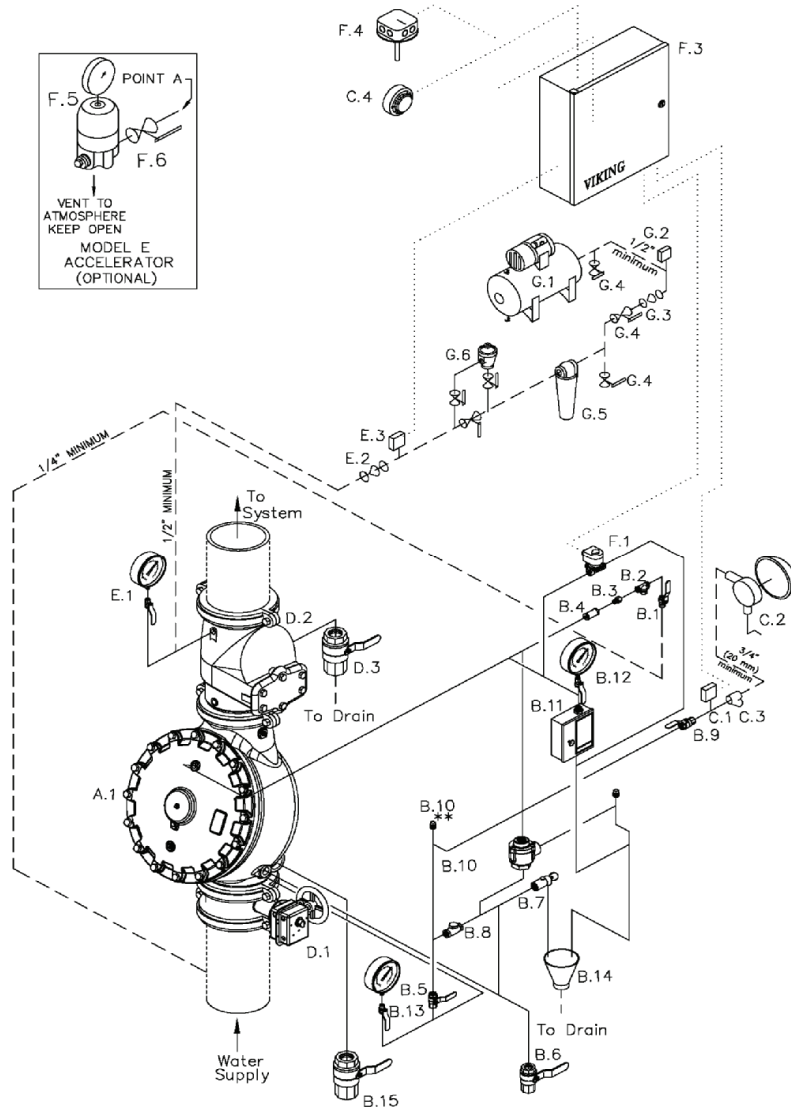
|   |              |              |              |              |              |              |              |
|---|--------------|--------------|--------------|--------------|--------------|--------------|--------------|
| Riser Check Valve<br>Threaded             | <u>10659</u> | <u>10667</u> | N/A          | N/A          | N/A          | N/A          | N/A          |
|   | \$443.63     | \$443.63     |              |              |              |              |              |
| Riser Check Valve<br>Flange / Flange      | N/A          | N/A          | N/A          | <u>08505</u> | <u>08508</u> | <u>08511</u> | N/A          |
|   |              |              |              | \$748.43     | \$771.15     | \$1,271.50   |              |
| Riser Check Valve<br>Flange / Groove      | N/A          | N/A          | N/A          | <u>08506</u> | <u>08509</u> | <u>08512</u> | <u>08515</u> |
|   |              |              |              | \$634.75     | \$653.34     | \$1,081.27   | \$2,040.58   |
| Riser Check Valve<br>Groove / Groove      | <u>11054</u> | <u>11059</u> | <u>07929</u> | <u>08507</u> | <u>08510</u> | <u>08513</u> | <u>08516</u> |
|   | \$443.63     | \$512.92     | \$539.61     | \$539.61     | \$539.61     | \$998.59     | \$1,885.56   |
| Riser Check Valve Trim<br>(For Preaction) | <u>12960</u> | <u>12960</u> | <u>13776</u> | <u>13776</u> | <u>13777</u> | <u>13777</u> | <u>13777</u> |
|   | \$147.24     | \$147.24     | \$368.86     | \$368.86     | \$389.91     | \$389.91     | \$389.91     |

\* Riser check valve trim includes system main drain valve and air pressure gauge.

**Viking Quik Pik Packages - Complete packages customized to fit your requirements**

|  |                            |                       |   |
|--|----------------------------|-----------------------|---|
| Viking's exclusive Quik Pik packages allow you to customize the components needed in your deluge or preaction system. Contact your customer service center today to see how quick & easy ordering a deluge or preaction system can be. | SQP00570 (1 1/2" - Thread) | SQP00610 (4" - F x G) | See pgs O-14-17 for available accessories & related equipment |
|  | SQP00580 (2" - Thread)     | SQP00620 (4" - F x F) |   |
|  | SQP00590 (3" - F x G)      | SQP00630 (6" - F x G) |   |
|  | SQP00600 (3" - F x F)      | SQP00640 (6" - F x F) |   |

## Preaction System - Double Interlocked - Electric/Pneumatic Release



### Description

- A.1 Model E deluge valve  
Deluge valve conventional trim including:
  - B.1 Priming connection ball valve (N.O.)
  - B.2 Y strainer
  - B.3 Restricted orifice
  - B.4 Spring loaded in-line check valve
  - B.5 Alarm test valve (normally closed)
  - B.6 Auxiliary drain valve (normally closed)
  - B.7 Drip check valve
  - B.8 Drain check valve
  - B.9 Alarm shut-off valve (normally open)
  - B.10 Pressure operated relief valve (PORV)
  - B.11 Model c emergency release
  - B.12 Priming pressure water gauge & valve
  - B.13 Water supply pressure gauge & valve
  - B.14 Drain cup
  - B.15 Flow test valve (normally closed)
- C.1 Alarm pressure switch and/or
- C.2 Model F-2 water motor alarm including:
  - C.3 3/4" / DN20 alarm line Y strainer
- C.4 Electric alarm bell
- D.1 Water supply control valve
- D.2 Easy Riser® check valve  
Easy Riser® trim for preaction (including)
- D.3 System main drain valve
- E.1 Air pressure gauge and valve
- E.2 Soft seat air supply check valve
- E.3 Air pressure supervisory switch
- F.1 Solenoid valve (normally closed)
- F.2 Electric release module trim
- F.3 VFR-400 Release control panel
- F.4 Electric detection system
- F.5 Model E-1 accelerator (optional)
- F.6 Accelerator isolation ball valve
- G.1 Automatic air supply
- G.2 Air pressure supervisory switch
- G.3 Soft seat air supply check valve
- G.4 Shut-off ball valve
- G.5 Dehydrator package
- G.6 D-2 air maintenance device & by-pass trim

Components shown above are included in Quik Pik packages as customized by user. See page O-11.

### Model F Deluge / Preaction Valve\* - STRAIGHT THROUGH

| IPG V25.4       | 1-1/2"              | 2"                  | 2-1/2"              | 3"                  | 4"                  | 6"                  | 8"                   |
|-----------------|---------------------|---------------------|---------------------|---------------------|---------------------|---------------------|----------------------|
| Thread X Thread | 12126<br>\$1,959.60 | 12059<br>\$2,025.42 | 12401<br>\$2,674.58 | N/A                 | N/A                 | N/A                 | N/A                  |
| Flange X Flange | N/A                 | N/A                 | N/A                 | 12014<br>\$2,674.58 | 11953<br>\$3,483.90 | 11955<br>\$4,765.35 | 11991<br>\$10,794.08 |
| Flange X Groove | N/A                 | N/A                 | N/A                 | 12018<br>\$2,674.58 | 11952<br>\$3,483.90 | 11954<br>\$4,765.35 | N/A                  |
| Groove X Groove | 12125<br>\$1,959.60 | 12057<br>\$2,025.42 | 12403<br>\$2,674.58 | 12022<br>\$2,674.58 | 11513<br>\$3,483.90 | 11524<br>\$4,765.35 | 11018<br>\$10,794.08 |

### Model E Deluge / Preaction Valve\* - ANGLE STYLE

| IPG V25.4       | 1-1/2"            | 2"                   | 3"                   | 4"                   | 6"                   |
|-----------------|-------------------|----------------------|----------------------|----------------------|----------------------|
| Thread X Thread | 09889<br>\$925.46 | 05852C<br>\$2,063.63 | N/A                  | N/A                  | N/A                  |
| Flange X Flange | N/A               | N/A                  | 05912C<br>\$2,725.04 | 05909C<br>\$3,549.63 | 05906C<br>\$4,855.26 |
| Flange X Groove | N/A               | N/A                  | 05835C<br>\$2,725.04 | 05839C<br>\$3,549.63 | 05456C<br>\$4,855.26 |

See page O-18/19 for additional valve and trim options, including Halar® coated valves, horizontal trim, domestic trim, and brass trim packages.

\* Valve is not included in trim packages. Please order separately. See following page for trim packages and equipment.

**Preaction System - Double Interlocked - Electric/Pneumatic Release**

| TrimPac® V25.2A        | 1-1/2"                        | 2"                            | 2-1/2"                        | 3"                            | 4"                            | 6"                            | 8"                            |
|------------------------|-------------------------------|-------------------------------|-------------------------------|-------------------------------|-------------------------------|-------------------------------|-------------------------------|
| Angle/Straight-Through | <u>13796B-6</u><br>\$3,459.23 | <u>13796B-6</u><br>\$3,459.23 | <u>13796B-6</u><br>\$3,459.23 | <u>13796B-6</u><br>\$3,459.23 | <u>13796B-6</u><br>\$3,459.23 | <u>13796B-6</u><br>\$3,459.23 | <u>13796B-6</u><br>\$3,459.23 |

TrimPac includes conventional trim, releasing device (pneumatic actuator), releasing trim, and flexible hose kit.  
Drain package for TrimPac must be ordered separately (see below).

**Drain Package (IPG V25.4E)**

| Use with TrimPac®<br>(order separately) | 11894-1<br>\$343.91 | 11894-2<br>\$278.17 | 11894-3<br>\$315.25 | 11894-3<br>\$315.25 | 11894-4<br>\$404.60 | 11894-4<br>\$404.60 | 11894-4<br>\$404.60 |
|---|---------------------|---------------------|---------------------|---------------------|---------------------|---------------------|---------------------|
|---|---------------------|---------------------|---------------------|---------------------|---------------------|---------------------|---------------------|

| 1-1/2" | 2" | 2-1/2" | 3" | 4" | 6" | 8" |
|--------|----|--------|----|----|----|----|
|--------|----|--------|----|----|----|----|

**Trim (Vertical - Straight Through Valve) - Galvanized (IPG 25.4A / 25.4C)**

|   |                               |                               |                               |                               |                               |                               |                               |
|---|-------------------------------|-------------------------------|-------------------------------|-------------------------------|-------------------------------|-------------------------------|-------------------------------|
| Loose Trim<br>(incl. accessory pkg-09316)   | <u>14634-1</u><br>\$2,205.04  | <u>14634-1</u><br>\$2,205.04  | <u>14636-1</u><br>\$2,157.92  | <u>14636-1</u><br>\$2,157.92  | <u>14639-1</u><br>\$2,258.04  | <u>14641-1</u><br>\$2,263.33  | <u>14642-1</u><br>\$3,278.54  |
| Modular Trim<br>(incl. accessory pkg-09316) | <u>14634-1P</u><br>\$2,405.04 | <u>14634-1P</u><br>\$2,405.04 | <u>14636-1P</u><br>\$2,357.92 | <u>14636-1P</u><br>\$2,357.92 | <u>14639-1P</u><br>\$2,458.04 | <u>14641-1P</u><br>\$2,463.33 | <u>14642-1P</u><br>\$3,478.54 |

**Trim (Vertical - Angle Style Valve) - Galvanized (IPG 25.4A / 25.4C)**

|   |                               |                               |     |                               |                               |                               |     |
|---|-------------------------------|-------------------------------|-----|-------------------------------|-------------------------------|-------------------------------|-----|
| Loose Trim<br>(incl. accessory pkg-09316)   | <u>14629-1</u><br>\$2,246.65  | <u>14630-1</u><br>\$2,162.48  | N/A | <u>14631-1</u><br>\$2,198.63  | <u>14632-1</u><br>\$2,300.66  | <u>14633-1</u><br>\$2,306.04  | N/A |
| Modular Trim<br>(incl. accessory pkg-09316) | <u>14629-1P</u><br>\$2,446.65 | <u>14630-1P</u><br>\$2,362.48 | N/A | <u>14631-1P</u><br>\$2,398.63 | <u>14632-1P</u><br>\$2,500.66 | <u>14633-1P</u><br>\$2,506.04 | N/A |

| 1-1/2" | 2" | 2-1/2" | 3" | 4" | 6" | 8" |
|--------|----|--------|----|----|----|----|
|--------|----|--------|----|----|----|----|

**Releasing Devices (IPG V29)**

|                |                          |                          |                          |                          |                          |                          |                          |
|----------------|--------------------------|--------------------------|--------------------------|--------------------------|--------------------------|--------------------------|--------------------------|
| Solenoid Valve | <u>11601</u><br>\$609.12 | <u>11601</u><br>\$609.12 | <u>11601</u><br>\$609.12 | <u>11601</u><br>\$609.12 | <u>11601</u><br>\$609.12 | <u>11601</u><br>\$609.12 | <u>11601</u><br>\$609.12 |
|----------------|--------------------------|--------------------------|--------------------------|--------------------------|--------------------------|--------------------------|--------------------------|

**Releasing Trim - Galvanized (IPG V25.5B)**

|   |                            |                            |                            |                            |                            |                            |                            |
|---|----------------------------|----------------------------|----------------------------|----------------------------|----------------------------|----------------------------|----------------------------|
| Loose Trim<br>(releasing device not incl.)            | <u>10830</u><br>\$65.30    | <u>10830</u><br>\$65.30    | <u>10830</u><br>\$65.30    | <u>10830</u><br>\$65.30    | <u>10830</u><br>\$65.30    | <u>10830</u><br>\$65.30    | <u>10830</u><br>\$65.30    |
| Modular Trim<br>(releasing device not incl.)          | <u>10830-P</u><br>\$284.82 | <u>10830-P</u><br>\$284.82 | <u>10830-P</u><br>\$284.82 | <u>10830-P</u><br>\$284.82 | <u>10830-P</u><br>\$284.82 | <u>10830-P</u><br>\$284.82 | <u>10830-P</u><br>\$284.82 |
| Loose Trim - DOMESTIC<br>(releasing device not incl.) | <u>10830USA</u><br>\$87.06 | <u>10830USA</u><br>\$87.06 | <u>10830USA</u><br>\$87.06 | <u>10830USA</u><br>\$87.06 | <u>10830USA</u><br>\$87.06 | <u>10830USA</u><br>\$87.06 | <u>10830USA</u><br>\$87.06 |

| 1-1/2" | 2" | 2-1/2" | 3" | 4" | 6" | 8" |
|--------|----|--------|----|----|----|----|
|--------|----|--------|----|----|----|----|

**Riser Check Valve and Trim (IPG V25.3 / V25.3A)**

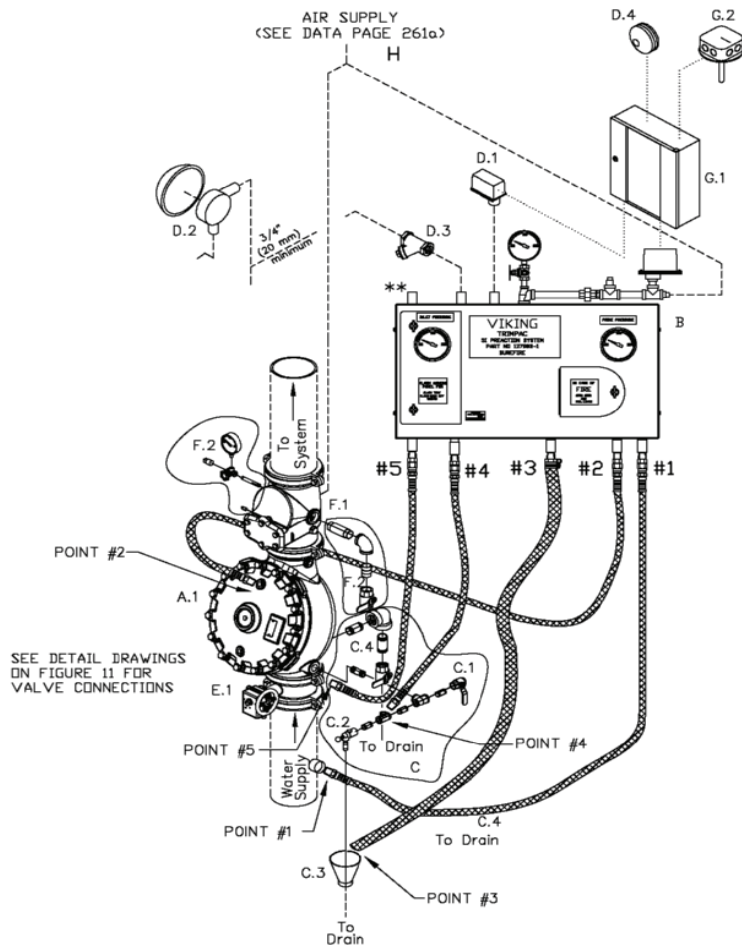
|   |                          |                          |                          |                          |                          |                            |                            |
|---|--------------------------|--------------------------|--------------------------|--------------------------|--------------------------|----------------------------|----------------------------|
| Riser Check Valve<br>Threaded             | <u>10659</u><br>\$443.63 | <u>10667</u><br>\$443.63 | N/A                      | N/A                      | N/A                      | N/A                        | N/A                        |
| Riser Check Valve<br>Flange / Flange      | N/A                      | N/A                      | N/A                      | <u>08505</u><br>\$748.43 | <u>08508</u><br>\$771.15 | <u>08511</u><br>\$1,271.50 | N/A                        |
| Riser Check Valve<br>Flange / Groove      | N/A                      | N/A                      | N/A                      | <u>08506</u><br>\$634.75 | <u>08509</u><br>\$653.34 | <u>08512</u><br>\$1,081.27 | <u>08515</u><br>\$2,040.58 |
| Riser Check Valve<br>Groove / Groove      | <u>11054</u><br>\$443.63 | <u>11059</u><br>\$512.92 | <u>07929</u><br>\$539.61 | <u>08507</u><br>\$539.61 | <u>08510</u><br>\$539.61 | <u>08513</u><br>\$998.59   | <u>08516</u><br>\$1,885.56 |
| Riser Check Valve Trim<br>(For Preaction) | <u>12960</u><br>\$147.24 | <u>12960</u><br>\$147.24 | <u>13776</u><br>\$368.86 | <u>13776</u><br>\$368.86 | <u>13777</u><br>\$389.91 | <u>13777</u><br>\$389.91   | <u>13777</u><br>\$389.91   |

\* Riser check valve trim includes system main drain valve and air pressure gauge.

**Viking Quik Pik Packages - Complete packages customized to fit your requirements**

|  |                            |                       |   |
|--|----------------------------|-----------------------|---|
| Viking's exclusive Quik Pik packages allow you to customize the components needed in your deluge or preaction system. Contact your customer service center today to see how quick & easy ordering a deluge or preaction system can be. | SQP00730 (1 1/2" - Thread) | SQP00770 (4" - F x G) | See pgs O-14-17 for available accessories & related equipment |
|  | SQP00740 (2" - Thread)     | SQP00780 (4" - F x F) |   |
|  | SQP00750 (3" - F x G)      | SQP00790 (6" - F x G) |   |
|  | SQP00760 (3" - F x F)      | SQP00800 (6" - F x F) |   |

**SureFire® Preaction System - Single/Double Interlocked**



SUREFIRE SINGLE INTERLOCKED  
PREACTION SYSTEM

- A System Valve
  - A.1 Deluge Valve
- B Trimpac
  - Trimpac Components
- C Trimpac Drain Package
  - C.1 Auxiliary Drain Valve (NC)
  - C.2 Drip Check Valve
  - C.3 Drain Cup
  - C.4 Flow Test Valve (NC)
- D Water Flow Alarm Equipment
  - D.1 Alarm Pressure Switch
  - D.2 Water Motor Alarm (F-2) (Optional)
  - D.3 Strainer
  - D.4 Electric Alarm Bell
- E Riser
  - E.1 Water Supply Control Valve
- F Check Valve
  - F.1 2-1/2"-6" Easy Riser Check Valve
  - F.2 Check Valve Trim
- G Release System
  - G.1 Par-3 or VFR400 Release Control Par (VFR400 Panel available 1st qtr. 2008)
  - G.2 Electric Detection System (Heat Detector shown for clarity)
- H Air Supply

SEE DETAIL DRAWINGS  
ON FIGURE 11 FOR  
VALVE CONNECTIONS

Components shown above are included in Quik Pik packages as customized by user. See page O-13.  
TrimPac can be used with either straight through or angle style valves (straight through shown)

**Model F Deluge / Preaction Valve\* - STRAIGHT THROUGH**

| IPG V25.4       | 1-1/2"                     | 2"                         | 2-1/2"                     | 3"                         | 4"                         | 6"                         | 8"                          |
|-----------------|----------------------------|----------------------------|----------------------------|----------------------------|----------------------------|----------------------------|-----------------------------|
| Thread X Thread | <u>12126</u><br>\$1,959.60 | <u>12059</u><br>\$2,025.42 | <u>12401</u><br>\$2,674.58 | N/A                        | N/A                        | N/A                        | N/A                         |
| Flange X Flange | N/A                        | N/A                        | N/A                        | <u>12014</u><br>\$2,674.58 | <u>11953</u><br>\$3,483.90 | <u>11955</u><br>\$4,765.35 | <u>11991</u><br>\$10,794.08 |
| Flange X Groove | N/A                        | N/A                        | N/A                        | <u>12018</u><br>\$2,674.58 | <u>11952</u><br>\$3,483.90 | <u>11954</u><br>\$4,765.35 | N/A                         |
| Groove X Groove | <u>12125</u><br>\$1,959.60 | <u>12057</u><br>\$2,025.42 | <u>12403</u><br>\$2,674.58 | <u>12022</u><br>\$2,674.58 | <u>11513</u><br>\$3,483.90 | <u>11524</u><br>\$4,765.35 | <u>11018</u><br>\$10,794.08 |

**Model E Deluge / Preaction Valve\* - ANGLE STYLE**

| IPG V25.4       | 1-1/2"                   | 2"                          | 3"                          | 4"                          | 6"                          |
|-----------------|--------------------------|-----------------------------|-----------------------------|-----------------------------|-----------------------------|
| Thread X Thread | <u>09889</u><br>\$925.46 | <u>05852C</u><br>\$2,063.63 | N/A                         | N/A                         | N/A                         |
| Flange X Flange | N/A                      | N/A                         | <u>05912C</u><br>\$2,725.04 | <u>05909C</u><br>\$3,549.63 | <u>05906C</u><br>\$4,855.26 |
| Flange X Groove | N/A                      | N/A                         | <u>05835C</u><br>\$2,725.04 | <u>05839C</u><br>\$3,549.63 | <u>05456C</u><br>\$4,855.26 |

See page O-18/19 for additional valve and trim options, including Halar® coated valves, horizontal trim, domestic trim, and brass trim packages.

\* Valve is not included in trim packages. Please order separately. See following page for trim packages and equipment.

**SureFire® Preaction System - Single/Double Interlocked**

Viking's SureFire® fail safe preaction system is available in TrimPac arrangement only. Loose or modular trim not offered.

| TrimPac® <sup>1,2,3</sup> V25.2A                                | 1-1/2"                 | 2"                     | 2-1/2"                 | 3"                     | 4"                     | 6"                     | 8"                     |
|---|------------------------|------------------------|------------------------|------------------------|------------------------|------------------------|------------------------|
| <b>Single Interlock</b><br><i>(includes release &amp; trim)</i> | 13798D-1<br>\$4,670.68 | 13798D-1<br>\$4,670.68 | 13798D-1<br>\$4,670.68 | 13798D-1<br>\$4,670.68 | 13798D-1<br>\$4,670.68 | 13798D-1<br>\$4,670.68 | 13798D-1<br>\$4,670.68 |
| <b>Double Interlock</b><br><i>(includes release &amp; trim)</i> | 13799D-2<br>\$5,107.99 | 13799D-2<br>\$5,107.99 | 13799D-2<br>\$5,107.99 | 13799D-2<br>\$5,107.99 | 13799D-2<br>\$5,107.99 | 13799D-2<br>\$5,107.99 | 13799D-2<br>\$5,107.99 |

(1) SureFire TrimPac systems include conventional trim, release module/trim, and flexible hose kit. Use with both angle and straight through style valves.

(2) Drain package not included. See below.

(3) Galvanized trim. Brass trim options shown on page O-18.

**Drain Package (IPG V25.4E)**

| Use with TrimPac®<br><i>(order separately)</i> | 11894-1<br>\$343.91 | 11894-2<br>\$278.17 | 11894-3<br>\$315.25 | 11894-3<br>\$315.25 | 11894-4<br>\$404.60 | 11894-4<br>\$404.60 | 11894-4<br>\$404.60 |
|--|---------------------|---------------------|---------------------|---------------------|---------------------|---------------------|---------------------|
|  |                     |                     |                     |                     |                     |                     |                     |

IPG V25.3 / V25.3A

|  | 1-1/2"            | 2"                | 2-1/2"            | 3"                | 4"                | 6"                  | 8"                  |
|--|-------------------|-------------------|-------------------|-------------------|-------------------|---------------------|---------------------|
| <b>Riser Check Valve and Trim</b> <i>(not included with TrimPac)</i> |                   |                   |                   |                   |                   |                     |                     |
| <b>Riser Check Valve</b><br>Threaded                                 | 10659<br>\$443.63 | 10667<br>\$443.63 | N/A               | N/A               | N/A               | N/A                 | N/A                 |
| <b>Riser Check Valve</b><br>Flange / Flange                          | N/A               | N/A               | N/A               | 08505<br>\$748.43 | 08508<br>\$771.15 | 08511<br>\$1,271.50 | N/A                 |
| <b>Riser Check Valve</b><br>Flange / Groove                          | N/A               | N/A               | N/A               | 08506<br>\$634.75 | 08509<br>\$653.34 | 08512<br>\$1,081.27 | 08515<br>\$2,040.58 |
| <b>Riser Check Valve</b><br>Groove / Groove                          | 11054<br>\$443.63 | 11059<br>\$512.92 | 07929<br>\$539.61 | 08507<br>\$539.61 | 08510<br>\$539.61 | 08513<br>\$998.59   | 08516<br>\$1,885.56 |
| <b>Riser Check Valve Trim</b><br><i>(For Preaction)</i>              | 12960<br>\$147.24 | 12960<br>\$147.24 | 13776<br>\$368.86 | 13776<br>\$368.86 | 13777<br>\$389.91 | 13777<br>\$389.91   | 13777<br>\$389.91   |

\* Riser check valve trim includes system main drain valve and air pressure gauge.

**Viking Quik Pik Packages - Complete packages customized to fit your requirements**

Viking's Quik Pik packages allow you to customize the components needed in your deluge or preaction system. Contact your customer service center today to see how quick & easy ordering a system can be.

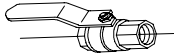
| SureFire® - Single Interlocked |                       | SureFire® - Double Interlocked |                       |
|--------------------------------|-----------------------|--------------------------------|-----------------------|
| SQP01050 (1 1/2" / DN40)       | SQP01080 (4" / DN100) | SQP01110 (1 1/2" / DN40)       | SQP01140 (4" / DN100) |
| SQP01060 (2" / DN50)           | SQP01090 (6" / DN150) | SQP01120 (2" / DN50)           | SQP01150 (6" / DN150) |
| SQP01070 (3" / DN80)           | SQP01100 (8" / DN200) | SQP01130 (3" / DN80)           | SQP01160 (8" / DN200) |

**Accessories for TrimPac®**

| Replacement Hose   | V25.2A            | Riser Mounting Kit   | V25.2A            |
|--|-------------------|--|-------------------|
| Flexible braided hose<br><i>(5' length, stainless steel / Teflon®)</i> | 11895<br>\$224.20 | <i>(use when mounting TrimPac unit to riser)</i><br>Vertical | 11900<br>\$660.81 |
| PVC drain hose   | 12071<br>\$95.16  | Horizontal   | 11901<br>\$908.65 |
| Air Line Trim - TANK MOUNTED   | V25.2A            | Air Line Trim - TANKLESS                                     | V25.2A            |
| <i>(not for use with Deluge TrimPac Systems)</i>                       |                   | <i>(not for use with Deluge TrimPac Systems)</i>             |                   |
| 13770<br>\$1,200.56  |                   | 13771<br>\$421.25  |                   |

\* See pages O-14 through O-17 for additional accessories and related components

**Accessories and Additional Components**

| <p><b>In-Line Check Valves (Threaded)</b></p> <p><u>Model K-1 (threaded)</u></p> <table border="1"> <tr><td>1 1/2"</td><td>10659</td><td>\$443.63</td></tr> <tr><td>2"</td><td>10667</td><td>\$512.92</td></tr> </table> <p><u>Model L-1 (grooved)</u></p> <table border="1"> <tr><td>1 1/2"</td><td>11054</td><td>\$443.63</td></tr> <tr><td>2"</td><td>11059</td><td>\$512.92</td></tr> </table> <p>IPG V25.3C</p> | 1 1/2" | 10659    | \$443.63               | 2"       | 10667 | \$512.92 | 1 1/2" | 11054 | \$443.63 | 2" | 11059 | \$512.92 | <p><b>In-Line Check Valve Trim (1-1/2" - 2")</b></p> <p><u>Model L-1 / K-1</u></p> <table border="1"> <tr><td></td><td>12960</td><td>\$147.24</td></tr> </table> <p>IPG V25.3A</p> |  | 12960 | \$147.24 | <p><b>Ball Valve</b>  IPG V25.1</p> <table border="1"> <tr><th colspan="3"></th><th colspan="2"><u>Stainless Steel</u></th></tr> <tr><td>1/4"</td><td>10354</td><td>\$19.98</td><td>10644</td><td>\$173.43</td></tr> <tr><td>1/2"</td><td>10355</td><td>\$33.95</td><td>10645</td><td>\$173.43</td></tr> <tr><td>3/4"</td><td>09862</td><td>\$34.70</td><td>10646</td><td>\$278.21</td></tr> <tr><td>1"</td><td>10356</td><td>\$50.38</td><td>10647</td><td>\$337.23</td></tr> <tr><td>1-1/4"</td><td>09863</td><td>\$90.01</td><td>10648</td><td>\$642.82</td></tr> <tr><td>2"</td><td>09864</td><td>\$153.74</td><td>10649</td><td>\$872.55</td></tr> </table> |  |  |  | <u>Stainless Steel</u> |  | 1/4" | 10354 | \$19.98 | 10644 | \$173.43 | 1/2" | 10355 | \$33.95 | 10645 | \$173.43 | 3/4" | 09862 | \$34.70 | 10646 | \$278.21 | 1" | 10356 | \$50.38 | 10647 | \$337.23 | 1-1/4" | 09863 | \$90.01 | 10648 | \$642.82 | 2" | 09864 | \$153.74 | 10649 | \$872.55 |
|--|--------|----------|------------------------|----------|-------|----------|--------|-------|----------|----|-------|----------|--|--|-------|----------|---|--|--|--|------------------------|--|------|-------|---------|-------|----------|------|-------|---------|-------|----------|------|-------|---------|-------|----------|----|-------|---------|-------|----------|--------|-------|---------|-------|----------|----|-------|----------|-------|----------|
| 1 1/2"   | 10659  | \$443.63 |                        |          |       |          |        |       |          |    |       |          |  |  |       |          |   |  |  |  |                        |  |      |       |         |       |          |      |       |         |       |          |      |       |         |       |          |    |       |         |       |          |        |       |         |       |          |    |       |          |       |          |
| 2"   | 10667  | \$512.92 |                        |          |       |          |        |       |          |    |       |          |  |  |       |          |   |  |  |  |                        |  |      |       |         |       |          |      |       |         |       |          |      |       |         |       |          |    |       |         |       |          |        |       |         |       |          |    |       |          |       |          |
| 1 1/2"   | 11054  | \$443.63 |                        |          |       |          |        |       |          |    |       |          |  |  |       |          |   |  |  |  |                        |  |      |       |         |       |          |      |       |         |       |          |      |       |         |       |          |    |       |         |       |          |        |       |         |       |          |    |       |          |       |          |
| 2"   | 11059  | \$512.92 |                        |          |       |          |        |       |          |    |       |          |  |  |       |          |   |  |  |  |                        |  |      |       |         |       |          |      |       |         |       |          |      |       |         |       |          |    |       |         |       |          |        |       |         |       |          |    |       |          |       |          |
|  | 12960  | \$147.24 |                        |          |       |          |        |       |          |    |       |          |  |  |       |          |   |  |  |  |                        |  |      |       |         |       |          |      |       |         |       |          |      |       |         |       |          |    |       |         |       |          |        |       |         |       |          |    |       |          |       |          |
|  |        |          | <u>Stainless Steel</u> |          |       |          |        |       |          |    |       |          |  |  |       |          |   |  |  |  |                        |  |      |       |         |       |          |      |       |         |       |          |      |       |         |       |          |    |       |         |       |          |        |       |         |       |          |    |       |          |       |          |
| 1/4"   | 10354  | \$19.98  | 10644                  | \$173.43 |       |          |        |       |          |    |       |          |  |  |       |          |   |  |  |  |                        |  |      |       |         |       |          |      |       |         |       |          |      |       |         |       |          |    |       |         |       |          |        |       |         |       |          |    |       |          |       |          |
| 1/2"   | 10355  | \$33.95  | 10645                  | \$173.43 |       |          |        |       |          |    |       |          |  |  |       |          |   |  |  |  |                        |  |      |       |         |       |          |      |       |         |       |          |      |       |         |       |          |    |       |         |       |          |        |       |         |       |          |    |       |          |       |          |
| 3/4"   | 09862  | \$34.70  | 10646                  | \$278.21 |       |          |        |       |          |    |       |          |  |  |       |          |   |  |  |  |                        |  |      |       |         |       |          |      |       |         |       |          |      |       |         |       |          |    |       |         |       |          |        |       |         |       |          |    |       |          |       |          |
| 1"   | 10356  | \$50.38  | 10647                  | \$337.23 |       |          |        |       |          |    |       |          |  |  |       |          |   |  |  |  |                        |  |      |       |         |       |          |      |       |         |       |          |      |       |         |       |          |    |       |         |       |          |        |       |         |       |          |    |       |          |       |          |
| 1-1/4"   | 09863  | \$90.01  | 10648                  | \$642.82 |       |          |        |       |          |    |       |          |  |  |       |          |   |  |  |  |                        |  |      |       |         |       |          |      |       |         |       |          |      |       |         |       |          |    |       |         |       |          |        |       |         |       |          |    |       |          |       |          |
| 2"   | 09864  | \$153.74 | 10649                  | \$872.55 |       |          |        |       |          |    |       |          |  |  |       |          |   |  |  |  |                        |  |      |       |         |       |          |      |       |         |       |          |      |       |         |       |          |    |       |         |       |          |        |       |         |       |          |    |       |          |       |          |

|   |            |          |   |       |            |
|---|------------|----------|---|-------|------------|
| <p><b>Pressure Operated Relief Valve (PORV) - Model D-1</b></p> <p><u>1/2" / DN15</u></p> <p><u>Brass</u></p> <table border="1"> <tr><td>13598</td><td>\$916.23</td></tr> </table> <p>IPG V28</p> | 13598      | \$916.23 | <p><b>Pressure Operated Relief Valve (PORV) - Model D-2</b></p> <p><u>1/2" / DN15</u></p> <p><u>Corrosion Resistant</u></p> <table border="1"> <tr><td>13858</td><td>\$1,409.59</td></tr> </table> <p>IPG V28</p> | 13858 | \$1,409.59 |
| 13598   | \$916.23   |          |   |       |            |
| 13858   | \$1,409.59 |          |   |       |            |

|  |                  |  |  |   |  |              |                            |                  |                  |                  |        |          |       |  |  |          |  |  |       |  |  |          |
|--|------------------|--|--|---|--|--------------|----------------------------|------------------|------------------|------------------|--------|----------|-------|--|--|----------|--|--|-------|--|--|----------|
| <p><b>POSO Valve Replacement Kit</b></p> <table border="1"> <tr><td>10376</td><td>\$1,388.92</td></tr> </table> <p>IPG V25.1</p>   | 10376            | \$1,388.92   | <p><b>Air Gauge</b></p> <p>0-300 psi (2068 kPa)</p> <p><u>1/4" / DN8</u></p> <p>VAIRSF</p> <table border="1"> <tr><td>\$75.04</td></tr> </table> <p>IPG V25.1</p>  | \$75.04   | <p><b>Globe Valve for Gauges (side outlet)</b></p> <p><u>1/4" / DN8</u></p> <p>76V-25</p> <table border="1"> <tr><td>\$17.30</td></tr> </table> <p>IPG V25.1</p>   | \$17.30      |                            |                  |                  |                  |        |          |       |  |  |          |  |  |       |  |  |          |
| 10376  | \$1,388.92       |  |  |   |  |              |                            |                  |                  |                  |        |          |       |  |  |          |  |  |       |  |  |          |
| \$75.04  |                  |  |  |   |  |              |                            |                  |                  |                  |        |          |       |  |  |          |  |  |       |  |  |          |
| \$17.30  |                  |  |  |   |  |              |                            |                  |                  |                  |        |          |       |  |  |          |  |  |       |  |  |          |
| <p><b>Air Supply Check Valve</b></p> <p><u>1/2" / DN15</u></p> <p>03945A</p> <table border="1"> <tr><td>\$58.54</td></tr> </table> <p>IPG V25.1</p>  | \$58.54          | <p><b>Drain Cup</b></p> <p><u>1/2" / DN40</u></p> <p>01019B</p> <table border="1"> <tr><td>\$98.63</td></tr> </table> <p>IPG V25.1</p> | \$98.63  | <p><b>Drain Check Valve</b> IPG V25.1</p> <p><u>1/2" / DN15</u></p> <p>05781A</p> <table border="1"> <tr><td>\$62.17</td></tr> </table> <p><u>Corrosion Resistant</u></p> <p>05781AJ</p> <table border="1"> <tr><td>\$122.70</td></tr> </table> | \$62.17  | \$122.70     |                            |                  |                  |                  |        |          |       |  |  |          |  |  |       |  |  |          |
| \$58.54  |                  |  |  |   |  |              |                            |                  |                  |                  |        |          |       |  |  |          |  |  |       |  |  |          |
| \$98.63  |                  |  |  |   |  |              |                            |                  |                  |                  |        |          |       |  |  |          |  |  |       |  |  |          |
| \$62.17  |                  |  |  |   |  |              |                            |                  |                  |                  |        |          |       |  |  |          |  |  |       |  |  |          |
| \$122.70   |                  |  |  |   |  |              |                            |                  |                  |                  |        |          |       |  |  |          |  |  |       |  |  |          |
| <p><b>Drip Check Valve - Model D-1</b></p> <p><u>3/4" / DN20</u></p> <p>10730</p> <table border="1"> <tr><td>\$162.74</td></tr> </table> <p><u>Corrosion Resistant (D-4)</u></p> <p>IPG V25.1</p> <p>10733</p> <table border="1"> <tr><td>\$184.27</td></tr> </table>    | \$162.74         | \$184.27   | <p><b>Water Gauge</b></p> <p>0-300 psi</p> <p><u>1/4" VWATERSF</u></p> <table border="1"> <tr><td>\$21.04</td></tr> </table>   | \$21.04   | <p><b>Prime Shut-Off Valve</b> IPG V25.1</p> <p><u>1/2" / DN15</u></p> <p>10723</p> <table border="1"> <tr><td>\$663.51</td></tr> </table> <p><u>Corrosion Resistant</u></p> <p>10724</p> <table border="1"> <tr><td>\$891.93</td></tr> </table> | \$663.51     | \$891.93                   |                  |                  |                  |        |          |       |  |  |          |  |  |       |  |  |          |
| \$162.74   |                  |  |  |   |  |              |                            |                  |                  |                  |        |          |       |  |  |          |  |  |       |  |  |          |
| \$184.27   |                  |  |  |   |  |              |                            |                  |                  |                  |        |          |       |  |  |          |  |  |       |  |  |          |
| \$21.04  |                  |  |  |   |  |              |                            |                  |                  |                  |        |          |       |  |  |          |  |  |       |  |  |          |
| \$663.51   |                  |  |  |   |  |              |                            |                  |                  |                  |        |          |       |  |  |          |  |  |       |  |  |          |
| \$891.93   |                  |  |  |   |  |              |                            |                  |                  |                  |        |          |       |  |  |          |  |  |       |  |  |          |
| <p><b>Y Strainer</b> IPG V25.1</p> <p><u>1/4" / DN15</u></p> <p>14BYS</p> <table border="1"> <tr><td>\$16.10</td></tr> </table> <p><u>Corrosion Resistant</u></p> <p>09742</p> <table border="1"> <tr><td>\$201.60</td></tr> </table>                                    | \$16.10          | \$201.60   | <p><b>Restricted Orifice</b></p> <p><u>5/64" / 2mm</u></p> <p><u>1/2" / DN15</u></p> <p>11706</p> <table border="1"> <tr><td>\$49.93</td></tr> </table> <p>IPG V25.1</p>   | \$49.93   | <p><b>In-Line Check Valve</b> IPG V25.1</p> <p><u>1/4" / DN8</u></p> <p>04947A</p> <table border="1"> <tr><td>\$104.11</td></tr> </table> <p><u>Stainless Steel</u></p> <p>09741</p> <table border="1"> <tr><td>\$167.15</td></tr> </table>      | \$104.11     | \$167.15                   |                  |                  |                  |        |          |       |  |  |          |  |  |       |  |  |          |
| \$16.10  |                  |  |  |   |  |              |                            |                  |                  |                  |        |          |       |  |  |          |  |  |       |  |  |          |
| \$201.60   |                  |  |  |   |  |              |                            |                  |                  |                  |        |          |       |  |  |          |  |  |       |  |  |          |
| \$49.93  |                  |  |  |   |  |              |                            |                  |                  |                  |        |          |       |  |  |          |  |  |       |  |  |          |
| \$104.11   |                  |  |  |   |  |              |                            |                  |                  |                  |        |          |       |  |  |          |  |  |       |  |  |          |
| \$167.15   |                  |  |  |   |  |              |                            |                  |                  |                  |        |          |       |  |  |          |  |  |       |  |  |          |
| <p><b>Restricted Orifice</b> IPG V25.1</p> <p><u>1/4" (DN8)</u></p> <p>1/16" (1.6mm) 10110</p> <table border="1"> <tr><td>\$25.92</td></tr> </table> <p><u>Corrosion Resistant</u></p> <p>1/16" (1.6mm) 10110J</p> <table border="1"> <tr><td>\$56.35</td></tr> </table> | \$25.92          | \$56.35  | <p><b>Emergency Release</b></p> <table border="1"> <tr> <td><u>1/2" (Galvanized)</u></td> <td><u>Brass</u></td> <td><u>Corrosion Resistant</u></td> </tr> <tr> <td><u>Model C-1</u></td> <td><u>Model C-2</u></td> <td><u>Model C-3</u></td> </tr> <tr> <td>01553C</td> <td>\$341.46</td> <td>09387</td> </tr> <tr> <td></td> <td></td> <td>\$398.36</td> </tr> <tr> <td></td> <td></td> <td>09734</td> </tr> <tr> <td></td> <td></td> <td>\$873.64</td> </tr> </table> <p>IPG V25.1</p> |   | <u>1/2" (Galvanized)</u>   | <u>Brass</u> | <u>Corrosion Resistant</u> | <u>Model C-1</u> | <u>Model C-2</u> | <u>Model C-3</u> | 01553C | \$341.46 | 09387 |  |  | \$398.36 |  |  | 09734 |  |  | \$873.64 |
| \$25.92  |                  |  |  |   |  |              |                            |                  |                  |                  |        |          |       |  |  |          |  |  |       |  |  |          |
| \$56.35  |                  |  |  |   |  |              |                            |                  |                  |                  |        |          |       |  |  |          |  |  |       |  |  |          |
| <u>1/2" (Galvanized)</u>   | <u>Brass</u>     | <u>Corrosion Resistant</u>   |  |   |  |              |                            |                  |                  |                  |        |          |       |  |  |          |  |  |       |  |  |          |
| <u>Model C-1</u>   | <u>Model C-2</u> | <u>Model C-3</u>   |  |   |  |              |                            |                  |                  |                  |        |          |       |  |  |          |  |  |       |  |  |          |
| 01553C   | \$341.46         | 09387  |  |   |  |              |                            |                  |                  |                  |        |          |       |  |  |          |  |  |       |  |  |          |
|  |                  | \$398.36   |  |   |  |              |                            |                  |                  |                  |        |          |       |  |  |          |  |  |       |  |  |          |
|  |                  | 09734  |  |   |  |              |                            |                  |                  |                  |        |          |       |  |  |          |  |  |       |  |  |          |
|  |                  | \$873.64   |  |   |  |              |                            |                  |                  |                  |        |          |       |  |  |          |  |  |       |  |  |          |

**Accessories for TrimPac®**

|   |            |            |       |          |   |       |          |       |         |  |       |          |       |          |
|---|------------|------------|-------|----------|---|-------|----------|-------|---------|--|-------|----------|-------|----------|
| <p><b>Air Line Trim</b></p> <p>(not for use with Deluge TrimPac System)</p> <p><u>Tank Mounted</u></p> <table border="1"> <tr><td>13770</td><td>\$1,194.79</td></tr> </table> <p><u>Tankless</u></p> <table border="1"> <tr><td>13771</td><td>\$421.25</td></tr> </table> <p>IPG V25.2A</p> | 13770      | \$1,194.79 | 13771 | \$421.25 | <p><b>Replacement Hose</b></p> <p><u>Flexible/braided</u></p> <table border="1"> <tr><td>11895</td><td>\$224.20</td></tr> </table> <p>(5' length, stainless steel / Teflon®)</p> <p><u>PVC drain hose</u></p> <table border="1"> <tr><td>12071</td><td>\$95.16</td></tr> </table> <p>IPG V25.2A</p> | 11895 | \$224.20 | 12071 | \$95.16 | <p><b>Riser Mounting Kit</b></p> <p>(when mounting TrimPac to riser)</p> <p><u>Vertical</u></p> <table border="1"> <tr><td>11900</td><td>\$660.81</td></tr> </table> <p><u>Horizontal</u></p> <table border="1"> <tr><td>11901</td><td>\$908.65</td></tr> </table> <p>IPG V25.2A</p> | 11900 | \$660.81 | 11901 | \$908.65 |
| 13770   | \$1,194.79 |            |       |          |   |       |          |       |         |  |       |          |       |          |
| 13771   | \$421.25   |            |       |          |   |       |          |       |         |  |       |          |       |          |
| 11895   | \$224.20   |            |       |          |   |       |          |       |         |  |       |          |       |          |
| 12071   | \$95.16    |            |       |          |   |       |          |       |         |  |       |          |       |          |
| 11900   | \$660.81   |            |       |          |   |       |          |       |         |  |       |          |       |          |
| 11901   | \$908.65   |            |       |          |   |       |          |       |         |  |       |          |       |          |





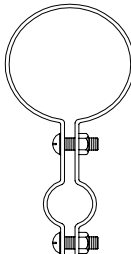
**Accessories for Old Style Trim**

|   |          |   |          |  |         |
|---|----------|---|----------|--|---------|
| <p><b>Model A-2 Strainer Orifice Check Vlv</b></p> <p><u>1/4" (DN8)</u></p> <p>06579B</p> <table border="1"> <tr><td>\$309.85</td></tr> </table> <p>IPG V25.1</p> | \$309.85 | <p><b>Alarm Test/Alarm Shut-Off Valve</b></p> <p><u>1/2" (DN15)</u></p> <p>06174A</p> <table border="1"> <tr><td>\$244.48</td></tr> </table> <p>IPG V25.1</p> | \$244.48 | <p><b>Spring Loaded Check Valve</b></p> <p>(with viton disc)</p> <p><u>1/2" (DN15)</u></p> <p>08431</p> <table border="1"> <tr><td>\$43.78</td></tr> </table> <p>IPG V25.1</p> | \$43.78 |
| \$309.85  |          |   |          |  |         |
| \$244.48  |          |   |          |  |         |
| \$43.78   |          |   |          |  |         |




### Accessories for Pneumatic Release Systems


| <p><b>Pneumatic Actuator</b></p>  <p>1/2" (DN15)<br/>Model H-1<br/>06459B \$649.12<br/>Corrosion Resistant (Model R-1)<br/>09733 \$902.06<br/>IPG V25.1</p>   | <p><b>Accelerator (Model E-1)</b></p>  <p>Model E-1 List<br/>08055 \$988.77<br/>IPG V25.1</p> |            |            |            |        |            |   |        |          |   |             |            |          |                 |  |  |      |        |            |             |          |            |
|--|--|------------|------------|------------|--------|------------|---|--------|----------|---|-------------|------------|----------|-----------------|--|--|------|--------|------------|-------------|----------|------------|
| <p><b>Model D-2 - Air Pressure Maintenance Device</b></p>  <table border="1"> <thead> <tr> <th>Size</th> <th>Part #</th> <th>List Price</th> </tr> </thead> <tbody> <tr> <td>1/4" / DN8</td> <td>02280C</td> <td>\$541.66</td> </tr> </tbody> </table> <p>IPG V25.1</p>   | Size   | Part #     | List Price | 1/4" / DN8 | 02280C | \$541.66   | <p><b>Model D-2 - Air Pressure Maintenance Device</b></p> <table border="1"> <thead> <tr> <th>Size</th> <th>Part #</th> <th>List Price</th> </tr> </thead> <tbody> <tr> <td>1/2" / DN15</td> <td>07459</td> <td>\$829.61</td> </tr> <tr> <td colspan="3"><b>DOMESTIC</b></td> </tr> <tr> <th>Size</th> <th>Part #</th> <th>List Price</th> </tr> <tr> <td>1/2" / DN15</td> <td>07459USA</td> <td>\$1,106.14</td> </tr> </tbody> </table> <p>IPG V25.1</p> | Size   | Part #   | List Price  | 1/2" / DN15 | 07459      | \$829.61 | <b>DOMESTIC</b> |  |  | Size | Part # | List Price | 1/2" / DN15 | 07459USA | \$1,106.14 |
| Size   | Part #   | List Price |            |            |        |            |   |        |          |   |             |            |          |                 |  |  |      |        |            |             |          |            |
| 1/4" / DN8   | 02280C   | \$541.66   |            |            |        |            |   |        |          |   |             |            |          |                 |  |  |      |        |            |             |          |            |
| Size   | Part #   | List Price |            |            |        |            |   |        |          |   |             |            |          |                 |  |  |      |        |            |             |          |            |
| 1/2" / DN15  | 07459  | \$829.61   |            |            |        |            |   |        |          |   |             |            |          |                 |  |  |      |        |            |             |          |            |
| <b>DOMESTIC</b>  |  |            |            |            |        |            |   |        |          |   |             |            |          |                 |  |  |      |        |            |             |          |            |
| Size   | Part #   | List Price |            |            |        |            |   |        |          |   |             |            |          |                 |  |  |      |        |            |             |          |            |
| 1/2" / DN15  | 07459USA   | \$1,106.14 |            |            |        |            |   |        |          |   |             |            |          |                 |  |  |      |        |            |             |          |            |
| <p><b>Dehydrator Package</b></p> <p>Includes:</p> <ul style="list-style-type: none"> <li>- Desiccant</li> <li>- Mounting Brackets</li> <li>- Nipples</li> </ul> <table border="1"> <thead> <tr> <th>Size</th> <th>Part #</th> <th>List Price</th> </tr> </thead> <tbody> <tr> <td>1/4" (DN8)</td> <td>01285A</td> <td>\$1,117.02</td> </tr> <tr> <td>Extra Desiccant*</td> <td>02535A</td> <td>\$252.91</td> </tr> </tbody> </table> <p>IPG V25.1 *one unit fills dehydrator</p> | Size   | Part #     | List Price | 1/4" (DN8) | 01285A | \$1,117.02 | Extra Desiccant*  | 02535A | \$252.91 | <p><b>Replacement Restriction</b></p> <p>Release Line Air Supply</p>  <table border="1"> <thead> <tr> <th>Part #</th> <th>List Price</th> </tr> </thead> <tbody> <tr> <td>02902B</td> <td>\$114.38</td> </tr> </tbody> </table> <p>IPG V25.1</p> | Part #      | List Price | 02902B   | \$114.38        |  |  |      |        |            |             |          |            |
| Size   | Part #   | List Price |            |            |        |            |   |        |          |   |             |            |          |                 |  |  |      |        |            |             |          |            |
| 1/4" (DN8)   | 01285A   | \$1,117.02 |            |            |        |            |   |        |          |   |             |            |          |                 |  |  |      |        |            |             |          |            |
| Extra Desiccant*   | 02535A   | \$252.91   |            |            |        |            |   |        |          |   |             |            |          |                 |  |  |      |        |            |             |          |            |
| Part #   | List Price   |            |            |            |        |            |   |        |          |   |             |            |          |                 |  |  |      |        |            |             |          |            |
| 02902B   | \$114.38   |            |            |            |        |            |   |        |          |   |             |            |          |                 |  |  |      |        |            |             |          |            |

### Accessories for Pneumatic and Hydraulic Systems

| <p><b>Thermostatic Release (Model C-1)</b></p> <p>(Includes 155°F/68°C fixed temperature release)</p> <p>- indoor and outdoor use</p>  <table border="1"> <thead> <tr> <th>Standard</th> <th>Part #</th> <th>List Price</th> </tr> </thead> <tbody> <tr> <td></td> <td>01432C</td> <td>\$1,057.63</td> </tr> <tr> <td>Nitrogen Tested</td> <td>05006A</td> <td>\$1,139.33</td> </tr> </tbody> </table> <p>IPG V25.1</p>  | Standard  | Part #     | List Price |             | 01432C    | \$1,057.63 | Nitrogen Tested   | 05006A        | \$1,139.33 | <p><b>Thermostatic Release (Model C-2)</b></p> <p>(Includes 155°F/68°C fixed temperature release)</p> <p>- indoor and outdoor use</p> <p>- corrosion resistant</p> <p>- for use in salt water environments</p> <table border="1"> <thead> <tr> <th>Standard</th> <th>Part #</th> <th>List Price</th> </tr> </thead> <tbody> <tr> <td></td> <td>03991C-18</td> <td>\$1,258.56</td> </tr> <tr> <td>Nitrogen Tested</td> <td>10367</td> <td>\$1,340.26</td> </tr> </tbody> </table> <p>IPG V25.1</p> | Standard          | Part #  | List Price |           | 03991C-18 | \$1,258.56   | Nitrogen Tested | 10367  | \$1,340.26 |           |         |         |           |         |            |               |       |         |            |       |         |            |       |         |            |       |         |            |       |         |
|---|-----------|------------|------------|-------------|-----------|------------|---|---------------|------------|---|-------------------|---------|------------|-----------|-----------|--|-----------------|--------|------------|-----------|---------|---------|-----------|---------|------------|---------------|-------|---------|------------|-------|---------|------------|-------|---------|------------|-------|---------|------------|-------|---------|
| Standard  | Part #    | List Price |            |             |           |            |   |               |            |   |                   |         |            |           |           |  |                 |        |            |           |         |         |           |         |            |               |       |         |            |       |         |            |       |         |            |       |         |            |       |         |
|   | 01432C    | \$1,057.63 |            |             |           |            |   |               |            |   |                   |         |            |           |           |  |                 |        |            |           |         |         |           |         |            |               |       |         |            |       |         |            |       |         |            |       |         |            |       |         |
| Nitrogen Tested   | 05006A    | \$1,139.33 |            |             |           |            |   |               |            |   |                   |         |            |           |           |  |                 |        |            |           |         |         |           |         |            |               |       |         |            |       |         |            |       |         |            |       |         |            |       |         |
| Standard  | Part #    | List Price |            |             |           |            |   |               |            |   |                   |         |            |           |           |  |                 |        |            |           |         |         |           |         |            |               |       |         |            |       |         |            |       |         |            |       |         |            |       |         |
|   | 03991C-18 | \$1,258.56 |            |             |           |            |   |               |            |   |                   |         |            |           |           |  |                 |        |            |           |         |         |           |         |            |               |       |         |            |       |         |            |       |         |            |       |         |            |       |         |
| Nitrogen Tested   | 10367     | \$1,340.26 |            |             |           |            |   |               |            |   |                   |         |            |           |           |  |                 |        |            |           |         |         |           |         |            |               |       |         |            |       |         |            |       |         |            |       |         |            |       |         |
| <p><b>Fixed Temperature Release (Model M HP - VK800)</b></p> <p>1/2" (15 mm) - RATED TO 250 PSI (1724 kPa)</p>  <table border="1"> <thead> <tr> <th>Material</th> <th>Part #</th> <th>List Price</th> </tr> </thead> <tbody> <tr> <td>Brass</td> <td>07848A</td> <td>\$33.55</td> </tr> <tr> <td>Chrome</td> <td>07848F</td> <td>\$35.97</td> </tr> <tr> <td>White</td> <td>07848M_W</td> <td>\$35.97</td> </tr> <tr> <td>Black</td> <td>07848N</td> <td>\$45.81</td> </tr> </tbody> </table> <p>Add the temperature suffix to the part number:<br/>(°F/°C) A=135°/57°, B=155°/68°, D=175°/79°, E=200°/93°, G=286°/141°</p> <p>IPG V25.1</p>   | Material  | Part #     | List Price | Brass       | 07848A    | \$33.55    | Chrome  | 07848F        | \$35.97    | White   | 07848M_W          | \$35.97 | Black      | 07848N    | \$45.81   | <p><b>Replacement Fixed Temperature Release</b></p> <p>155°F/68°C</p>  <table border="1"> <thead> <tr> <th>Model</th> <th>Part #</th> <th>List Price</th> </tr> </thead> <tbody> <tr> <td>Model C-1</td> <td>07848FB</td> <td>\$35.97</td> </tr> <tr> <td>Model C-2</td> <td>07848CB</td> <td>\$42.88</td> </tr> </tbody> </table> <p>IPG V25.1</p> | Model           | Part # | List Price | Model C-1 | 07848FB | \$35.97 | Model C-2 | 07848CB | \$42.88    |               |       |         |            |       |         |            |       |         |            |       |         |            |       |         |
| Material  | Part #    | List Price |            |             |           |            |   |               |            |   |                   |         |            |           |           |  |                 |        |            |           |         |         |           |         |            |               |       |         |            |       |         |            |       |         |            |       |         |            |       |         |
| Brass   | 07848A    | \$33.55    |            |             |           |            |   |               |            |   |                   |         |            |           |           |  |                 |        |            |           |         |         |           |         |            |               |       |         |            |       |         |            |       |         |            |       |         |            |       |         |
| Chrome  | 07848F    | \$35.97    |            |             |           |            |   |               |            |   |                   |         |            |           |           |  |                 |        |            |           |         |         |           |         |            |               |       |         |            |       |         |            |       |         |            |       |         |            |       |         |
| White   | 07848M_W  | \$35.97    |            |             |           |            |   |               |            |   |                   |         |            |           |           |  |                 |        |            |           |         |         |           |         |            |               |       |         |            |       |         |            |       |         |            |       |         |            |       |         |
| Black   | 07848N    | \$45.81    |            |             |           |            |   |               |            |   |                   |         |            |           |           |  |                 |        |            |           |         |         |           |         |            |               |       |         |            |       |         |            |       |         |            |       |         |            |       |         |
| Model   | Part #    | List Price |            |             |           |            |   |               |            |   |                   |         |            |           |           |  |                 |        |            |           |         |         |           |         |            |               |       |         |            |       |         |            |       |         |            |       |         |            |       |         |
| Model C-1   | 07848FB   | \$35.97    |            |             |           |            |   |               |            |   |                   |         |            |           |           |  |                 |        |            |           |         |         |           |         |            |               |       |         |            |       |         |            |       |         |            |       |         |            |       |         |
| Model C-2   | 07848CB   | \$42.88    |            |             |           |            |   |               |            |   |                   |         |            |           |           |  |                 |        |            |           |         |         |           |         |            |               |       |         |            |       |         |            |       |         |            |       |         |            |       |         |
| <p><b>Operation Indicator</b></p> <p>Includes:</p> <ul style="list-style-type: none"> <li>- indoor and outdoor use</li> <li>- corrosion resistant</li> </ul> <table border="1"> <thead> <tr> <th>Size</th> <th>Part #</th> <th>List Price</th> </tr> </thead> <tbody> <tr> <td>1/2" (DN15)</td> <td>02944A</td> <td>\$41.50</td> </tr> </tbody> </table> <p>IPG V25.1</p>   | Size      | Part #     | List Price | 1/2" (DN15) | 02944A    | \$41.50    | <p><b>Adjustment Kit</b></p> <p>Includes:</p> <ul style="list-style-type: none"> <li>- indoor and outdoor use</li> <li>- corrosion resistant</li> <li>- corrosion resistant</li> </ul>  <table border="1"> <thead> <tr> <th>Model</th> <th>Part #</th> <th>List Price</th> </tr> </thead> <tbody> <tr> <td>Model C-1 and C-2</td> <td>01714A</td> <td>\$126.44</td> </tr> </tbody> </table> <p>IPG V25.1</p> | Model         | Part #     | List Price  | Model C-1 and C-2 | 01714A  | \$126.44   |           |           |  |                 |        |            |           |         |         |           |         |            |               |       |         |            |       |         |            |       |         |            |       |         |            |       |         |
| Size  | Part #    | List Price |            |             |           |            |   |               |            |   |                   |         |            |           |           |  |                 |        |            |           |         |         |           |         |            |               |       |         |            |       |         |            |       |         |            |       |         |            |       |         |
| 1/2" (DN15)   | 02944A    | \$41.50    |            |             |           |            |   |               |            |   |                   |         |            |           |           |  |                 |        |            |           |         |         |           |         |            |               |       |         |            |       |         |            |       |         |            |       |         |            |       |         |
| Model   | Part #    | List Price |            |             |           |            |   |               |            |   |                   |         |            |           |           |  |                 |        |            |           |         |         |           |         |            |               |       |         |            |       |         |            |       |         |            |       |         |            |       |         |
| Model C-1 and C-2   | 01714A    | \$126.44   |            |             |           |            |   |               |            |   |                   |         |            |           |           |  |                 |        |            |           |         |         |           |         |            |               |       |         |            |       |         |            |       |         |            |       |         |            |       |         |
| <p><b>Release Line Hangers</b></p> <p>- includes two screws/nuts</p>  <table border="1"> <thead> <tr> <th>Size</th> <th>Part #</th> <th>List Price</th> </tr> </thead> <tbody> <tr> <td>1" / DN25</td> <td>09574</td> <td>\$14.13</td> </tr> <tr> <td>1 1/4" / DN32</td> <td>09575</td> <td>\$14.13</td> </tr> <tr> <td>1 1/2" / DN40</td> <td>09576</td> <td>\$14.13</td> </tr> <tr> <td>2" / DN50</td> <td>09577</td> <td>\$14.13</td> </tr> <tr> <td>2 1/2" / DN65</td> <td>09578</td> <td>\$14.13</td> </tr> <tr> <td>3" / DN80</td> <td>09579</td> <td>\$14.13</td> </tr> </tbody> </table> <table border="1"> <thead> <tr> <th>Size</th> <th>Part #</th> <th>List Price</th> </tr> </thead> <tbody> <tr> <td>3 1/2" / DN90</td> <td>09580</td> <td>\$14.13</td> </tr> <tr> <td>4" / DN100</td> <td>09581</td> <td>\$20.65</td> </tr> <tr> <td>5" / DN125</td> <td>09582</td> <td>\$20.65</td> </tr> <tr> <td>6" / DN150</td> <td>09583</td> <td>\$20.65</td> </tr> <tr> <td>8" / DN200</td> <td>09584</td> <td>\$20.65</td> </tr> </tbody> </table> <p>Stainless steel available upon request at additional cost. Add suffix "SST" to base part number.</p> <p>IPG V25.1</p> |           | Size       | Part #     | List Price  | 1" / DN25 | 09574      | \$14.13   | 1 1/4" / DN32 | 09575      | \$14.13   | 1 1/2" / DN40     | 09576   | \$14.13    | 2" / DN50 | 09577     | \$14.13  | 2 1/2" / DN65   | 09578  | \$14.13    | 3" / DN80 | 09579   | \$14.13 | Size      | Part #  | List Price | 3 1/2" / DN90 | 09580 | \$14.13 | 4" / DN100 | 09581 | \$20.65 | 5" / DN125 | 09582 | \$20.65 | 6" / DN150 | 09583 | \$20.65 | 8" / DN200 | 09584 | \$20.65 |
| Size  | Part #    | List Price |            |             |           |            |   |               |            |   |                   |         |            |           |           |  |                 |        |            |           |         |         |           |         |            |               |       |         |            |       |         |            |       |         |            |       |         |            |       |         |
| 1" / DN25   | 09574     | \$14.13    |            |             |           |            |   |               |            |   |                   |         |            |           |           |  |                 |        |            |           |         |         |           |         |            |               |       |         |            |       |         |            |       |         |            |       |         |            |       |         |
| 1 1/4" / DN32   | 09575     | \$14.13    |            |             |           |            |   |               |            |   |                   |         |            |           |           |  |                 |        |            |           |         |         |           |         |            |               |       |         |            |       |         |            |       |         |            |       |         |            |       |         |
| 1 1/2" / DN40   | 09576     | \$14.13    |            |             |           |            |   |               |            |   |                   |         |            |           |           |  |                 |        |            |           |         |         |           |         |            |               |       |         |            |       |         |            |       |         |            |       |         |            |       |         |
| 2" / DN50   | 09577     | \$14.13    |            |             |           |            |   |               |            |   |                   |         |            |           |           |  |                 |        |            |           |         |         |           |         |            |               |       |         |            |       |         |            |       |         |            |       |         |            |       |         |
| 2 1/2" / DN65   | 09578     | \$14.13    |            |             |           |            |   |               |            |   |                   |         |            |           |           |  |                 |        |            |           |         |         |           |         |            |               |       |         |            |       |         |            |       |         |            |       |         |            |       |         |
| 3" / DN80   | 09579     | \$14.13    |            |             |           |            |   |               |            |   |                   |         |            |           |           |  |                 |        |            |           |         |         |           |         |            |               |       |         |            |       |         |            |       |         |            |       |         |            |       |         |
| Size  | Part #    | List Price |            |             |           |            |   |               |            |   |                   |         |            |           |           |  |                 |        |            |           |         |         |           |         |            |               |       |         |            |       |         |            |       |         |            |       |         |            |       |         |
| 3 1/2" / DN90   | 09580     | \$14.13    |            |             |           |            |   |               |            |   |                   |         |            |           |           |  |                 |        |            |           |         |         |           |         |            |               |       |         |            |       |         |            |       |         |            |       |         |            |       |         |
| 4" / DN100  | 09581     | \$20.65    |            |             |           |            |   |               |            |   |                   |         |            |           |           |  |                 |        |            |           |         |         |           |         |            |               |       |         |            |       |         |            |       |         |            |       |         |            |       |         |
| 5" / DN125  | 09582     | \$20.65    |            |             |           |            |   |               |            |   |                   |         |            |           |           |  |                 |        |            |           |         |         |           |         |            |               |       |         |            |       |         |            |       |         |            |       |         |            |       |         |
| 6" / DN150  | 09583     | \$20.65    |            |             |           |            |   |               |            |   |                   |         |            |           |           |  |                 |        |            |           |         |         |           |         |            |               |       |         |            |       |         |            |       |         |            |       |         |            |       |         |
| 8" / DN200  | 09584     | \$20.65    |            |             |           |            |   |               |            |   |                   |         |            |           |           |  |                 |        |            |           |         |         |           |         |            |               |       |         |            |       |         |            |       |         |            |       |         |            |       |         |

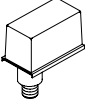

**Accessories for Electric Release Systems**

| SOLENOID VALVES (1/2" / DN15)   |  |               | IPG V29         |                   |
|---|--|---------------|-----------------|-------------------|
| <b>Normally Closed (rated to 250 psi (1724 kPa))</b>                                |  |               |                 |                   |
|    | <u>Deluge &amp; Preaction, SureFire</u>                  |               | <u>Part No.</u> | <u>List Price</u> |
|   | NEMA 1,2,3,3S,4,4X                                       | 24 VDC        | 11601           | \$609.12          |
|   | <u>Explosion Proof</u>                                   |               |                 |                   |
|   | NEMA 3,3S,4,4X,6,6P,7,9                                  | 24 VDC        | 11602           | \$1,018.00        |
| <b>Normally Closed (rated to 300 psi (2068 kPa))</b>                                |  |               |                 |                   |
|    | <u>Firecycle III, TotalPac &amp; Special Application</u> |               |                 |                   |
|   | NEMA 2,3,3S,4,4X   | 24 VDC        | 11591           | \$777.70          |
|   | NEMA 1,2,3,3S,4,4X                                       | 110 VAC/50 HZ | 11593           | \$661.78          |
|   | NEMA 1,2,3,3S,4,4X                                       | 120 VAC/60 HZ | 11593           | \$661.78          |
|   | <u>Explosion Proof</u>                                   |               |                 |                   |
|   | NEMA 3,3S,4,4X,6,6P,7,9                                  | 24 VDC        | 11592           | \$1,018.00        |
|   | NEMA 3,3S,4,4X,6,6P,7,9                                  | 110 VAC/50 HZ | 11594           | \$899.95          |
|   | NEMA 3,3S,4,4X,6,6P,7,9                                  | 120 VAC/60 HZ | 11594           | \$899.95          |
|   | ATEX, EEx, mll, T4/T5                                    | 110 VAC/50 HZ | 12359           | \$1,068.55        |
|   | ATEX, EEx, mll, T4/T5                                    | 24 VDC        | 12360           | \$1,186.57        |
|   | <u>ESFR Cold Storage System</u>                          | 3/4" / DN20   |                 |                   |
|   | NEMA 1,2,3,3S,4,4X                                       | 120 VAC       | 12955           | \$421.11          |
| NEMA 1,2,3,3S,4,4X  | 110VAC   | 13194         | \$876.09        |                   |
| NEMA 1,2,3,3S,4,4X  | 120VAC/60 HZ   | 13288         | \$392.67        |                   |
| <b>Normally Open</b>  |  |               |                 |                   |
|  | <u>Firecycle III</u>                                     |               |                 |                   |
|   | NEMA 2,3,3S,4,4X   | 24 VDC        | 11595           | \$1,294.07        |
|   | <u>Surefire &amp; TrimPac</u>                            |               |                 |                   |
|   | NEMA 2,3,3S,4,4X   | 24 VDC        | 13215           | \$1,294.07        |
|   | <u>Explosion Proof</u>                                   |               |                 |                   |
| NEMA 3,3S,4,4X,6,6P,7,9   | 24 VDC   | 11596         | \$1,804.11      |                   |
| ATEX, EEx, mll, T4/T5   | 24 VDC   | 12358         | \$1,972.68      |                   |

| RELEASE CONTROL PANEL (VFR-400)  |   |                   | IPG V27  |   |  |
|--|---|-------------------|--|---|--|
| <b>VFR-400 Release Control Panel</b>   |   |                   |  |   |  |
| <ul style="list-style-type: none"> <li>- Multi-hazard operation</li> <li>- Features on board, menu driven programming</li> <li>- Four Class B initiating circuits</li> <li>- Two Class B supervisory circuits**</li> <li>- Four Class B output circuits</li> <li>- Programmable cross zoning</li> <li>- 12 standard programs (program options for Viking preaction, deluge, Surefire® and Firecycle® systems)</li> </ul> <p>**Can be used for Supervisory, Tamper, Low Air or High Air</p> |  | <u>Part No.</u>   | <u>List Price</u>                                |   |  |
|  |   | 14152             | \$2,658.68                                       |   |  |
|  |   |                   | * see below for accessories and optional modules |   |  |
|  | <b>Optional Modules / Accessories</b>   |                   |  |   |  |
|  |   | <u>Part No.</u>   | <u>List Price</u>                                | <u>Batteries</u> (two required per panel) |  |
|  | CA2Z Module (class A initiating device circuit):                                    | 14155             | \$158.72   |   |  |
| CAM2 Module (class A indicating appliance circuit):  | 14156   | \$182.53          | <u>Part No.</u>                                  | <u>List Price</u>                         |  |
| ARM-1/ARM-2 Module (auxiliary relay module):   | 14157   | \$230.16          | 8 Amp  | 07920 \$144.79                            |  |
| RA-4410-RC (remote annunciator):   | 14154   | \$833.31          | 12 Amp   | 07921 \$293.80                            |  |
|  | <u>Part No.</u>   | <u>List Price</u> | 18 Amp   | 09867 \$533.22                            |  |
| MR-101/T SPDT Relay Module:  | 14159   | \$93.25           | <b>Battery Cabinet</b>                           |   |  |
| MR-201 DPDT Relay Module:  | 14160   | \$117.06          |  |   |  |
| MR801/T SPDT Relay w/Led Indicator:  | 14161   | \$49.60           | <u>Part No.</u>                                  | <u>List Price</u>                         |  |
| ELOD Resistor/Diode:   | 14162   | \$23.81           | 09866  | \$502.45                                  |  |
| ELOR Resistor:   | 14163   | \$1.98            |  |   |  |

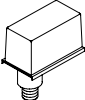

**Alarm Devices**

**Alarm Pressure Switch - IPG V25.1**

|   |        |          |   |        |            |
|---|--------|----------|---|--------|------------|
| <u>Adjustable Range (4-20 psi)</u>  |        |          | <u>Explosion Proof</u>  |        |            |
| <u>1/2" / DN50</u>  |        |          | Dual SPDT   | 10382  | \$1,020.11 |
| Single SPDT   | PS101A | \$145.62 | Dual SPDT   | 10381* | \$1,020.11 |
| Dual SPDT   | PS102A | \$173.21 | * Cenelec approved  |        |            |
| <u>Cover Access Key</u>   |        |          | <u>Pressure Adj Access Key</u>  |        |            |
|  | 09600  | \$13.27  |  | 10600  | \$17.71    |
| <u>Cover Tamper Switch Kit</u>  |        |          | <u>Cover Removal Key</u>  |        |            |
|   | 09601  | \$90.63  |   | 10601  | \$17.71    |

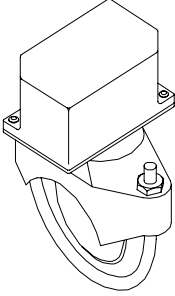
\* Appropriate hex keys included with switches.

**Pressure Supervisory Switch (Air, Nitrogen, Water) - IPG V25.1**



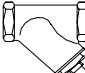
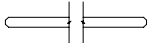
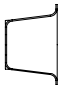
|   |        |          |   |        |            |
|---|--------|----------|---|--------|------------|
| <u>Adjustable Range (10-175 psi)</u>  |        |          | <u>Explosion Proof</u>  |        |            |
| <u>1/2" / DN50</u>  |        |          | Dual SPDT   | 10380  | \$1,167.61 |
| Single SPDT   | PS401A | \$136.73 | Dual SPDT   | 10379* | \$1,167.61 |
| Dual SPDT   | PS402A | \$162.64 | * Cenelec approved  |        |            |
| <u>Cover Access Key</u>   |        |          | <u>Pressure Adj Access Key</u>  |        |            |
|  | 09600  | \$12.52  |  | 10600  | \$17.71    |
| <u>Cover Tamper Switch Kit</u>  |        |          | <u>Cover Removal Key</u>  |        |            |
|   | 09601  | \$85.50  |   | 10601  | \$17.71    |

\* Appropriate hex keys included with switches.

**Flow Switch - SR010**

|   |          |          |  |
|---|----------|----------|--|
| <u>Waterflow Indicators</u>                                 |          |          |  |
| <i>(adjustable retard up to 120 sec. - 2 SPDT contacts)</i> |          |          |  |
| <u>Model VSR</u>  |          |          |  |
| 1 1/2" / DN40   | VSRF0150 | \$222.74 |  |
| 2" / DN50   | VSRF0200 | \$222.74 |  |
| 2 1/2" / DN65   | VSRF0250 | \$222.74 |  |
| 3" / DN80   | VSRF0300 | \$222.74 |  |
| 3 1/2" / DN90   | VSRF0350 | \$222.74 |  |
| 4" / DN100  | VSRF0400 | \$222.74 |  |
| 5" / DN125  | VSRF0500 | \$222.74 |  |
| 6" / DN150  | VSRF0600 | \$222.74 |  |
| 8" / DN200  | VSRF0800 | \$251.09 |  |
| 10" / DN250   | VSRF1000 | \$627.02 |  |

**Water Motor Alarm and Accessories - IPG V25.1**

|   |                  |   |                |
|---|------------------|---|----------------|
| <u>Water Motor Alarm</u>  |                  | <u>Closure Plate</u>  |                |
|  | <u>Model F-2</u> |  | 05820B \$82.19 |
|   | 07862 \$649.12   |   |                |
| <u>Adjustable Shaft</u>   |                  | <u>Alarm Line Y Strainer</u>  |                |
| <i>(wall thickness up to 30-1/4 in / 768 mm)</i>                                    |                  |  |                |
|  | 03312B \$78.86   | <u>3/4" (DN20)</u>  |                |
|   |                  | 01489A \$119.93   |                |
| <u>Extension Cup</u>  |                  |   |                |
|  | 05957B \$65.77   |   |                |

**Special Valves and Trim**

**HALAR® Coated Deluge / Preaction Valves (Model E-2/F-2)**

**Straight-Through (Model F-2)**

| IPG V25.4       | 1-1/2"                        | 2"                            | 2-1/2"                        | 3"                            | 4"                            | 6"                            | 8"                             |
|-----------------|-------------------------------|-------------------------------|-------------------------------|-------------------------------|-------------------------------|-------------------------------|--------------------------------|
| Thread X Thread | N/A                           | N/A                           | <u>12402Q/B</u><br>\$4,190.23 | N/A                           | N/A                           | N/A                           | N/A                            |
| Flange X Flange | N/A                           | N/A                           | N/A                           | <u>12015Q/B</u><br>\$4,190.23 | <u>11960Q/B</u><br>\$5,606.18 | <u>11962Q/B</u><br>\$7,501.91 | <u>11992Q/B</u><br>\$15,704.75 |
| Flange X Groove | N/A                           | N/A                           | N/A                           | <u>12019Q/B</u><br>\$4,190.23 | <u>11959Q/B</u><br>\$5,606.18 | <u>11961Q/B</u><br>\$7,501.91 | N/A                            |
| Groove X Groove | <u>12127Q/B</u><br>\$3,104.52 | <u>12058Q/B</u><br>\$3,112.96 | <u>12404Q/B</u><br>\$4,190.23 | <u>12023Q/B</u><br>\$4,190.23 | <u>11514Q/B</u><br>\$5,606.18 | <u>11525Q/B</u><br>\$7,501.91 | <u>11118Q/B</u><br>\$14,946.07 |

**Angle Style (Model E-2)**

| IPG V25.4       | 1-1/2"                        | 2"                            | 2-1/2" | 3"                            | 4"                            | 6"                            | 8"  |
|-----------------|-------------------------------|-------------------------------|--------|-------------------------------|-------------------------------|-------------------------------|-----|
| Thread X Thread | <u>09890Q/B</u><br>\$1,750.13 | <u>08361Q/B</u><br>\$3,171.69 | N/A    | N/A                           | N/A                           | N/A                           | N/A |
| Flange X Flange | N/A                           | N/A                           | N/A    | <u>08362Q/B</u><br>\$4,269.30 | <u>08363Q/B</u><br>\$5,553.30 | <u>08364Q/B</u><br>\$7,431.13 | N/A |
| Flange X Groove | N/A                           | N/A                           | N/A    | <u>11064Q/B</u><br>\$4,269.30 | <u>11065Q/B</u><br>\$5,711.96 | <u>11001Q/B</u><br>\$7,643.46 | N/A |

**HORIZONTAL TRIM - Conventional Deluge / Preaction Trim**

**Galvanized (use with straight through valves)**

| IPG V25.4A/C                                       | 1-1/2"                        | 2"                            | 2-1/2"                        | 3"                            | 4"                            | 6"                            | 8"                            |
|--|-------------------------------|-------------------------------|-------------------------------|-------------------------------|-------------------------------|-------------------------------|-------------------------------|
| Loose Trim<br><i>(incl. accessory pkg-09316)</i>   | <u>14635-1</u><br>\$2,205.04  | <u>14635-1</u><br>\$2,205.04  | <u>14637-1</u><br>\$2,157.92  | <u>14637-1</u><br>\$2,157.92  | <u>14638-1</u><br>\$2,258.04  | <u>14640-1</u><br>\$2,263.33  | <u>14643-1</u><br>\$3,278.54  |
| Modular Trim<br><i>(incl. accessory pkg-09316)</i> | <u>14635-1P</u><br>\$2,405.04 | <u>14635-1P</u><br>\$2,405.04 | <u>14637-1P</u><br>\$2,357.92 | <u>14637-1P</u><br>\$2,357.92 | <u>14638-1P</u><br>\$2,458.04 | <u>14640-1P</u><br>\$2,463.33 | <u>14643-1P</u><br>\$3,478.54 |

**BRASS TRIMS - Conventional Deluge / Preaction Trim**

**Angle Style Valves**

| IPG V25.4B   | 1-1/2"                        | 2"                            | 2-1/2" | 3"                            | 4"                            | 6"                            | 8"  |
|--|-------------------------------|-------------------------------|--------|-------------------------------|-------------------------------|-------------------------------|-----|
| Loose Trim<br><i>(incl. accessory pkg-09316)</i>   | <u>14629-2</u><br>\$3,615.13  | <u>14630-2</u><br>\$3,352.75  | N/A    | <u>14631-2</u><br>\$3,433.47  | <u>14632-2</u><br>\$3,668.71  | <u>14633-2</u><br>\$3,711.04  | N/A |
| Modular Trim<br><i>(incl. accessory pkg-09316)</i> | <u>14629-2P</u><br>\$3,815.13 | <u>14630-2P</u><br>\$3,552.75 | N/A    | <u>14631-2P</u><br>\$3,633.47 | <u>14632-2P</u><br>\$3,868.71 | <u>14633-2P</u><br>\$3,911.04 | N/A |

**Straight Through Valves - VERTICAL**

| IPG V25.4B   | 1-1/2"                        | 2"                            | 2-1/2"                        | 3"                            | 4"                            | 6"                            | 8"                            |
|--|-------------------------------|-------------------------------|-------------------------------|-------------------------------|-------------------------------|-------------------------------|-------------------------------|
| Loose Trim<br><i>(incl. accessory pkg-09316)</i>   | <u>14634-2</u><br>\$3,548.19  | <u>14634-2</u><br>\$3,548.19  | <u>14636-2</u><br>\$3,369.89  | <u>14636-2</u><br>\$3,369.89  | <u>14639-2</u><br>\$3,600.77  | <u>14641-2</u><br>\$3,642.32  | <u>14642-2</u><br>\$4,538.39  |
| Modular Trim<br><i>(incl. accessory pkg-09316)</i> | <u>14634-2P</u><br>\$3,748.19 | <u>14634-2P</u><br>\$3,748.19 | <u>14636-2P</u><br>\$3,569.89 | <u>14636-2P</u><br>\$3,569.89 | <u>14639-2P</u><br>\$3,800.77 | <u>14641-2P</u><br>\$3,842.32 | <u>14642-2P</u><br>\$4,738.39 |

**Straight Through Valves - HORIZONTAL**

| IPG V25.4B   | 1-1/2"                        | 2"                            | 2-1/2"                        | 3"                            | 4"                            | 6"                            | 8"                            |
|--|-------------------------------|-------------------------------|-------------------------------|-------------------------------|-------------------------------|-------------------------------|-------------------------------|
| Loose Trim<br><i>(incl. accessory pkg-09316)</i>   | <u>14635-2</u><br>\$3,548.19  | <u>14635-2</u><br>\$3,548.19  | <u>14637-2</u><br>\$3,369.89  | <u>14637-2</u><br>\$3,369.89  | <u>14638-2</u><br>\$3,600.77  | <u>14640-2</u><br>\$3,642.32  | <u>14643-2</u><br>\$4,538.39  |
| Modular Trim<br><i>(incl. accessory pkg-09316)</i> | <u>14635-2P</u><br>\$3,748.19 | <u>14635-2P</u><br>\$3,748.19 | <u>14637-2P</u><br>\$3,569.89 | <u>14637-2P</u><br>\$3,569.89 | <u>14638-2P</u><br>\$3,800.77 | <u>14640-2P</u><br>\$3,842.32 | <u>14643-2P</u><br>\$4,738.39 |

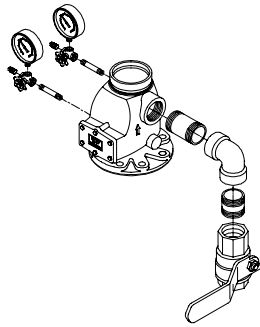
**Special Valves and Trim**

**DOMESTIC TRIM <sup>1</sup> - Model F - Galvanized**

**Straight Through Valves - VERTICAL**

| V25.4D            | 1-1/2"     | 2"         | 2-1/2"     | 3"         | 4"         | 6"         | 8"         |
|-------------------|------------|------------|------------|------------|------------|------------|------------|
| <b>Loose Trim</b> | 14634-1USA | 14634-1USA | 14636-1USA | 14636-1USA | 14639-1USA | 14641-1USA | 14642-1USA |
|                   | \$2,940.06 | \$2,940.06 | \$2,877.22 | \$2,877.22 | \$3,010.73 | \$3,017.78 | \$4,371.39 |

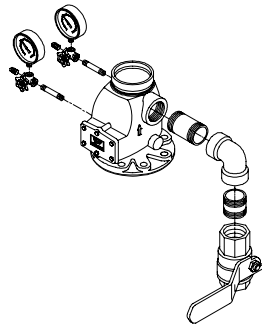
**DOMESTIC TRIM - Easy Riser® System**



\* 2-1/2 - 6 inch trim shown

| Size                 | Trim (loose) |          |
|----------------------|--------------|----------|
| IPG                  | V25.3A       |          |
| <b>Model K-1/L-1</b> |              |          |
| 1-1/2"               | 12960USA     | \$210.35 |
| 2"                   | 12960USA     | \$210.35 |
| <b>Model E-1/F-1</b> |              |          |
| 2-1/2"               | 13776USA     | \$526.94 |
| 3"                   | 13776USA     | \$526.94 |
| 4"                   | 13777USA     | \$405.59 |
| 6"                   | 13777USA     | \$405.59 |
| 8"                   | 13777USA     | \$405.59 |

**BRASS TRIM - Easy Riser® System**



\* 2-1/2 - 6 inch trim shown

| Size  | Trim (loose) |          | Trim (modular) |          |
|---|--------------|----------|----------------|----------|
| IPG   | V25.3A       |          | V25.3A         |          |
| <b>Model K-1/L-1 - In-Line Check Valve Trim</b> |              |          |                |          |
| 1-1/2"  | 12960-1      | \$248.94 | 12960-1P       | \$448.94 |
| 2"  | 12960-1      | \$248.94 | 12960-1P       | \$448.94 |
| <b>Model E-1/F-1 - Easy Riser Valve Trim</b>    |              |          |                |          |
| 2-1/2"  | 07236-1      | \$623.57 | 07236-1P       | \$823.57 |
| 3"  | 07236-1      | \$623.57 | 07236-1P       | \$823.57 |
| 4"  | 07237-1      | \$659.17 | 07237-1P       | \$859.17 |
| 6"  | 07237-1      | \$659.17 | 07237-1P       | \$859.17 |
| 8"  | 07237-1      | \$659.17 | 07237-1P       | \$859.17 |

**BRASS - SureFire® TrimPac®**

| Single Interlocked |            |
|--------------------|------------|
| V25.2A             |            |
| 13798D-1B          | \$6,380.37 |

| Double Interlocked |            |
|--------------------|------------|
| V25.2A             |            |
| 13799D-2B          | \$6,554.67 |

**BRASS - Releasing Trims**

|  | IPG | Pneumatic           | Electric Pneumatic   | Electric            | Pneumatic Pneumatic    | <b>DOMESTIC</b><br>Electric |
|--|-----|---------------------|----------------------|---------------------|------------------------|-----------------------------|
|  |     | V25.5B1             | V25.5B1              | V25.5B1             | V25.5B1                |                             |
| <b>Loose Trim</b><br><i>(releasing device not incl.)</i>   |     | 10811<br>\$167.53   | 12661-2<br>\$139.84  | 10832<br>\$188.51   | 12662-2<br>\$892.28    | 10832USA<br>\$251.35        |
| <b>Modular Trim</b><br><i>(releasing device not incl.)</i> |     | 10811-P<br>\$367.53 | 12661-2P<br>\$339.84 | 10832-P<br>\$388.51 | 12662-2P<br>\$1,092.28 | 10832USA-P<br>\$451.35      |

(1) Meets sourcing requirements of the Buy American Act, American Reinvestment and Recovery Act, and the Buy American Law. Contact customer service for availability.

