



**Section P**  
**Flow Control and Pressure Regulation**

<b>TABLE OF CONTENTS</b>
--------------------------

Flow Control System .....	P-1 – P-2
Pressure Regulation System .....	P-3
Alarm Devices.....	P-4
Pilot Operated Pressure Control Valves / Trim.....	P-5 – P-6
Special Valves and Trim (Halar® coated valves, brass trim, etc.) .....	P-7 – P-8

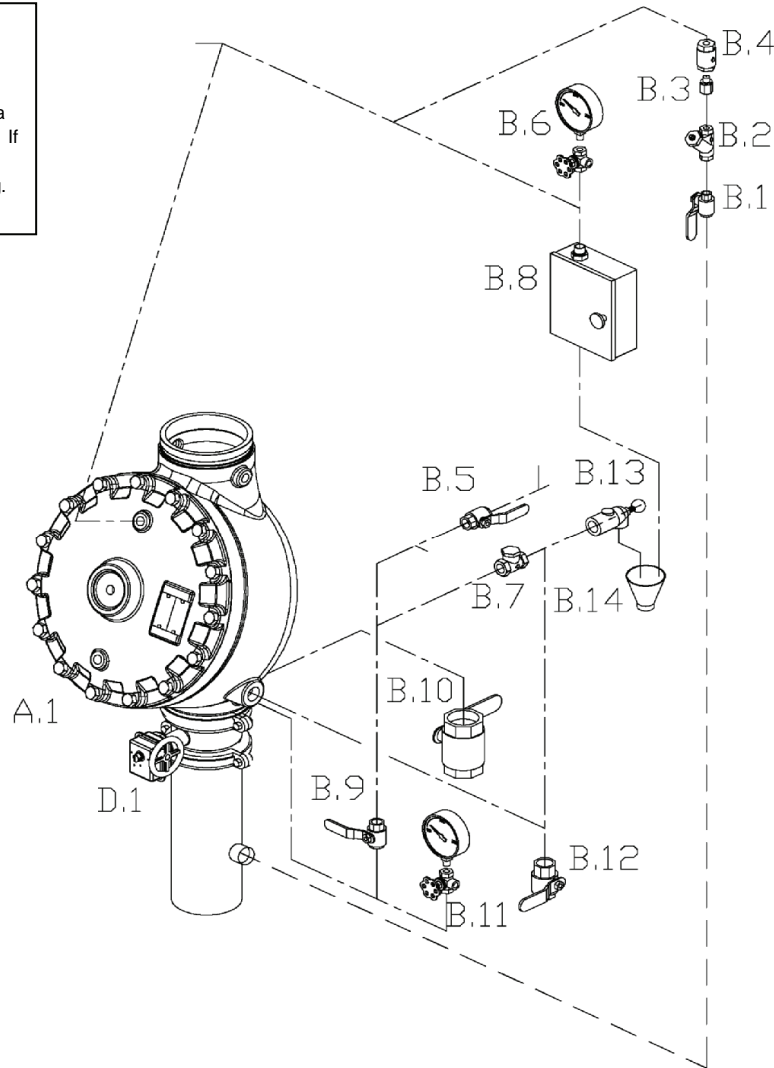
<b>Notes</b>
--------------

1. Refer to Viking technical data pages for complete product specifications. You may print or download technical data by visiting [www.vikinggroupinc.com](http://www.vikinggroupinc.com).
2. List prices effective May 3, 2010. Supersedes September 2008 list price book.
3. All sales by Viking are subject to the terms & conditions found on the last page of this book.

**Flow Control System**

Straight-through valve shown.  
Also available in angle-style configuration.

Trim dimensions shown on data pages are based on loose trim. If modular trim is ordered, please allow 6" max additional spacing. Modular trim is wrench tight.



**Model J Flow Control Valve\* - STRAIGHT THROUGH**

IPG 25.5	1-1/2"	2"	2-1/2"	3"	4"	6"	8"
Thread X Thread	<u>12130</u> \$2,470.89	<u>12063</u> #N/A	<u>12405</u> #N/A	N/A	N/A	N/A	N/A
Flange X Flange	N/A	N/A	N/A	<u>12016</u> \$3,233.11	<u>11968</u> \$4,074.03	<u>11970</u> \$5,439.76	<u>11993</u> \$11,719.55
Flange X Groove	N/A	N/A	N/A	<u>12020</u> \$3,233.11	<u>11967</u> \$4,074.03	<u>11969</u> \$5,439.76	N/A
Groove X Groove	<u>12129</u> \$2,470.89	<u>12061</u> \$2,550.24	<u>12407</u> \$3,233.11	<u>12024</u> \$3,233.11	<u>11516</u> \$4,074.03	<u>11527</u> \$5,439.76	<u>11019</u> \$10,273.17

**Model H Flow Control Valve\* - ANGLE STYLE**

IPG 25.5	1-1/2"	2"	3"	4"	6"
Thread X Thread	<u>09894</u> \$1,135.94	<u>05856C</u> \$2,598.36	N/A	N/A	N/A
Flange X Flange	N/A	N/A	<u>05914C</u> \$3,294.12	<u>05911C</u> \$4,150.89	<u>05908C</u> \$5,542.40
Flange X Groove	N/A	N/A	<u>05837C</u> \$3,294.12	<u>05841C</u> \$4,150.89	<u>05458C</u> \$5,542.40

See page P-7/8 for additional valve and trim options, including Halar® coated valves, horizontal trim, and brass trim packages.

\* Valve is not included in trim packages. Please order separately. See following page for trim packages and equipment.

**Flow Control System**

TrimPac® V25.2A	1-1/2"	2"	2-1/2"	3"	4"	6"	8"
Angle/Straight-Through (includes release / trim)	<u>12252C-1</u> \$3,064.76	<u>12252C-1</u> \$3,064.76	<u>12252C-1</u> \$3,064.76	<u>12252C-1</u> \$3,064.76	<u>12252C-1</u> \$3,064.76	<u>12252C-1</u> \$3,064.76	<u>12252C-1</u> \$3,064.76

TrimPac includes conventional trim, releasing device (pneumatic actuator), releasing trim, and flexible hose kit.

Drain package for TrimPac must be ordered separately (see below).

**Drain Package (IPG V25.4E)**

Use with TrimPac® (order separately)	<u>11894-1</u> \$343.91	<u>11894-2</u> \$278.17	<u>11894-3</u> \$315.25	<u>11894-3</u> \$315.25	<u>11894-4</u> \$404.60	<u>11894-4</u> \$404.60	<u>11894-4</u> \$404.60
---	----------------------------	----------------------------	----------------------------	----------------------------	----------------------------	----------------------------	----------------------------

1-1/2"	2"	2-1/2"	3"	4"	6"	8"
--------	----	--------	----	----	----	----

**Vertical Trim (Straight Through) - Galvanized (IPG V25.5A)**

Loose Trim (incl. accessory pkg-09316)	<u>12418-1</u> \$1,802.03	<u>12418-1</u> \$1,802.03	<u>12306-1</u> \$1,698.75	<u>12306-1</u> \$1,698.75	<u>11719-1</u> \$1,802.83	<u>11720-1</u> \$1,802.83	<u>14708-1</u> \$2,136.90
Modular Trim (incl. accessory pkg-09316)	<u>12418-1P</u> \$2,002.03	<u>12418-1P</u> \$2,002.03	<u>12306-1P</u> \$1,898.75	<u>12306-1P</u> \$1,898.75	<u>11719-1P</u> \$2,002.83	<u>11720-1P</u> \$2,002.83	<u>14708-1P</u> \$2,336.90

**Vertical Trim (Angle Style) - Galvanized (IPG V25.5A)**

Loose Trim (incl. accessory pkg-09316)	<u>14702-1</u> \$1,836.04	<u>14703-1</u> \$1,692.15	N/A	<u>14704-1</u> \$1,730.81	<u>14705-1</u> \$1,836.84	<u>14706-1</u> \$1,836.84	N/A
Modular Trim (incl. accessory pkg-09316)	<u>14702-1P</u> \$2,036.04	<u>14703-1P</u> \$1,892.15	N/A	<u>14704-1P</u> \$1,930.81	<u>14705-1P</u> \$2,036.84	<u>14706-1P</u> \$2,036.84	N/A

1-1/2"	2"	2-1/2"	3"	4"	6"	8"
--------	----	--------	----	----	----	----

**Releasing Devices (IPG V25.1)**

Solenoid Valve	<u>11601</u> \$609.12	<u>11601</u> \$609.12	<u>11601</u> \$609.12	<u>11601</u> \$609.12	<u>11601</u> \$609.12	<u>11601</u> \$609.12	<u>11601</u> \$609.12
----------------	--------------------------	--------------------------	--------------------------	--------------------------	--------------------------	--------------------------	--------------------------

**Releasing Trim - Galvanized (IPG V25.5B)**

Loose Trim (releasing device not incl.)	<u>10830</u> \$65.30	<u>10830</u> \$65.30	<u>10830</u> \$65.30	<u>10830</u> \$65.30	<u>10830</u> \$65.30	<u>10830</u> \$65.30	<u>10830</u> \$65.30
Modular Trim (releasing device not incl.)	<u>10830-P</u> \$284.82	<u>10830-P</u> \$284.82	<u>10830-P</u> \$284.82	<u>10830-P</u> \$284.82	<u>10830-P</u> \$284.82	<u>10830-P</u> \$284.82	<u>10830-P</u> \$284.82
Loose Trim - DOMESTIC (releasing device not incl.)	<u>10830USA</u> \$87.06	<u>10830USA</u> \$87.06	<u>10830USA</u> \$87.06	<u>10830USA</u> \$87.06	<u>10830USA</u> \$87.06	<u>10830USA</u> \$87.06	<u>10830USA</u> \$87.06

Trim packages include flow control accessory package listed below (p/n 10685) - see package detail below

See page P-7/8 for additional valve and trim options, including Halar® coated valves, horizontal trim, and brass trim packages.

<b>Flow Control Valve Accessory Package</b>		
<b>(INCLUDED WITH TRIM)</b>		
(all sizes)	10685	\$1,431.06
corrosion resistant	09743	\$1,995.94
Includes:		
- 1/8" Restricted Orifice		
- Emergency Release		
- Drip Check		
- 1/4" / 8mm Check Valve		
- 1/4" / 8mm Strainer		
- Drain Cup		
- 1/2" Ball Valve		
- Drain Check		
IPG V25.1		

<b>TrimPac® - Air Line Trim</b>		
<i>(not for use with Deluge TrimPac System)</i>		
Tank Mounted	13770	\$1,194.79
Tankless	13771	\$421.25
IPG V25.2A		
<b>TrimPac® - Replacement Hose</b>		
Flexible braided hose	11895	\$224.20
<i>(5' length, stainless steel / Teflon®)</i>		
PVC drain hose	12071	\$95.16
IPG V25.2A		
<b>TrimPac® - Riser Mounting Kit</b>		
<i>(use when mounting TrimPac unit to riser)</i>		
Vertical	11900	\$660.81
Horizontal	11901	\$908.65
IPG V25.2A		

**Pressure Regulation**

Viking's new pressure regulation trim packages include both conventional trim (deluge or flow control) and pilot regulator trim, as well as the speed control assembly and pilot pressure regulating valve. Pilot regulator trim is no longer available separately. To order a complete pressure regulation system, first order a deluge or flow control valve, then the appropriate pressure regulation trim listed below, and finally your desired releasing device and trim.

**Pressure Regulating Trim for DELUGE/PREACTION SYSTEMS (includes conventional trim)**

	1-1/2"	2"	2-1/2"	3"	4"	6"	8"
--	--------	----	--------	----	----	----	----

**For Straight Through Valves - Vertical/Galvanized Trim (IPG V25.5B)**

<b>Loose Trim</b>	<u>14746-1</u> \$4,035.81	<u>14746-1</u> \$4,035.81	<u>14747-1</u> \$4,077.54	<u>14747-1</u> \$4,077.54	<u>14748-1</u> \$4,264.97	<u>14749-1</u> \$4,257.99	<u>14713-1</u> \$4,264.01
<b>Modular Trim</b>	<u>14746-1P</u> \$4,235.81	<u>14746-1P</u> \$4,235.81	<u>14747-1P</u> \$4,277.54	<u>14747-1P</u> \$4,277.54	<u>14748-1P</u> \$4,464.97	<u>14749-1P</u> \$4,457.99	<u>14713-1P</u> \$4,464.01

**For Angle Style Valves - Vertical/Galvanized Trim (IPG V25.5B)**

<b>Loose Trim</b>	N/A	<u>14715-1</u> \$4,125.70	N/A	<u>14716-1</u> \$4,139.18	<u>14717-1</u> \$4,282.94	<u>14718-1</u> \$4,295.41	N/A
<b>Modular Trim</b>	N/A	<u>14715-1P</u> \$4,325.70	N/A	<u>14716-1P</u> \$4,339.18	<u>14717-1P</u> \$4,482.94	<u>14718-1P</u> \$4,495.41	N/A

**Pressure Regulating Trim for FLOW CONTROL SYSTEMS (includes conventional trim)**

	1-1/2"	2"	2-1/2"	3"	4"	6"	8"
--	--------	----	--------	----	----	----	----

**For Straight Through Valves - Vertical/Galvanized Trim (IPG V25.5B)**

<b>Loose Trim</b>	<u>14768-1</u> \$4,035.81	<u>14768-1</u> \$4,035.81	<u>14769-1</u> \$4,077.54	<u>14769-1</u> \$4,077.54	<u>14770-1</u> \$4,264.97	<u>14771-1</u> \$4,257.99	<u>14772-1</u> \$4,264.01
<b>Modular Trim</b>	<u>14768-1P</u> \$4,235.81	<u>14768-1P</u> \$4,235.81	<u>14769-1P</u> \$4,277.54	<u>14769-1P</u> \$4,277.54	<u>14770-1P</u> \$4,464.97	<u>14771-1P</u> \$4,457.99	<u>14772-1P</u> \$4,464.01

**For Angle Style Valves - Vertical/Galvanized Trim (IPG V25.5B)**

<b>Loose Trim</b>	N/A	<u>14764-1</u> \$4,125.70	N/A	<u>14765-1</u> \$4,139.18	<u>14766-1</u> \$4,264.97	<u>14767-1</u> \$4,295.41	N/A
<b>Modular Trim</b>	N/A	<u>14764-1P</u> \$4,325.70	N/A	<u>14765-1P</u> \$4,339.18	<u>14766-1P</u> \$4,464.97	<u>14767-1P</u> \$4,495.41	N/A

	1-1/2"	2"	2-1/2"	3"	4"	6"	8"
--	--------	----	--------	----	----	----	----

**Releasing Devices (IPG V29)**

<b>Solenoid Valve</b>	<u>11601</u> \$609.12	<u>11601</u> \$609.12	<u>11601</u> \$609.12	<u>11601</u> \$609.12	<u>11601</u> \$609.12	<u>11601</u> \$609.12	<u>11601</u> \$609.12
-----------------------	--------------------------	--------------------------	--------------------------	--------------------------	--------------------------	--------------------------	--------------------------

**Releasing Trim - Galvanized (IPG V25.5B)**

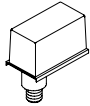
<b>Loose Trim</b> (releasing device not incl.)	<u>10830</u> \$65.30	<u>10830</u> \$65.30	<u>10830</u> \$65.30	<u>10830</u> \$65.30	<u>10830</u> \$65.30	<u>10830</u> \$65.30	<u>10830</u> \$65.30
<b>Modular Trim</b> (releasing device not incl.)	<u>10830-P</u> \$284.82	<u>10830-P</u> \$284.82	<u>10830-P</u> \$284.82	<u>10830-P</u> \$284.82	<u>10830-P</u> \$284.82	<u>10830-P</u> \$284.82	<u>10830-P</u> \$284.82

<b>Speed Control Assembly</b> use with conventional trim		IPG V25.5	<b>Pilot Pressure Regulating Valve (C-2)</b>		<b>Speed Control Valve</b>	
	Galvanized	08780	\$1,033.38	 10799	\$1,089.51	08313 \$254.09
	Stainless Steel	11192	\$6,080.89		IPG V25.1	IPG V25
	Brass	11181	\$1,217.55	<b>Pressure Relief Valve</b> 1/2" / 15mm	13310	\$349.30
						01054A \$79.54
					IPG V25.1	IPG V25.1

See page P-7/8 for additional valve and trim options, including Halar® coated valves, horizontal trim, and brass trim packages.

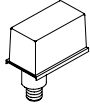
### Alarm Devices

#### Alarm Pressure Switch - IPG V25.1

<u>Adjustable Range (4-20 psi)</u>			<u>Explosion Proof</u>			
<u>1/2" / DN50</u>			Dual SPDT	10382	\$1,020.11	
Single SPDT	PS101A	\$145.62	Dual SPDT	10381*	\$1,020.11	
Dual SPDT	PS102A	\$173.21	* Cenelec approved			
	<u>Cover Access Key</u>		<u>Pressure Adj Access Key</u>			
		09600	\$13.27		10600	\$17.71
	<u>Cover Tamper Switch Kit</u>			<u>Cover Removal Key</u>		
		09601	\$90.63		10601	\$17.71

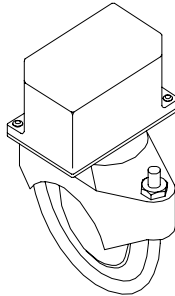
\* Appropriate hex keys included with switches.

#### Pressure Supervisory Switch (Air, Nitrogen, Water) - IPG V25.1



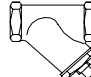

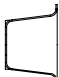
<u>Adjustable Range (10-175 psi)</u>			<u>Explosion Proof</u>			
<u>1/2" / DN50</u>			Dual SPDT	10380	\$1,167.61	
Single SPDT	PS401A	\$136.73	Dual SPDT	10379*	\$1,167.61	
Dual SPDT	PS402A	\$162.64	* Cenelec approved			
	<u>Cover Access Key</u>		<u>Pressure Adj Access Key</u>			
		09600	\$12.52		10600	\$17.71
	<u>Cover Tamper Switch Kit</u>			<u>Cover Removal Key</u>		
		09601	\$85.50		10601	\$17.71

\* Appropriate hex keys included with switches.

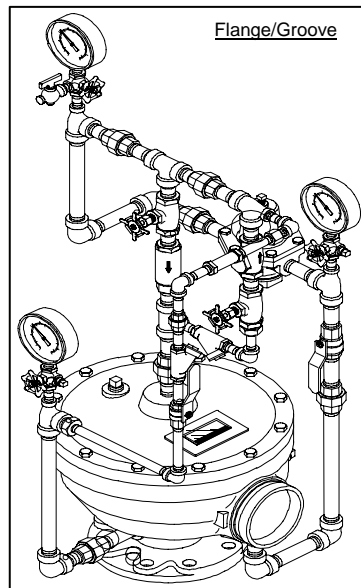
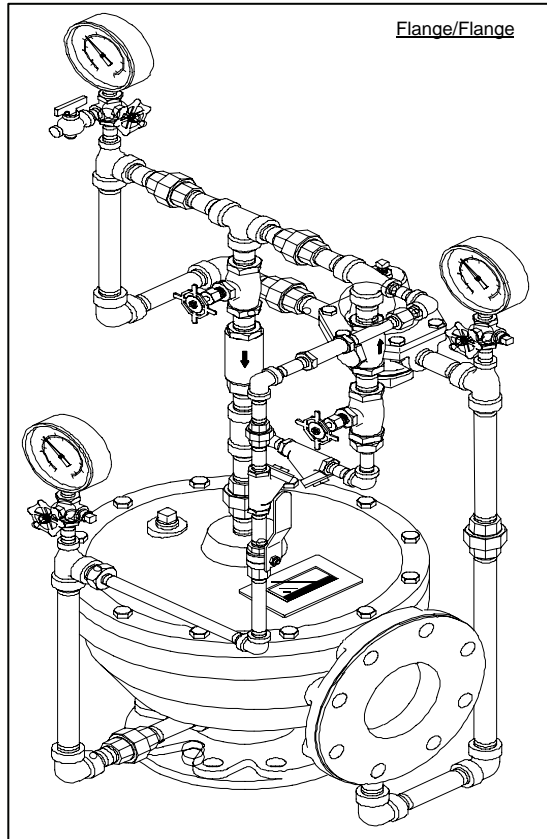
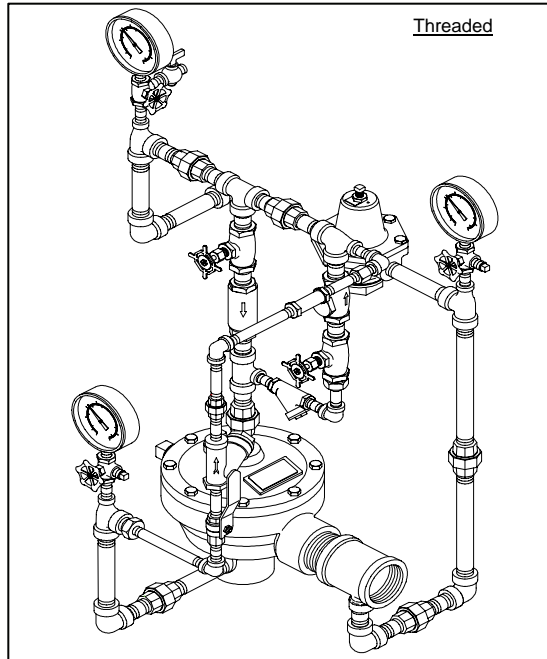
#### Flow Switch - SR010

<u>Waterflow Indicators</u>			
(adjustable retard up to 120 sec. - 2 SPDT contacts)			
<u>Model VSR</u>			
1 1/2" / DN40	VSRF0150	\$222.74	
2" / DN50	VSRF0200	\$222.74	
2 1/2" / DN65	VSRF0250	\$222.74	
3" / DN80	VSRF0300	\$222.74	
3 1/2" / DN90	VSRF0350	\$222.74	
4" / DN100	VSRF0400	\$222.74	
5" / DN125	VSRF0500	\$222.74	
6" / DN150	VSRF0600	\$222.74	
8" / DN200	VSRF0800	\$251.09	
10" / DN250	VSRF1000	\$627.02	

#### Water Motor Alarm and Accessories - IPG V25.1

<u>Water Motor Alarm</u>		<u>Closure Plate</u>	
	<u>Model F-2</u>		05820B
	07862	\$649.12	\$82.19
<u>Adjustable Shaft</u>		<u>Alarm Line Y Strainer</u>	
(wall thickness up to 30-1/4 in / 768 mm)			<u>3/4" (DN20)</u>
	03312B	\$78.86	01489A
<u>Extension Cup</u>			
	05957B	\$65.77	

**Pilot Operated Pressure Control Valves**



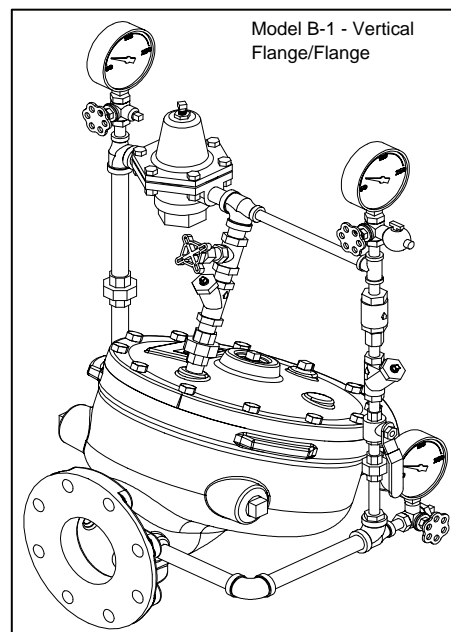
DESCRIPTION	NOMINAL SIZE	PART NUMBER	LIST PRICE (each)
<b>PILOT OPERATED PRESSURE CONTROL VALVES</b> Includes Trim	Use with Angle Style Valve		
	Model A-2 Galvanized		
	Model A-3 Brass		
	Model A-4 Stainless Steel		
<b>Threaded</b>	<b>Model A-2</b> 2" / DN50	10793	7,544.67
	<b>Model A-3</b> 2" / DN50	10798	13,099.06
	<b>Model A-4</b> 2" / DN50	11559	18,991.94
	<b>Flange/Flange</b>		
<b>Flange/Flange</b>	<b>Model A-2</b> 3" / DN80	10801 <sup>1</sup>	6,949.78
	4" / DN100	10795	7,544.67
	6" / DN150	10807	8,900.47
	PN10/16 DN80	10801FFPN1016	6,949.77
	PN10/16 DN100	10795FFPN1016	7,544.67
	PN10/16 DN150	10807FFPN1016	8,900.47
	<b>Model A-3</b> 4" / DN100	10803	15,086.31
	6" / DN150	11476	18,080.30
	PN10/16 DN100	10803FFPN1016	15,086.31
	PN10/16 DN150	11476FFPN1016	18,080.30
	<b>Model A-4</b> 4" / DN100	10805	20,968.91
	6" / DN150	11478	24,242.43
PN10/16 DN100	10805FFPN1016	20,968.91	
PN10/16 DN150	11478FFPN1016	24,242.43	
<b>Flange/Groove</b>	<b>Model A-2</b> 3" / DN80	10800 <sup>1</sup>	6,949.77
	4" / DN100	10794	7,544.67
	6" / DN150	10806	8,900.47
	<b>Model A-3</b> 4" / DN100	10802	14,954.47
	6" / DN150	11475	17,944.21
	<b>Model A-4</b> 4" / DN100	10804	20,844.11
	6" / DN150	11477	24,113.61
	V25.5		

<sup>1</sup> Not UL Listed. Use for Deluge Applications Only.

**Pilot Operated Pressure Control Valves**

DESCRIPTION	Nominal Size	Part No.	List Price
<b>Pilot Operated Pressure Control Valves</b>	Use with Straight Through Valves		
Includes trim UL Listed/FM Approved			
<b>Model B-1</b>			
Vertical	Galvanized		
<b>Threaded</b>	1½" / DN40	12791	3,474.66
	2" / DN50	12793	3,519.17
	2½" / DN65	12795	5,068.04
<b>Flange/Flange</b>	3" / DN80	12799	5,193.93
	4" / DN100	12802	7,955.26
	6" / DN150	12805	10,228.11
	8" / DN200	12807	12,831.11
<b>Flange/Groove</b>	3" / DN80	12798	5,136.66
	4" / DN100	12801	7,938.91
	6" / DN150	12804	10,126.98
<b>Groove/Groove</b>	1½" / DN40	12792	3,474.66
	2" / DN50	12794	3,519.17
	2½" / DN65	12796	5,068.04
	3" / DN80	12797	5,065.62
	4" / DN100	12800	5,108.61
	6" / DN150	12803	10,065.51
V25.5B	8" / DN200	12806	12,263.04
Horizontal	Galvanized		
<b>Threaded</b>	1½" / DN40	12774	3,467.50
	2" / DN50	12776	3,512.02
	2½" / DN65	12778	5,039.48
<b>Flange/Flange</b>	3" / DN80	12782	5,193.93
	4" / DN100	12785	4,610.14
	6" / DN150	12788	10,230.03
	8" / DN200	12790	12,833.94
<b>Flange/Groove</b>	3" / DN80	12781	5,136.66
	4" / DN100	12784	4,869.01
	6" / DN150	12787	10,128.90
<b>Groove/Groove</b>	1½" / DN40	12775	3,467.50
	2" / DN50	12777	3,512.02
	2½" / DN65	12779	5,039.48
	3" / DN80	12780	5,065.62
	4" / DN100	12783	5,120.52
	6" / DN150	12786	10,067.41
V25.5B	8" / DN200	12789	12,265.89

DESCRIPTION	Nominal Size	Part No.	List Price
<b>Pilot Operated Pressure Control Valves</b>	Use with Straight Through Valves		
Halar Coated (includes trim) UL Listed/FM Approved			
<b>Model B-3</b>			
Horizontal	Brass		
<b>Flange/Flange</b>	3" / DN80	13523	15,360.56
	4" / DN100	13526	14,447.62
	6" / DN150	13529	30,876.60
	8" / DN200	13531	38,605.48
<b>Flange/Groove</b>	3" / DN80	13522	15,191.10
	4" / DN100	13525	14,399.28
	6" / DN150	13528	30,577.43
<b>Groove/Groove</b>	1½" / DN40	13518	10,274.07
	2" / DN50	13519	10,405.76
	2½" / DN65	13520	14,903.60
	3" / DN80	13521	14,980.92
	4" / DN100	13524	15,143.37
	6" / DN150	13527	30,395.57
V25.5B1	8" / DN200	13530	36,924.87
Vertical	Brass		
<b>Flange/Flange</b>	3" / DN80	13537	15,360.56
	4" / DN100	13540	24,013.01
	6" / DN150	13543	30,796.41
	8" / DN200	13545	38,411.10
<b>Flange/Groove</b>	3" / DN80	13536	15,191.10
	4" / DN100	13539	23,964.67
	6" / DN150	13542	30,497.24
<b>Groove/Groove</b>	1½" / DN40	13532	10,252.98
	2" / DN50	13533	10,384.62
	2½" / DN65	13534	14,988.10
	3" / DN80	13535	14,980.92
	4" / DN100	13538	24,708.77
	6" / DN150	13541	30,315.36
V25.5B1	8" / DN200	13544	36,730.53



**FLOW CONTROL - Special Valves and Trim**

**HALAR® Coated Flow Control Valves (Model J-2/H-2)**

**Straight-Through (Model J-2)**

IPG V25.5	1-1/2"	2"	2-1/2"	3"	4"	6"	8"
Thread X Thread	N/A	N/A	<u>12406Q/B</u> \$4,890.73	N/A	N/A	N/A	N/A
Flange X Flange	N/A	N/A	N/A	<u>12017Q/B</u> \$4,890.73	<u>11977Q/B</u> \$6,065.88	<u>11979Q/B</u> \$8,079.04	<u>11994Q/B</u> \$15,986.28
Flange X Groove	N/A	N/A	N/A	<u>12021Q/B</u> \$4,890.73	<u>11976Q/B</u> \$6,065.88	<u>11978Q/B</u> \$8,079.04	N/A
Groove X Groove	<u>12131Q/B</u> \$3,835.38	<u>12062Q/B</u> \$3,845.76	<u>12408Q/B</u> \$4,890.73	<u>12025Q/B</u> \$4,890.73	<u>11517Q/B</u> \$6,065.88	<u>11528Q/B</u> \$8,079.04	<u>11119Q/B</u> \$15,568.32

**Angle Style (Model H-2)**

IPG V25.5	1-1/2"	2"	2-1/2"	3"	4"	6"	8"
Thread X Thread	<u>09895Q/B</u> \$2,070.28	<u>08365Q/B</u> \$3,918.32	N/A	N/A	N/A	N/A	N/A
Flange X Flange	N/A	N/A	N/A	<u>08366Q/B</u> \$4,983.02	<u>08367Q/B</u> \$6,180.34	<u>08368Q/B</u> \$8,231.47	N/A
Flange X Groove	N/A	N/A	N/A	<u>11207Q/B</u> \$4,983.02	<u>11208Q/B</u> \$6,180.34	<u>11209Q/B</u> \$8,231.47	N/A

**HORIZONTAL TRIM - Flow Control**

**Galvanized (use with straight through valves)**

IPG V25.5A	1-1/2"	2"	2-1/2"	3"	4"	6"	8"
<u>Loose Trim</u> <i>(incl. accessory pkg-09316)</i>	<u>12419-1</u> \$1,802.03	<u>12419-1</u> \$1,802.03	<u>12307-1</u> \$1,698.75	<u>12307-1</u> \$1,698.75	<u>11941-1</u> \$1,802.83	<u>11942-1</u> \$1,802.83	<u>14707-1</u> \$2,136.90
<u>Modular Trim</u> <i>(incl. accessory pkg-09316)</i>	<u>12419-1P</u> \$2,002.03	<u>12419-1P</u> \$2,002.03	<u>12307-1P</u> \$1,898.75	<u>12307-1P</u> \$1,898.75	<u>11941-1P</u> \$2,002.83	<u>11942-1P</u> \$2,002.83	<u>14707-1P</u> \$2,336.90

**BRASS TRIMS - Flow Control**

**Angle Style Valves**

IPG V25.5A1	1-1/2"	2"	2-1/2"	3"	4"	6"	8"
<u>Loose Trim</u> <i>(incl. accessory pkg-09316)</i>	<u>14702-2</u> \$2,787.98	<u>14703-2</u> \$2,598.21	N/A	<u>14704-2</u> \$2,668.63	<u>14705-2</u> \$2,920.55	<u>14706-2</u> \$2,952.31	N/A
<u>Modular Trim</u> <i>(incl. accessory pkg-09316)</i>	<u>14702-2P</u> \$2,987.98	<u>14703-2P</u> \$2,798.21	N/A	<u>14704-2P</u> \$2,868.63	<u>14705-2P</u> \$3,120.55	<u>14706-2P</u> \$3,152.31	N/A

**Straight Through Valves - VERTICAL**

IPG V25.5A1	1-1/2"	2"	2-1/2"	3"	4"	6"	8"
<u>Loose Trim</u> <i>(incl. accessory pkg-09316)</i>	<u>12418-2</u> \$2,736.36	<u>12418-2</u> \$2,736.36	<u>12306-2</u> \$2,619.22	<u>12306-2</u> \$2,619.22	<u>11719-2</u> \$2,866.46	<u>11720-2</u> \$2,897.64	<u>14708-2</u> \$3,515.64
<u>Modular Trim</u> <i>(incl. accessory pkg-09316)</i>	<u>12418-2P</u> \$2,936.36	<u>12418-2P</u> \$2,936.36	<u>12306-2P</u> \$2,819.22	<u>12306-2P</u> \$2,819.22	<u>11719-2P</u> \$3,066.46	<u>11720-2P</u> \$3,097.64	<u>14708-2P</u> \$3,715.64

**Straight Through Valves - HORIZONTAL**

IPG V25.5A1	1-1/2"	2"	2-1/2"	3"	4"	6"	8"
<u>Loose Trim</u> <i>(incl. accessory pkg-09316)</i>	<u>12419-2</u> \$2,736.36	<u>12419-2</u> \$2,736.36	<u>12307-2</u> \$2,619.22	<u>12307-2</u> \$2,619.22	<u>11941-2</u> \$2,866.46	<u>11942-2</u> \$2,897.64	<u>14707-2</u> \$3,515.64
<u>Modular Trim</u> <i>(incl. accessory pkg-09316)</i>	<u>12419-2P</u> \$2,936.36	<u>12419-2P</u> \$2,936.36	<u>12307-2P</u> \$2,819.22	<u>12307-2P</u> \$2,819.22	<u>11941-2P</u> \$3,066.46	<u>11942-2P</u> \$3,097.64	<u>14707-2P</u> \$3,715.64

**PRESSURE REGULATION - Special Trims**

Viking's new pressure regulation trim packages include both conventional trim (deluge or flow control) and pilot regulator trim, as well as the speed control assembly and pilot pressure regulating valve. Pilot regulator trim is no longer available separately. To order a complete pressure regulation system, first order a deluge or flow control valve, then the appropriate pressure regulation trim listed below, and finally your desired releasing device and trim.

**HORIZONTAL TRIM - Pressure Regulating Trim for DELUGE/PREACTION SYSTEMS (includes conventional trim)**

	1-1/2"	2"	2-1/2"	3"	4"	6"	8"
--	--------	----	--------	----	----	----	----

**For Straight Through Valves - Horizontal/Galvanized Trim** (IPG V25.4A)

Loose Trim	<u>14750-1</u> \$4,026.75	<u>14750-1</u> \$4,026.75	<u>14751-1</u> \$4,074.87	<u>14751-1</u> \$4,074.87	<u>14752-1</u> \$4,232.30	<u>14753-1</u> \$4,199.75	<u>14714-1</u> \$4,252.73
Modular Trim	<u>14750-1P</u> \$4,226.75	<u>14750-1P</u> \$4,226.75	<u>14751-1P</u> \$4,274.87	<u>14751-1P</u> \$4,274.87	<u>14752-1P</u> \$4,432.30	<u>14753-1P</u> \$4,399.75	<u>14714-1P</u> \$4,452.73

**BRASS TRIMS - Pressure Regulating Trim for DELUGE/PREACTION SYSTEMS (includes conventional trim)**

	1-1/2"	2"	2-1/2"	3"	4"	6"	8"
--	--------	----	--------	----	----	----	----

**For Straight Through Valves - Vertical/Brass Trim** (IPG V25.4B)

Loose Trim	<u>14746-2</u> \$4,791.50	<u>14746-2</u> \$4,791.50	<u>14747-2</u> \$4,934.87	<u>14747-2</u> \$4,934.87	<u>14748-2</u> \$5,289.90	<u>14749-2</u> \$5,263.53	<u>14713-2</u> \$5,263.09
Modular Trim	<u>14746-2P</u> \$4,991.50	<u>14746-2P</u> \$4,991.50	<u>14747-2P</u> \$5,134.87	<u>14747-2P</u> \$5,134.87	<u>14748-2P</u> \$5,489.90	<u>14749-2P</u> \$5,463.53	<u>14713-2P</u> \$5,463.09

**For Angle Style Valves - Vertical/Brass Trim** (IPG V25.4B)

Loose Trim	N/A	<u>14715-2</u> \$4,961.03	N/A	<u>14716-2</u> \$4,943.83	<u>14717-2</u> \$5,252.30	<u>14718-2</u> \$5,318.77	N/A
Modular Trim	N/A	<u>14715-2P</u> \$5,161.03	N/A	<u>14716-2P</u> \$5,143.83	<u>14717-2P</u> \$5,452.30	<u>14718-2P</u> \$5,518.77	N/A

**BRASS TRIMS - Pressure Regulating Trim for FLOW CONTROL SYSTEMS (includes conventional trim)**

	1-1/2"	2"	2-1/2"	3"	4"	6"	8"
--	--------	----	--------	----	----	----	----

**For Straight Through Valves - Vertical/Brass Trim** (IPG V25.5B1)

Loose Trim	<u>14768-2</u> \$4,791.50	<u>14768-2</u> \$4,791.50	<u>14769-2</u> \$4,934.87	<u>14769-2</u> \$4,934.87	<u>14770-2</u> \$5,289.90	<u>14771-2</u> \$5,263.53	<u>14772-2</u> \$5,263.09
Modular Trim	<u>14768-2P</u> \$4,991.50	<u>14768-2P</u> \$4,991.50	<u>14769-2P</u> \$5,134.87	<u>14769-2P</u> \$5,134.87	<u>14770-2P</u> \$5,489.90	<u>14771-2P</u> \$5,463.53	<u>14772-2P</u> \$5,463.09

**For Angle Style Valves - Vertical/Brass Trim** (IPG V25.5B1)

Loose Trim	N/A	<u>14764-2</u> \$4,961.03	N/A	<u>14765-2</u> \$4,943.83	<u>14766-2</u> \$5,252.30	<u>14767-2</u> \$5,318.77	N/A
Modular Trim	N/A	<u>14764-2P</u> \$5,161.03	N/A	<u>14765-2P</u> \$5,143.83	<u>14766-2P</u> \$5,452.30	<u>14767-2P</u> \$5,518.77	N/A

**DOMESTIC<sup>1</sup> BRASS TRIMS - Pressure Regulating Trim for FLOW CONTROL SYSTEMS (includes conventional trim)**

	1-1/2"	2"	2-1/2"	3"	4"	6"	8"
--	--------	----	--------	----	----	----	----

**For Straight Through Valves - Vertical/Brass Trim** (IPG V25.5B1)

Loose Trim	N/A	N/A	N/A	N/A	<u>14770-2USA</u> \$7,053.20	<u>14771-2USA</u> \$7,018.04	<u>14772-2USA</u> \$7,017.45
------------	-----	-----	-----	-----	---------------------------------	---------------------------------	---------------------------------

(1) Meets sourcing requirements of the Buy American Act, American Reinvestment and Recovery Act, and the Buy American Law. Contact customer service for availability.

