



TECHNICAL DATA

FREEDOM® RESIDENTIAL PENDENT SPRINKLER VK430 (K4.3)

The Viking Corporation, 210 N Industrial Park Drive, Hastings MI 49058

Telephone: 269-945-9501 Technical Services 877-384-5464 Fax: 269-818-1680 Email: techsvcs@vikingcorp.com

1. DESCRIPTION

Viking Freedom® Residential Pendent Sprinkler VK430 is a thermosensitive, glass-bulb residential sprinkler available in several different finishes and temperature ratings to meet varying design requirements. The orifice design, with a K-Factor of 4.3 (62 metric*), allows efficient use of available water supplies for the hydraulically designed fire-protection system. The fast response type glass bulb and special deflector combine speed of operation and area of coverage to meet residential sprinkler standards while being aesthetically pleasing.



2. LISTINGS AND APPROVALS

cULus Listed: Category VKKW

NYC Approved: MEA 89-92-E, Volume 24

Refer to the Approval Chart on page 141q and Design Criteria on page 141s for cULus Listing requirements that must be followed.

3. TECHNICAL DATA

Specifications:

Minimum Operating Pressure: Refer to the Approval Chart.

Maximum Working Pressure: 175 psi (12 bar). Factory tested hydrostatically to 500 psi (34.5 bar).

Testing: U.S.A. Patent No. 4,831,870

Thread size: 1/2" (15 mm) NPT

Nominal K-Factor: 4.3 U.S. (62 metric*)

*Metric K-factor measurement shown is for when pressure is measured in Bar. When pressure is measured in kPa, divide the metric K-factor shown by 10.0.

Glass-bulb fluid temperature rated to -65 °F (-55 °C)

Overall Length: 2-1/4" (58 mm)

Viking Technical Data may be found on
The Viking Corporation's Web site at
<http://www.vikinggroupinc.com>.
The Web site may include a more recent
edition of this Technical Data Page.

Material Standards:

Frame Casting: Brass UNS-C84400

Deflector: Brass UNS-C26000

Bulb: Glass, nominal 3 mm diameter

Belleville Spring Sealing Assembly: Nickel Alloy, coated on both sides with Teflon Tape

Compression Screw: Brass UNS-C36000

Pip Cap and Insert Assembly: Copper UNS-C11000 and Stainless Steel UNS-S30400

Ordering Information: (Also refer to the current [Viking price list](#).)

Sprinkler: Base Part No. 09530

Order Sprinkler VK430 by first adding the appropriate suffix for the sprinkler finish and then the appropriate suffix for the temperature rating to the sprinkler base part number.

Finish Suffix: Brass = A, Chrome-Enloy® = F, White Polyester = M-/W, and Black Polyester = M-/B

Temperature Suffix (°F/°C): 155°/68° = B, 175°/79° = D

For example, sprinkler VK430 with a Brass finish and a 155 °F/68 °C temperature rating = Part No. 09530AB.

Available Finishes And Temperature Ratings:

Refer to Table 1

Accessories: (Also refer to the "Sprinkler Accessories" section of the Viking data book.)

Sprinkler Wrenches:

A. Standard Wrench: Part No. 10896W/B (available since 2000)

B. Wrench for coated and/or recessed sprinklers: Part No. 12144W/B** (available since 2003)

NOTE: RECESSED PENDENT SPRINKLERS WITH PROTECTIVE CAPS MUST USE WRENCH 12144W/B.

**A 1/2" ratchet is required (not available from Viking).



TECHNICAL DATA

FREEDOM® RESIDENTIAL PENDENT SPRINKLER VK430 (K4.3)

The Viking Corporation, 210 N Industrial Park Drive, Hastings MI 49058

Telephone: 269-945-9501 Technical Services 877-384-5464 Fax: 269-945-4495 Email: techsvcs@vikingcorp.com

Sprinkler Cabinets:

- A. Six-head capacity: Part No. 01724A (available since 1971)
- B. Twelve-head capacity: Part No. 01725A (available since 1971)

4. INSTALLATION

Refer to appropriate NFPA Installation Standards.

5. OPERATION

During fire conditions, the heat-sensitive liquid in the glass bulb expands, causing the glass to shatter, releasing the pip cap and sealing spring assembly. Water flowing through the sprinkler orifice strikes the sprinkler deflector, forming a uniform spray pattern to extinguish or control the fire.

6. INSPECTIONS, TESTS AND MAINTENANCE

Refer to NFPA 25 for Inspection, Testing and Maintenance requirements.

7. AVAILABILITY

The Viking Model VK430 Sprinkler is available through a network of domestic and international distributors. See The Viking Corporation web site for the closest distributor or contact The Viking Corporation.

8. GUARANTEE

For details of warranty, refer to Viking's current list price schedule or contact Viking directly.

TABLE 1: AVAILABLE SPRINKLER TEMPERATURE RATINGS AND FINISHES

| Sprinkler Temperature Classification | Sprinkler Nominal Temperature Rating ¹ | Maximum Ambient Ceiling Temperature ² | Bulb Color |
|--------------------------------------|---|--|------------|
| Ordinary | 155 °F (68 °C) | 100 °F (38 °C) | Red |
| Intermediate | 175 °F (79 °C) | 150 °F (65 °C) | Yellow |

Sprinkler Finishes: Brass, Chrome-Enloy® (patents pending), White, and Black

Footnotes

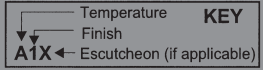
¹ The sprinkler temperature rating is stamped on the deflector.

² Based on NFPA-13. Other limits may apply, depending on fire loading, sprinkler location, and other requirements of the Authority Having Jurisdiction. Refer to specific installation standards.

| | | |
|---|-----------------------|--|
|  | TECHNICAL DATA | FREEDOM® RESIDENTIAL PENDENT SPRINKLER VK430 (K4.3) |
|---|-----------------------|--|

The Viking Corporation, 210 N Industrial Park Drive, Hastings MI 49058
 Telephone: 269-945-9501 Technical Services 877-384-5464 Fax: 269-945-4495 Email: techsvcs@vikingcorp.com

| Approval Chart Residential Pendent Sprinkler VK430 For systems designed to NFPA 13D or NFPA 13R. | | | | | | | | | | |
|---|--|-------|--|-----------------|----|--|---------------------|--------------------------------|----------------|------------------|
| Sprinkler Base Part Number ¹ | | SIN | | NPT Thread Size | | Nominal K-Factor | | Maximum Water Working Pressure | Overall Length | |
| | | | | Inches | mm | U.S. | metric ² | | Inches | mm |
| 09530 | | VK430 | | 1/2 | 15 | 4.3 | 62 | 175 psi (12 bar) | 2-1/4 | 58 |
| Maximum Areas of Coverage ⁴ | | | Minimum Water Supply Requirements ⁴ | | | Listings and Approvals ³ (Refer also to Design Criteria on page 141s.) | | | | |
| | | | | | | cULus ^{5,6} | | NYC ⁸ | | NSF ⁹ |
| Installed below smooth, flat, horizontal ceilings, including ceilings with slopes up to and including 2/12 (9.5°). | | | | | | | | | | |
| 12 ft. x 12 ft. (3.7 m x 3.7 m) | | | 12 gpm @ 7.8 psi (45.4 L/min @ 0.54 bar) | | | A1X | | A1X | | A1X |
| 14 ft. x 14 ft. (4.3 m x 4.3 m) | | | 13 gpm @ 9.1 psi (49.2 L/min @ 0.63 bar) | | | A1X | | A1X | | A1X |
| 16 ft. x 16 ft. (4.9 m x 4.9 m) | | | 13 gpm @ 9.1 psi (49.2 L/min @ 0.63 bar) | | | A1X | | A1X | | A1X |
| 18 ft. x 18 ft. (5.5 m x 5.5 m) | | | 17 gpm @ 15.6 psi (64.4 L/min @ 1.08 bar) | | | A1X | | A1X | | A1X |
| 20 ft. x 20 ft. (6.1 m x 6.1 m) | | | 21 gpm @ 23.9 psi (79.5 L/min @ 1.64 bar) | | | A1X | | A1X | | A1X |
| Maximum Areas of Coverage ⁴ | | | Minimum Water Supply Requirements ⁴ | | | Listings and Approvals ³ (Refer also to Design Criteria on page 141s.) | | | | |
| | | | | | | UL | | NYC ⁸ | | NSF ⁹ |
| Installed below smooth, flat ceilings, with slopes up to and including 8/12 (33.7°)⁷. Refer to Figure 5. | | | | | | | | | | |
| 16 ft. x 16 ft. (4.9 m x 4.9 m) | | | 18 gpm @ 17.5 psi (68.1 L/min @ 1.21 bar) | | | A1X | | A1X | | A1X |
| Approved Temperature Ratings | | | Approved Finishes | | | Approved Escutcheons | | | | |
| A - 155 °F (68 °C) and 175 °F (79 °C) | | | 1 - Brass, Chrome-Enloy®, White, and Black ¹⁰ | | | X - Standard surface-mounted escutcheons or the Microfast® Model F-1 Adjustable Escutcheon ¹¹ , or recessed with the Micromatic® Model E-1 or E-2 Recessed Escutcheon | | | | |
| Footnotes | | | | | | | | | | |
| ¹ Part number shown is the base part number. For complete part number, refer to current Viking price list schedule. ² Metric K-factor measurement shown is when pressure is measured in Bar. When pressure is measured in kPa, divide the metric K-factor shown by 10.0. ³ This chart shows the listings and approvals available at the time of printing. Other approvals may be in process. Check with the manufacturer for any additional approvals. ⁴ For areas of coverage smaller than shown, use the "Minimum Water Supply Requirement" for the next larger area listed. Flows and pressures listed are per sprinkler. ⁵ Listed by Underwriter's Laboratories for use in the U.S. and Canada. ⁶ Listings are for residential occupancies with smooth, flat, horizontal ceilings. Includes ceilings with slopes up to and including a 2/12 (9.5°) pitch. ⁷ Listed area of coverage measured along ceiling. Consult Figure 5 and "Residential Installation Guide" paragraphs that pertain to sprinklers with listings for both smooth, flat, horizontal, and sloped ceilings for installation details. ⁸ Accepted for use, City of New York Department of Buildings, MEA Number 89-92-E, Vol. 24. ⁹ Tested and Certified by NSF to NSF/ANSI Standard 61, Drinking Water System Components. ¹⁰ Other paint colors are available on request with the same cULus Listings as the standard finish colors. ¹¹ The Microfast® Model F-1 Adjustable Escutcheon is considered a surface-mounted escutcheon because it does not allow the fusible element of the sprinkler to be recessed behind the face of the wall or ceiling. | | | | | | | | | | |





TECHNICAL DATA

FREEDOM® RESIDENTIAL
PENDENT SPRINKLER
VK430 (K4.3)

The Viking Corporation, 210 N Industrial Park Drive, Hastings MI 49058

Telephone: 269-945-9501 Technical Services 877-384-5464 Fax: 269-945-4495 Email: techsvcs@vikingcorp.com

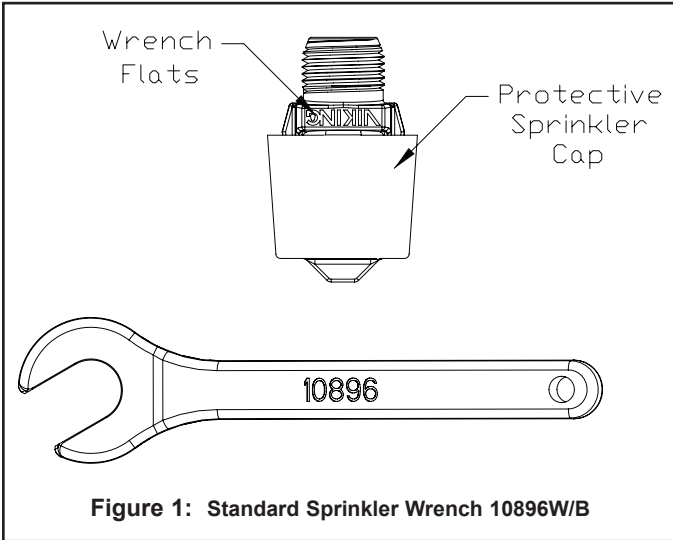


Figure 1: Standard Sprinkler Wrench 10896W/B

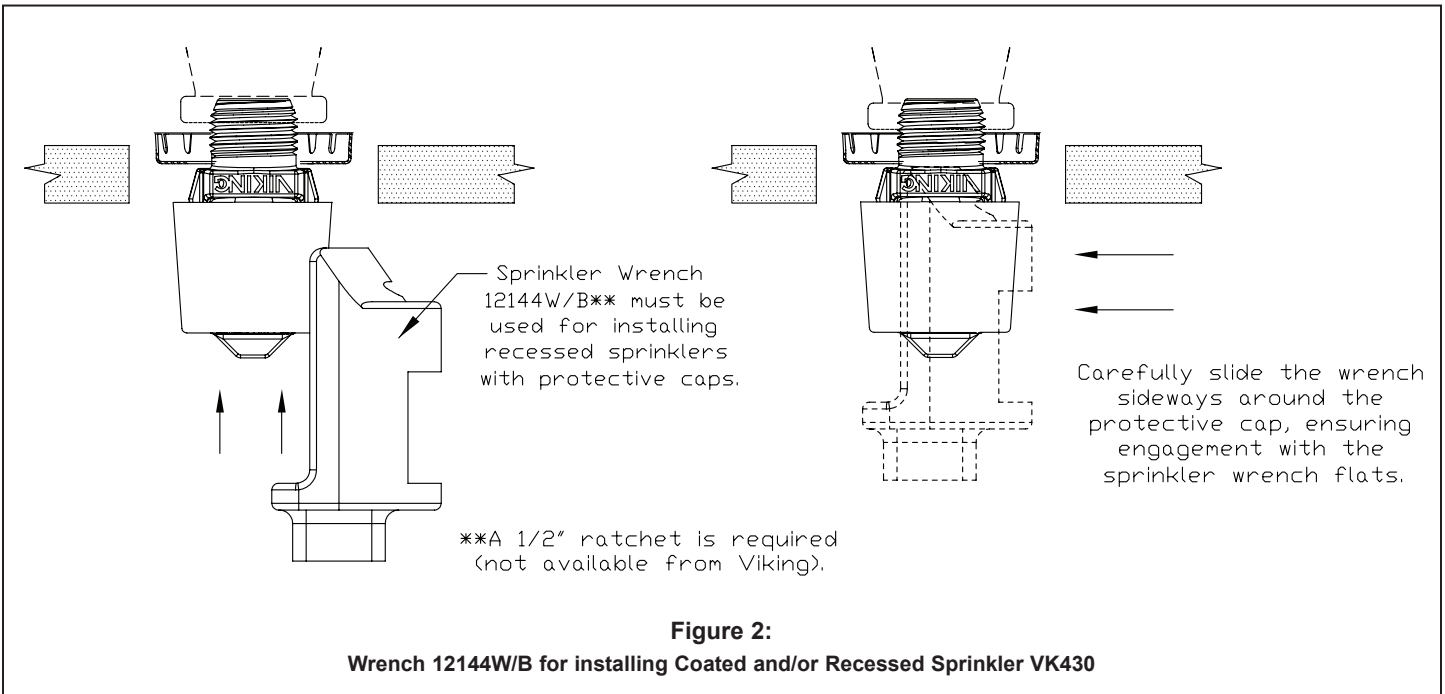


Figure 2:

Wrench 12144W/B for installing Coated and/or Recessed Sprinkler VK430



TECHNICAL DATA

**FREEDOM® RESIDENTIAL
PENDENT SPRINKLER
VK430 (K4.3)**

The Viking Corporation, 210 N Industrial Park Drive, Hastings MI 49058

Telephone: 269-945-9501 Technical Services 877-384-5464 Fax: 269-945-4495 Email: techsvcs@vikingcorp.com

DESIGN CRITERIA

(Also refer to the Approval Chart on page 141q.)

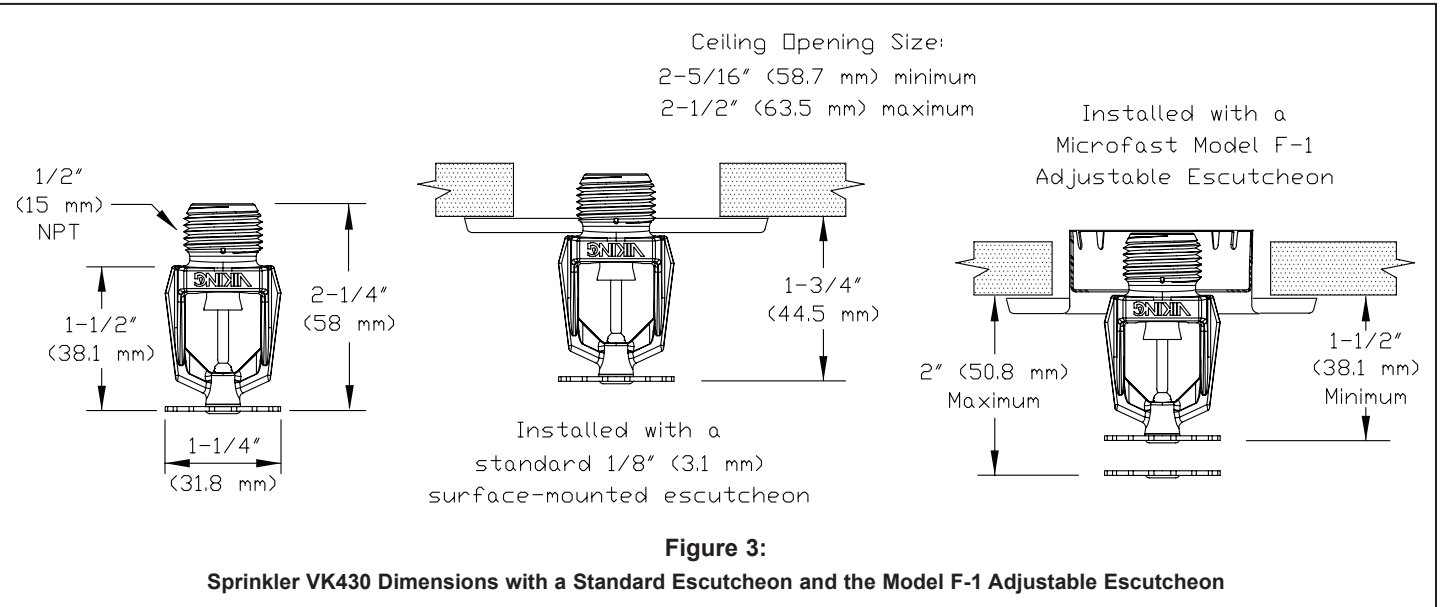
cULus Listing Requirements:

When using Viking Residential Pendent Sprinkler VK430 for systems designed to NFPA 13D or NFPA 13R, apply the listed areas of coverage and minimum water supply requirements shown in the Approval Chart on page 141q.

For systems designed to NFPA 13: The number of design sprinklers is to be the four contiguous most hydraulically demanding sprinklers. The minimum required discharge from each of the four sprinklers is to be the greater of the following:

- The flow rates given in the Approval Chart on data page 141q for NFPA 13D and NFPA13R applications for each listed area of coverage, **or**
- A minimum discharge of 0.1 gpm/ft² (4.07 mm/min) over the “design area” consisting of the four contiguous most hydraulically demanding sprinklers for the coverage areas being protected by the four sprinklers. NOTE: The $A_s = S \times L$ method must be used to determine the sprinkler protection area of coverage per NFPA 13.
- Minimum distance between residential sprinklers: 8 ft. (2.4 m).

IMPORTANT: Always refer to Bulletin Form No. F_091699 - Care and Handling of Sprinklers. Also refer to pages RES1-17 for general care, installation, and maintenance information. Viking sprinklers are to be installed in accordance with the latest edition of Viking technical data, the appropriate standards of NFPA and any other similar Authorities Having Jurisdiction, and also with the provisions of governmental codes, ordinances, and standards, whenever applicable. Final approval and acceptance of all residential sprinkler installations must be obtained from the Authorities Having Jurisdiction.





TECHNICAL DATA

**FREEDOM® RESIDENTIAL
PENDENT SPRINKLER
VK430 (K4.3)**

The Viking Corporation, 210 N Industrial Park Drive, Hastings MI 49058

Telephone: 269-945-9501 Technical Services 877-384-5464 Fax: 269-945-4495 Email: techsvcs@vikingcorp.com

