



Section Q
Firecycle® Systems

TABLE OF CONTENTS

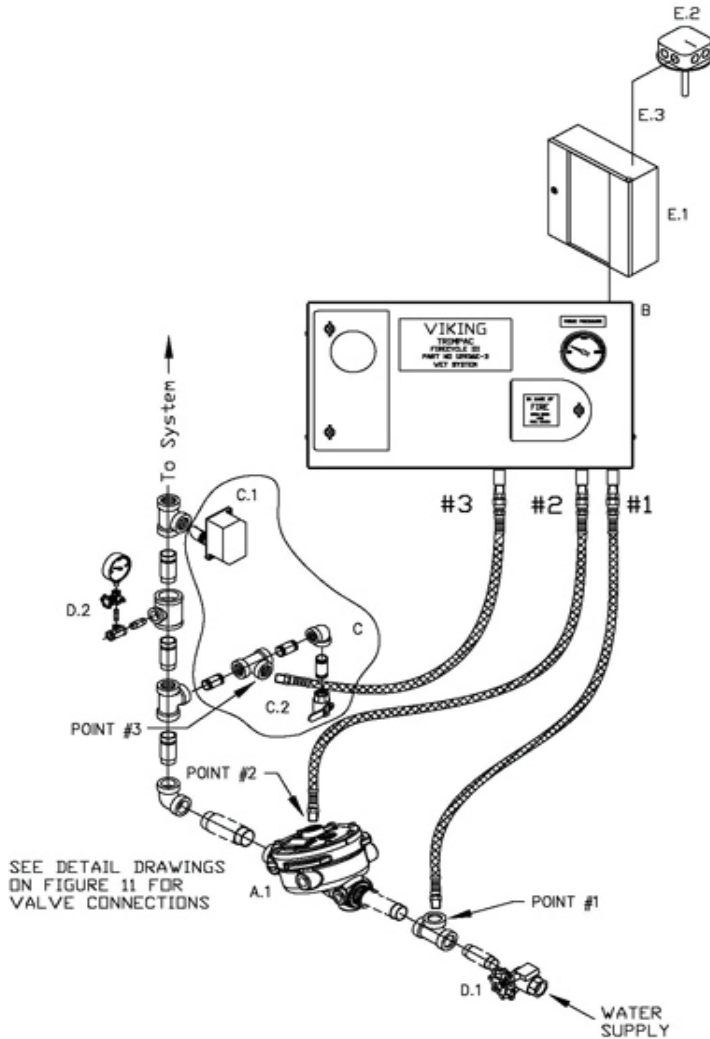
Firecycle® III – WET SYSTEM	Q-1 – Q-2
Firecycle® III – DELUGE SYSTEM	Q-3 – Q-4
Firecycle® III – PREACTION SYSTEM	Q-5 – Q-6
Components and Accessories	Q-7 – Q-8
Alarm Devices.....	Q-9

Notes

1. Refer to Viking technical data pages for complete product specifications. You may print or download technical data by visiting www.vikinggroupinc.com.
2. List prices effective May 3, 2010. Supersedes September 2008 list price book.
3. All sales by Viking are subject to the terms & conditions found on the last page of this book.

Firecycle® is a registered trademark of The Viking Corporation

Firecycle® System - WET



Description	
A.1	Model J flow control valve
B	TrimPac® (includes following items) Firecycle® cycling wet trim (conventional) Release trim Flexible hose kit
C	TrimPac® drain package (order separately) C.1 Water flow and alarm switch C.2 System main drain valve
D	Riser D.1 Water supply control valve D.2 System water supply gauge & valve
E	Release system E.1 Release control panel (order separately) E.2 Firecycle detector E.3 Firecycle cable

TrimPac can be used with either straight through or angle style valves (straight through shown)

Model J Flow Control Valve* - STRAIGHT THROUGH

IPG 25.5	1-1/2"	2"	2-1/2"	3"	4"	6"	8"
Thread X Thread	<u>12130</u> \$2,470.89	<u>12063</u> #N/A	<u>12405</u> #N/A	N/A	N/A	N/A	N/A
Flange X Flange	N/A	N/A	N/A	<u>12016</u> \$3,233.11	<u>11968</u> \$4,074.03	<u>11970</u> \$5,439.76	<u>11993</u> \$11,719.55
Flange X Groove	N/A	N/A	N/A	<u>12020</u> \$3,233.11	<u>11967</u> \$4,074.03	<u>11969</u> \$5,439.76	N/A
Groove X Groove	<u>12129</u> \$2,470.89	<u>12061</u> \$2,550.24	<u>12407</u> \$3,233.11	<u>12024</u> \$3,233.11	<u>11516</u> \$4,074.03	<u>11527</u> \$5,439.76	<u>11019</u> \$10,273.17

Model H Flow Control Valve* - ANGLE STYLE

IPG 25.5	1-1/2"	2"	3"	4"	6"
Thread X Thread	<u>09894</u> \$1,135.94	<u>05856C</u> \$2,598.36	N/A	N/A	N/A
Flange X Flange	N/A	N/A	<u>05914C</u> \$3,294.12	<u>05911C</u> \$4,150.89	<u>05908C</u> \$5,542.40
Flange X Groove	N/A	N/A	<u>05837C</u> \$3,294.12	<u>05841C</u> \$4,150.89	<u>05458C</u> \$5,542.40

See page O-17 for Halar® coated valves

* Valve is not included in trim packages. Please order separately. See following page for trim packages and equipment.

Firecycle® System - WET

Viking's Firecycle® systems are available in TrimPac arrangement only. Loose or modular trim not offered.

TrimPac® (IPG V25.2A)

GALVANIZED Trim	1-1/2"	2"	2-1/2"	3"	4"	6"	8"
Cycling Wet System	<u>12936E-3</u>	<u>12936E-3</u>	<u>12936E-3</u>	<u>12936E-3</u>	<u>12936E-3</u>	<u>12936E-3</u>	<u>12936E-3</u>
	\$4,498.26	\$4,498.26	\$4,498.26	\$4,498.26	\$4,498.26	\$4,498.26	\$4,498.26
BRASS Trim	1-1/2"	2"	2-1/2"	3"	4"	6"	8"
Cycling Wet System	<u>12936E-3B</u>	<u>12936E-3B</u>	<u>12936E-3B</u>	<u>12936E-3B</u>	<u>12936E-3B</u>	<u>12936E-3B</u>	<u>12936E-3B</u>
	\$6,320.00	\$6,320.00	\$6,320.00	\$6,320.00	\$6,320.00	\$6,320.00	\$6,320.00

TrimPac includes conventional trim, (1) NO solenoid valve, (1) NC solenoid valve, releasing trim, and flexible hose kit.
Drain package for TrimPac must be ordered separately (see below).

Drain Package

IPG V25.4E	1-1/2"	2"	2-1/2"	3"	4"	6"	8"
Use with TrimPac®	11894-1	11894-2	11894-3	11894-3	11894-4	11894-4	11894-4
(order separately)	\$343.91	\$278.17	\$315.25	\$315.25	\$404.60	\$404.60	\$404.60



	1-1/2"	2"	2-1/2"	3"	4"	6"	8"
Riser Check Valve and Trim (IPG V25.3 / V25.3A)							
Riser Check Valve	10659	10667	N/A	N/A	N/A	N/A	N/A
Threaded	\$443.63	\$443.63					
Riser Check Valve	N/A	N/A	N/A	<u>08505</u>	<u>08508</u>	<u>08511</u>	N/A
Flange / Flange				\$748.43	\$771.15	\$1,271.50	
Riser Check Valve	N/A	N/A	N/A	<u>08506</u>	<u>08509</u>	<u>08512</u>	<u>08515</u>
Flange / Groove				\$634.75	\$653.34	\$1,081.27	\$2,040.58
Riser Check Valve	<u>11054</u>	<u>11059</u>	<u>07929</u>	<u>08507</u>	<u>08510</u>	<u>08513</u>	<u>08516</u>
Groove / Groove	\$443.63	\$512.92	\$539.61	\$539.61	\$539.61	\$998.59	\$1,885.56
Riser Check Valve Trim	<u>12960</u>	<u>12960</u>	<u>13776</u>	<u>13776</u>	<u>13777</u>	<u>13777</u>	<u>13777</u>
(For Preaction)	\$147.24	\$147.24	\$368.86	\$368.86	\$389.91	\$389.91	\$389.91
Riser Check Valve Trim	<u>12960-1</u>	<u>12960-1</u>	N/A	N/A	N/A	N/A	N/A
BRASS	\$248.94	\$248.94					

* Riser check valve trim includes system main drain valve and air pressure gauge.

Accessories for TrimPac®

Air Line Trim			Replacement Hose			Riser Mounting Kit		
(not for use with Deluge TrimPac System)			<u>Flexible/braided</u>	11895	\$224.20	(when mounting TrimPac to riser)		
<u>Tank Mounted</u>	13770	\$1,200.57	(5' length, stainless steel / Teflon®)			<u>Vertical</u>	11900	\$660.81
<u>Tankless</u>	13771	\$421.25	<u>PVC drain hose</u>	12071	\$95.16	<u>Horizontal</u>	11901	\$908.65
		<u>IPG V25.2A</u>			<u>IPG V25.2A</u>			<u>IPG V25.2A</u>

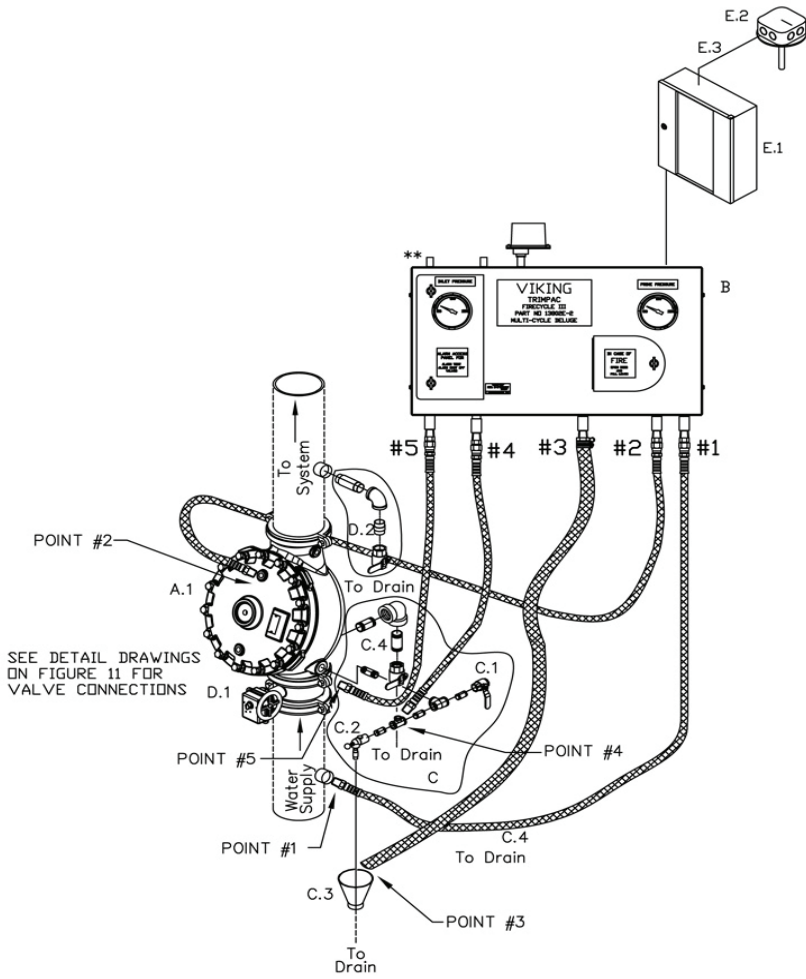
Firecycle® Detectors*

Firecycle III-OH Detectors				V25.6	Firecycle II and III Detectors				V25.6
<u>Flush Mount</u>					<u>Use with aluminum clad cable</u>				
	11723	140°F / 60°C	\$421.47		04711A	140°F / 60°C	\$1,112.81		
	11724	160°F / 71°C	\$421.47		04717A	160°F / 71°C	\$1,112.81		
	11725	190°F / 88°C	\$421.47		04718A	190°F / 88°C	\$1,112.81		
	11726	225°F / 107°C	\$421.47		04719A	225°F / 107°C	\$1,112.81		
<u>Surface Mount</u>					<u>Use with cable in conduit</u>				
	11727	140°F / 60°C	\$421.47		08288	140°F / 60°C	\$1,043.28		
	11728	160°F / 71°C	\$421.47		08289	160°F / 71°C	\$1,043.28		
	11729	190°F / 88°C	\$421.47		08290	190°F / 88°C	\$1,043.28		
	11730	225°F / 107°C	\$421.47		08291	225°F / 107°C	\$1,043.28		

* Firecycle detectors can be installed in finished ceilings using recessed escutcheon. See data book for installation instructions

* See pages Q-7 - Q-9 for additional accessories and related components

Firecycle® System - DELUGE



Description	
A.1	Model J flow control valve
B	TrimPac® (includes following items) Firecycle® deluge trim (conventional) Release trim Flexible hose kit
C	TrimPac® drain package (order separately)
C.1	Auxiliary drain valve (normally closed)
C.2	Drip check valve
C.3	Drain cup
C.4	Flow test valve (normally closed)
D	Riser
D.1	Water supply control valve
D.2	System main drain
E	Release system
E.1	Release control panel (order separately)
E.2	Firecycle detector
E.3	Detector cables

TrimPac can be used with either straight through or angle style valves (straight through shown)

Model J Flow Control Valve* - STRAIGHT THROUGH

IPG 25.5	1-1/2"	2"	2-1/2"	3"	4"	6"	8"
Thread X Thread	<u>12130</u> \$2,470.89	<u>12063</u> #N/A	<u>12405</u> #N/A	N/A	N/A	N/A	N/A
Flange X Flange	N/A	N/A	N/A	<u>12016</u> \$3,233.11	<u>11968</u> \$4,074.03	<u>11970</u> \$5,439.76	<u>11993</u> \$11,719.55
Flange X Groove	N/A	N/A	N/A	<u>12020</u> \$3,233.11	<u>11967</u> \$4,074.03	<u>11969</u> \$5,439.76	N/A
Groove X Groove	<u>12129</u> \$2,470.89	<u>12061</u> \$2,550.24	<u>12407</u> \$3,233.11	<u>12024</u> \$3,233.11	<u>11516</u> \$4,074.03	<u>11527</u> \$5,439.76	<u>11019</u> \$10,273.17

Model H Flow Control Valve* - ANGLE STYLE

IPG 25.5	1-1/2"	2"	3"	4"	6"
Thread X Thread	<u>09894</u> \$1,135.94	<u>05856C</u> \$2,598.36	N/A	N/A	N/A
Flange X Flange	N/A	N/A	<u>05914C</u> \$3,294.12	<u>05911C</u> \$4,150.89	<u>05908C</u> \$5,542.40
Flange X Groove	N/A	N/A	<u>05837C</u> \$3,294.12	<u>05841C</u> \$4,150.89	<u>05458C</u> \$5,542.40

See page O-17 for Halar® coated valves

* Valve is not included in trim packages. Please order separately. See following page for trim packages and equipment.

Firecycle® System - DELUGE

Viking's Firecycle® systems are available in TrimPac arrangement only. Loose or modular trim not offered.

TrimPac® (IPG V25.2A)

GALVANIZED Trim	1-1/2"	2"	2-1/2"	3"	4"	6"	8"
Multicycle Deluge (includes release & trim)	<u>13802E-2</u> \$4,498.26	<u>13802E-2</u> \$4,498.26	<u>13802E-2</u> \$4,498.26	<u>13802E-2</u> \$4,498.26	<u>13802E-2</u> \$4,498.26	<u>13802E-2</u> \$4,498.26	<u>13802E-2</u> \$4,498.26
BRASS Trim	1-1/2"	2"	2-1/2"	3"	4"	6"	8"
Multicycle Deluge (includes release & trim)	<u>13802E-2B</u> \$6,320.00	<u>13802E-2B</u> \$6,320.00	<u>13802E-2B</u> \$6,320.00	<u>13802E-2B</u> \$6,320.00	<u>13802E-2B</u> \$6,320.00	<u>13802E-2B</u> \$6,320.00	<u>13802E-2B</u> \$6,320.00

TrimPac includes conventional trim, (1) NO solenoid valve, (1) NC solenoid valve, releasing trim, and flexible hose kit.

Drain package for TrimPac must be ordered separately (see below).

Drain Package

IPG V25.4E	1-1/2"	2"	2-1/2"	3"	4"	6"	8"
Use with TrimPac® (order separately)	<u>11894-1</u> \$343.91	<u>11894-2</u> \$278.17	<u>11894-3</u> \$315.25	<u>11894-3</u> \$315.25	<u>11894-4</u> \$404.60	<u>11894-4</u> \$404.60	<u>11894-4</u> \$404.60

1-1/2"	2"	2-1/2"	3"	4"	6"	8"
--------	----	--------	----	----	----	----

Riser Check Valve and Trim (IPG V25.3 / V25.3A)




Riser Check Valve Threaded	<u>10659</u> \$443.63	<u>10667</u> \$443.63	N/A	N/A	N/A	N/A	N/A
Riser Check Valve Flange / Flange	N/A	N/A	N/A	<u>08505</u> \$748.43	<u>08508</u> \$771.15	<u>08511</u> \$1,271.50	N/A
Riser Check Valve Flange / Groove	N/A	N/A	N/A	<u>08506</u> \$634.75	<u>08509</u> \$653.34	<u>08512</u> \$1,081.27	<u>08515</u> \$2,040.58
Riser Check Valve Groove / Groove	<u>11054</u> \$443.63	<u>11059</u> \$512.92	<u>07929</u> \$539.61	<u>08507</u> \$539.61	<u>08510</u> \$539.61	<u>08513</u> \$998.59	<u>08516</u> \$1,885.56
Riser Check Valve Trim (For Preaction)	<u>12960</u> \$147.24	<u>12960</u> \$147.24	<u>13776</u> \$368.86	<u>13776</u> \$368.86	<u>13777</u> \$389.91	<u>13777</u> \$389.91	<u>13777</u> \$389.91
Riser Check Valve Trim BRASS	<u>12960-1</u> \$234.85	<u>12960-1</u> \$234.85	N/A	N/A	N/A	N/A	N/A

* Riser check valve trim includes system main drain valve and air pressure gauge.

Select TrimPac® Accessories*

Replacement Hose		V25.2A	Riser Mounting Kit		V25.2A
Flexible braided hose (5' length, stainless steel / Teflon®)	11895	\$224.20	(use when mounting TrimPac unit to riser)		
PVC drain hose	12071	\$95.16	Vertical	11900	\$660.82
			Horizontal	11901	\$908.65

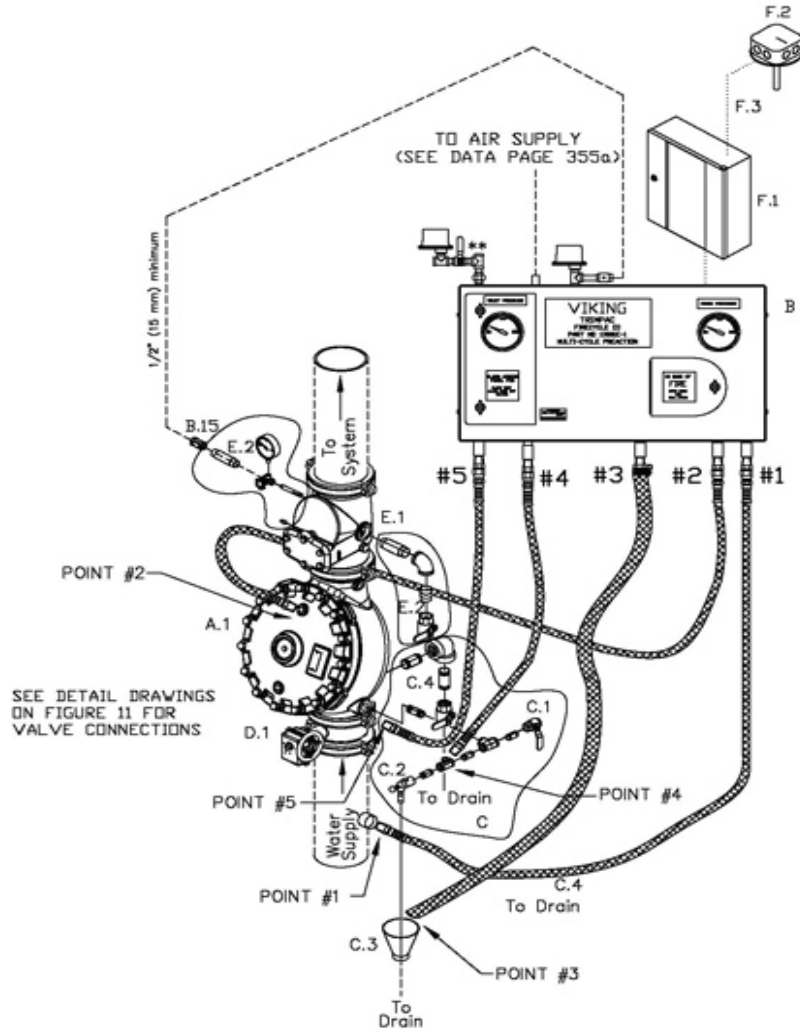
Firecycle® Detectors*

Firecycle III-OH Detectors			V25.6	Firecycle II and III Detectors			V25.6
<u>Flush Mount</u>				<u>Use with aluminum clad cable</u>			
	11723	140°F / 60°C	\$421.47		04711A	140°F / 60°C	\$1,112.81
	11724	160°F / 71°C	\$421.47		04717A	160°F / 71°C	\$1,112.81
	11725	190°F / 88°C	\$421.47		04718A	190°F / 88°C	\$1,112.81
	11726	225°F / 107°C	\$421.47		04719A	225°F / 107°C	\$1,112.81
<u>Surface Mount</u>				<u>Use with cable in conduit</u>			
	11727	140°F / 60°C	\$421.47		08288	140°F / 60°C	\$1,043.28
	11728	160°F / 71°C	\$421.47		08289	160°F / 71°C	\$1,043.28
	11729	190°F / 88°C	\$421.47		08290	190°F / 88°C	\$1,043.28
	11730	225°F / 107°C	\$421.47		08291	225°F / 107°C	\$1,043.28

* Firecycle detectors can be installed in finished ceilings using recessed escutcheon. See data book for installation instructions

* See pages Q-7 - Q-9 for additional accessories and related components

Firecycle® System - PREACTION - Single/Double Interlocked



Description	
A.1	Model J flow control valve
B	TrimPac® (includes following items) Firecycle® preaction trim (conventional) Release trim Flexible hose kit
C	TrimPac® drain package (order separately)
C.1	Auxiliary drain valve (normally closed)
C.2	Drip check valve
C.3	Drain cup
C.4	Flow test valve (normally closed)
D	Riser
D.1	Water supply control valve
E	Check valve (order separately)
E.1	Easy Riser® check valve
E.2	Check valve trim (order separately)
E	Release system
E.1	Release control panel (order separately)
E.2	Firecycle detector
E.3	Firecycle cable

TrimPac can be used with either straight through or angle style valves (straight through shown)

Model J Flow Control Valve* - STRAIGHT THROUGH

IPG 25.5	1-1/2"	2"	2-1/2"	3"	4"	6"	8"
Thread X Thread	<u>12130</u> \$2,470.89	<u>12063</u> #N/A	<u>12405</u> #N/A	N/A	N/A	N/A	N/A
Flange X Flange	N/A	N/A	N/A	<u>12016</u> \$3,233.11	<u>11968</u> \$4,074.03	<u>11970</u> \$5,439.76	<u>11993</u> \$11,719.55
Flange X Groove	N/A	N/A	N/A	<u>12020</u> \$3,233.11	<u>11967</u> \$4,074.03	<u>11969</u> \$5,439.76	N/A
Groove X Groove	<u>12129</u> \$2,470.89	<u>12061</u> \$2,550.24	<u>12407</u> \$3,233.11	<u>12024</u> \$3,233.11	<u>11516</u> \$4,074.03	<u>11527</u> \$5,439.76	<u>11019</u> \$10,273.17

Model H Flow Control Valve* - ANGLE STYLE

IPG 25.5	1-1/2"	2"	3"	4"	6"
Thread X Thread	<u>09894</u> \$1,135.94	<u>05856C</u> \$2,598.36	N/A	N/A	N/A
Flange X Flange	N/A	N/A	<u>05914C</u> \$3,294.12	<u>05911C</u> \$4,150.89	<u>05908C</u> \$5,542.40
Flange X Groove	N/A	N/A	<u>05837C</u> \$3,294.12	<u>05841C</u> \$4,150.89	<u>05458C</u> \$5,542.40

See page O-17 for Halar® coated valves

* Valve is not included in trim packages. Please order separately. See following page for trim packages and equipment.

Firecycle® system - PREACTION - Single/Double Interlocked

Viking's Firecycle® systems are available in TrimPac arrangement only. Loose or modular trim not offered.

TrimPac® (IPG V25.2A)

GALVANIZED Trim	1-1/2"	2"	2-1/2"	3"	4"	6"	8"
Single/Double Interlock <i>(includes release & trim)</i>	<u>13801E-1</u> \$4,498.26	<u>13801E-1</u> \$4,498.26	<u>13801E-1</u> \$4,498.26	<u>13801E-1</u> \$4,498.26	<u>13801E-1</u> \$4,498.26	<u>13801E-1</u> \$4,498.26	<u>13801E-1</u> \$4,498.26
BRASS Trim	1-1/2"	2"	2-1/2"	3"	4"	6"	8"
Single/Double Interlock <i>(includes release & trim)</i>	<u>13801E-1B</u> \$6,320.00	<u>13801E-1B</u> \$6,320.00	<u>13801E-1B</u> \$6,320.00	<u>13801E-1B</u> \$6,320.00	<u>13801E-1B</u> \$6,320.00	<u>13801E-1B</u> \$6,320.00	<u>13801E-1B</u> \$6,320.00

Includes conventional trim, (1)NO solenoid valve, (1)NC solenoid valve, pneumatic actuator, releasing trim, and flexible hose kit.
Drain package for TrimPac must be ordered separately (see below).

Drain Package

IPG V25.4E	1-1/2"	2"	2-1/2"	3"	4"	6"	8"
Use with TrimPac® <i>(order separately)</i>	<u>11894-1</u> \$343.91	<u>11894-2</u> \$278.17	<u>11894-3</u> \$315.25	<u>11894-3</u> \$315.25	<u>11894-4</u> \$404.60	<u>11894-4</u> \$404.60	<u>11894-4</u> \$404.60

1-1/2"	2"	2-1/2"	3"	4"	6"	8"
---------------	-----------	---------------	-----------	-----------	-----------	-----------

Riser Check Valve and Trim (IPG V25.3 / V25.3A)




Riser Check Valve Threaded	<u>10659</u> \$443.63	<u>10667</u> \$443.63	N/A	N/A	N/A	N/A	N/A
Riser Check Valve Flange / Flange	N/A	N/A	N/A	<u>08505</u> \$748.43	<u>08508</u> \$771.15	<u>08511</u> \$1,271.50	N/A
Riser Check Valve Flange / Groove	N/A	N/A	N/A	<u>08506</u> \$634.75	<u>08509</u> \$653.34	<u>08512</u> \$1,081.27	<u>08515</u> \$2,040.58
Riser Check Valve Groove / Groove	<u>11054</u> \$443.63	<u>11059</u> \$512.92	<u>07929</u> \$539.61	<u>08507</u> \$539.61	<u>08510</u> \$539.61	<u>08513</u> \$998.59	<u>08516</u> \$1,885.56
Riser Check Valve Trim <i>(For Preaction)</i>	<u>12960</u> \$147.24	<u>12960</u> \$147.24	<u>13776</u> \$368.86	<u>13776</u> \$368.86	<u>13777</u> \$389.91	<u>13777</u> \$389.91	<u>13777</u> \$389.91
Riser Check Valve Trim BRASS	<u>12960-1</u> \$234.85	<u>12960-1</u> \$234.85	N/A	N/A	N/A	N/A	N/A

* Riser check valve trim includes system main drain valve and air pressure gauge.

Accessories for TrimPac®

Air Line Trim			Replacement Hose		Riser Mounting Kit	
<i>(not for use with Deluge TrimPac System)</i>			<u>Flexible/braided</u>	11895	\$224.20	<i>(when mounting TrimPac to riser)</i>
<u>Tank Mounted</u>	13770	\$1,200.57	<i>(5' length, stainless steel / Teflon®)</i>			<u>Vertical</u>
<u>Tankless</u>	13771	\$421.25	<u>PVC drain hose</u>	12071	\$95.16	<u>Horizontal</u>
		IPG V25.2A				
						IPG V25.2A



Firecycle® Detectors*

Firecycle III-OH Detectors			V25.6	Firecycle II and III Detectors			V25.6
<u>Flush Mount</u>				<u>Use with aluminum clad cable</u>			
	11723	140°F / 60°C	\$421.47		04711A	140°F / 60°C	\$1,112.81
	11724	160°F / 71°C	\$421.47		04717A	160°F / 71°C	\$1,112.81
	11725	190°F / 88°C	\$421.47		04718A	190°F / 88°C	\$1,112.81
	11726	225°F / 107°C	\$421.47		04719A	225°F / 107°C	\$1,112.81
<u>Surface Mount</u>				<u>Use with cable in conduit</u>			
	11727	140°F / 60°C	\$421.47		08288	140°F / 60°C	\$1,043.28
	11728	160°F / 71°C	\$421.47		08289	160°F / 71°C	\$1,043.28
	11729	190°F / 88°C	\$421.47		08290	190°F / 88°C	\$1,043.28
	11730	225°F / 107°C	\$421.47		08291	225°F / 107°C	\$1,043.28

* Firecycle detectors can be installed in finished ceilings using recessed escutcheon. See data book for installation instructions

* See pages Q-7 - Q-9 for additional accessories and related components


Accessories for Firecycle® Systems

Firecycle® Detectors*				
Firecycle III-OH Detectors		V25.6	Firecycle II and III Detectors	V25.6
<u>Flush Mount</u>			<u>Use with aluminum clad cable</u>	
	11723 140°F / 60°C	\$421.47	04711A 140°F / 60°C	\$1,112.81
	11724 160°F / 71°C	\$421.47	04717A 160°F / 71°C	\$1,112.81
	11725 190°F / 88°C	\$421.47	04718A 190°F / 88°C	\$1,112.81
	11726 225°F / 107°C	\$421.47	04719A 225°F / 107°C	\$1,112.81
<u>Surface Mount</u>			<u>Use with cable in conduit</u>	
	11727 140°F / 60°C	\$421.47	08288 140°F / 60°C	\$1,043.28
	11728 160°F / 71°C	\$421.47	08289 160°F / 71°C	\$1,043.28
	11729 190°F / 88°C	\$421.47	08290 190°F / 88°C	\$1,043.28
	11730 225°F / 107°C	\$421.47	08291 225°F / 107°C	\$1,043.28

NOTE - Firecycle detectors can be installed in finished ceilings using recessed escutcheon. See data book for installation instructions

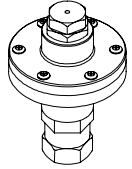

(1) Special colors available upon request for additional charge.


(2) Includes mounting nuts and ceramic wire nuts

RELEASE CONTROL PANEL (VFR-400)			IPG V27		
VFR-400 Release Control Panel					
<ul style="list-style-type: none"> - Multi-hazard operation - Features on board, menu driven programming - Four Class B initiating circuits - Two Class B supervisory circuits** - Four Class B output circuits - Programmable cross zoning - 12 standard programs (program options for Viking preaction, deluge, Surefire® and Firecycle® systems) 			<u>Part No.</u>	<u>List Price</u>	
			14152	\$2,658.68	
			* see below for accessories and optional modules		
Optional Modules / Accessories			<u>Part No.</u>	<u>List Price</u>	Batteries (two required per panel)
CA2Z Module (class A initiating device circuit):	14155	\$158.72			<u>Part No.</u> <u>List Price</u>
CAM2 Module (class A indicating appliance circuit):	14156	\$182.53		8 Amp	07920 \$144.79
ARM-1/ARM-2 Module (auxiliary relay module):	14157	\$230.16		12 Amp	07921 \$293.80
RA-4410-RC (remote annunciator):	14154	\$833.31		18 Amp	09867 \$533.22
	<u>Part No.</u>	<u>List Price</u>	Battery Cabinet		
MR-101/T SPDT Relay Module:	14159	\$93.25	<u>Part No.</u>	<u>List Price</u>	
MR-201 DPDT Relay Module:	14160	\$117.06	09866	\$502.45	
MR801/T SPDT Relay w/Led Indicator:	14161	\$49.60			
ELOD Resistor/Diode:	14162	\$23.81			
ELOR Resistor:	14163	\$1.98			

CABLE - Firecycle III and III-OH				IPG V25.6	
<i>(for use in conduit or installed to a 2 hour fire rating)</i>					
18 Gauge FPL	11988	\$5.22	per foot	<i>(100 ft minimum order)</i>	
16 Gauge FPL	09954	\$8.25	per foot	<i>(100 ft minimum order)</i>	
Multi-Cycle Detector Cable	16472	\$19.63	per foot	<i>(100 ft minimum order)</i>	

Accessories for Firecycle® Systems

<p>Model D-2 - Air Pressure Maintenance Device</p>  <p>1/4" / DN8 02280C \$541.66</p> <p style="text-align: right;">IPG V25.1</p>	<p>Model D-2 - Air Pressure Maintenance Device (Complete with Trim)</p>  <p>1/2" / DN15 07459 \$829.61</p> <p style="text-align: right;">IPG V25.1</p>
<p>Dehydrator Package</p> <p>Includes:</p> <ul style="list-style-type: none"> - Desiccant <u>1/4" (DN8)</u> - Mounting Brackets 01285A \$1,117.02 - Nipples <u>Extra Desiccant*</u> 02535A \$252.91 <p>IPG V25.1 *one unit fills dehydrator</p>	<p>Filter Kit</p> <p>03007A \$28.10 IPG V25</p>

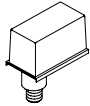
<p>Electric Bell</p>  <p>120V AC 8" / 200 mm 06368BA \$339.33</p> <p style="text-align: right;">IPG V25.6</p>	<p>Standby Battery IPG V25.6 (4 or 10 required)</p> <p>12V / 20amp (lead acid)</p> <p>04564A \$779.81</p> <p>Battery Cabinets</p> <p>4 battery capacity 04683C \$1,176.05</p> <p>10 battery capacity 04367C \$1,487.99</p>
--	---

Accessories for TrimPac®

<p>Air Line Trim</p> <p>(not for use with Deluge TrimPac System)</p> <p><u>Tank Mounted</u> 13770 \$1,200.57</p> <p><u>Tankless</u> 13771 \$421.25</p> <p style="text-align: right;">IPG V25.2A</p>	<p>Replacement Hose</p> <p><u>Flexible/braided</u> 11895 \$224.20 (5' length, stainless steel / Teflon®)</p> <p><u>PVC drain hose</u> 12071 \$95.16</p> <p style="text-align: right;">IPG V25.2A</p>	<p>Riser Mounting Kit</p> <p>(when mounting TrimPac to riser)</p> <p><u>Vertical</u> 11900 \$660.81</p> <p><u>Horizontal</u> 11901 \$908.65</p> <p style="text-align: right;">IPG V25.2A</p>
--	--	---

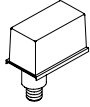
Alarm Devices

Alarm Pressure Switch - IPG V25.1

<u>Adjustable Range (4-20 psi)</u>			<u>Explosion Proof</u>			
<u>1/2" / DN50</u>			Dual SPDT	10382	\$1,020.11	
Single SPDT	PS101A	\$145.62	Dual SPDT	10381*	\$1,020.11	
Dual SPDT	PS102A	\$173.21	* Cenelec approved			
	<u>Cover Access Key</u>		<u>Pressure Adj Access Key</u>			
		09600	\$13.27		10600	\$17.71
	<u>Cover Tamper Switch Kit</u>			<u>Cover Removal Key</u>		
	09601	\$90.63		10601	\$17.71	

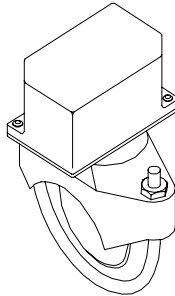
* Appropriate hex keys included with switches.

Pressure Supervisory Switch (Air, Nitrogen, Water) - IPG V25.1


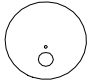
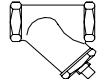
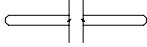
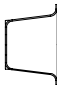
<u>Adjustable Range (10-175 psi)</u>			<u>Explosion Proof</u>			
<u>1/2" / DN50</u>			Dual SPDT	10380	\$1,167.61	
Single SPDT	PS401A	\$136.73	Dual SPDT	10379*	\$1,167.61	
Dual SPDT	PS402A	\$162.64	* Cenelec approved			
	<u>Cover Access Key</u>		<u>Pressure Adj Access Key</u>			
		09600	\$12.52		10600	\$17.71
	<u>Cover Tamper Switch Kit</u>			<u>Cover Removal Key</u>		
	09601	\$85.50		10601	\$17.71	

* Appropriate hex keys included with switches.

Flow Switch - SR010

<u>Waterflow Indicators</u>			
(adjustable retard up to 120 sec. - 2 SPDT contacts)			
<u>Model VSR</u>			
1½" / DN40	VSRF0150	\$222.74	
2" / DN50	VSRF0200	\$222.74	
2½" / DN65	VSRF0250	\$222.74	
3" / DN80	VSRF0300	\$222.74	
3½" / DN90	VSRF0350	\$222.74	
4" / DN100	VSRF0400	\$222.74	
5" / DN125	VSRF0500	\$222.74	
6" / DN150	VSRF0600	\$222.74	
8" / DN200	VSRF0800	\$251.09	
10" / DN250	VSRF1000	\$627.02	

Water Motor Alarm and Accessories - IPG V25.1

<u>Water Motor Alarm</u>		<u>Closure Plate</u>	
	<u>Model F-2</u>		
	07862	05820B	\$82.19
<u>Adjustable Shaft</u>		<u>Alarm Line Y Strainer</u>	
(wall thickness up to 30-1/4 in / 768 mm)			
	03312B	3/4" (DN20)	
	\$78.86	01489A	\$119.93
<u>Extension Cup</u>			
	05957B	\$65.77	